

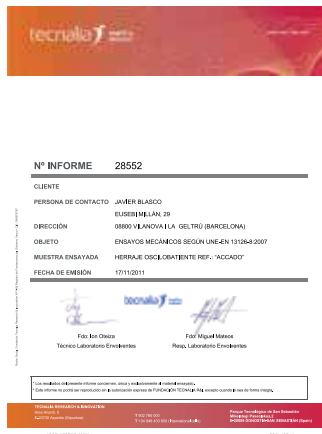
COVER

Table of Contents

Content	Chapter
Company	1
Use Information	2
Applications	3
Product Details	4
Installation & Adjustments	5
Side Hung, Sliding & Door Lock Systems	6
Handles	7
Hinges and Tilts	8
General Use Accessories	9
Locking Plates	10

ACCADO®

ACCESSORY SYSTEMS



ACCADO was established in Antalya in 2009 for unconditional satisfaction of PVC windows and doors sector clients in TURKEY . The total area of the factory is in the excess of 8000 m².

High levels of investment in technology and skilled employee is made in order to meet the demand of both domestic and foreign customers. Consistent high quality production, wide range of products, skilled technical support and the development of the modern logistics infrastructure assures the brand to hold a strong position among its competitors.

The production of the Tilt and Turn System starts at the end of the year 2010. With the new products and the automated manufacturing process the total area of the company reaches to 15.000.m² and a work force of 300 employees. Research and development and modern automated manufacturing present a powerful potential to meet the needs of clients.

ACCADO established a large-scale integrated factory in order to become the "**leader**" of manufacturing and sale of window and door fittings and accessories and continues manufacturing with its zinc-aluminium die-cast, sheet metal punching and bending (machines between 20 tons - 300 tons), plastic injection, electrostatic powder coating, wet painting and galvanic zinc coating departments.

The company is also granted with TSE certificates and also started the procedure of ISO 9001 and ISO 9000 certification.

Vision

"High Quality" - this is the first association that should arise from consumers at the mention of our brand.

ACCADO as the brand with its "High Quality" is going to settle on the world market as an immortal brand.

Mission

Providing high quality products and services equally to domestic and foreign consumers. Mentioned accessories ACCADO worldwide should be associated with high-tech products and professional service.

Export

Due to the latest technologies for producing accessories for windows and doors, ACCADO becomes a well known global brand and now is exporting to 26 countries.

In addition, many foreign trading companies operating in Turkey, send our products to their countries.

Quality Policy

ACCADO, which produce accessories for PVC windows and doors, create a new policy of quality management.

The principles of this policy:

With the joint participation of all our employees,

In collaboration with our customers,

Efficient use of resources

Compliance with national and international standards, without prejudice to our products and with high quality services

Conscious of continuous improvement and development,

Provide a high level of customer satisfaction.

Our company continues to develop its business and expanding our product range in the following directions;

- Aluminum handle groups
- Zink connection elements
- Tilt and turn system
- Side hung gears and door lock espagnolettes
- Sliding runners, steel fasteners, plastic products.

ACCADO doesn't do any difference between domestic and foreign market, provides high quality products and services on the way to world fame "produces accessories for windows and doors."

1

General information

1. Product information and specified application

According to this definition, side hung and tilt-turn hardware are one hand-operated window and door hardware which are used in building constructions. By turning one handle, it enables window and balcony door sashes to open into side hung position or into a limited ventilation position due to a scissors mechanism (sash-stay).

Side hung and tilt-turn hardware is used on vertically installed windows and balcony doors made of timber, pvc, aluminum or steel and their corresponding material combinations. Conventional side hung and tilt-turn hardware, as covered by this definition, locks window and balcony door sashes and enables various ventilating positions. When closing, the gasket counter force must be overcome as a rule. Differing applications do not correspond to its specified application.

Burglar-resistant windows and balcony doors, windows and balcony doors for damp rooms and those for use in environments with aggressive, corrosive air content, require hardware adapted for the respective application and individually agreed upon performance features.

2. Misuse

- When obstacles are inserted in the opening vicinity between frame and sash, thus preventing its proper specified use.
- When window and balcony door sashes are pressed adversatively or uncontrolled (for example by the wind) up against the window reveals, so that the hardware, the frame material or other individual window or balcony door sash components are damaged or destroyed and/or if consequential damage can arise.
- When additional loads put on windows or balcony door sashes (for example if children swing on the window or balcony door sash).
- When while closing the window and balcony door sashes, someone reaches into the rebate between the sash and frame (injury hazard).

3. Liability

The respective entire hardware set may only consist of hardware components from ACCADO. In the case of inappropriately assembled hardware, and/or in case of non-original accessory components and/or non factory-approved components, no liability is accepted.

4. Product Information

The main goal of the products which are produced for all sorts of PVC and timber windows, is to offer the customer the required comfort. Therefore in the product range, there are alternatives suitable to the customer's demands and window types.

The security levels of the products, which are produced on the basis of basic security systems, can be easily changed. In some cases the change of the locking plate is sufficient to alter the security level. In other instances, the level of security is increased by changing the products. For security reasons, it is beneficial that the windows and balcony doors are produced according to specifications.

For preventing the sash from closing because of wind power when in tilt position, a snapper is mounted on the products. The wrong operation safety device or the sash positioner, which prevent the sash from being wrongly operated, can also be mounted to the product. Furthermore the resistance capacity is enhanced and the products have been developed so that the mechanisms work smoothly.

All mechanisms used at windows and balcony doors are produced in silver colour.

5. Product Performance

The ACCADO hardware can be used on all sashes up to 100 kg, as a standard. When sash weight exceeds 100 kg it is advised that ACCADO is consulted and additional hardware is supplied.

The presentation of the application diagrams on page 2.3 show the relationship between the permissible sash rebate widths and sash rebate heights, depending on various glass weights and/or thicknesses.

The resulting sash rebate dimensions or sash formats (vertically or horizontally) - as well as the maximum sash weight- must not be exceeded under any circumstances.

6. Maintenance

Security relevant hardware components are to be examined at least once a year for stability and wear and tear. Depending on the requirements, the fixing screws are to be tightened and/or parts to be replaced. In addition to this, the following maintenance work is to be carried out annually:

- All movable parts and locking points of the side hung and tilt-turn hardware have to be controlled and greased.
- Only cleaning and maintenance agents, which do not damage the corrosion protection of the hardware components, are to be used.

The hardware adjustments -particularly in the vicinity of the corner pivot rest and the scissors - as well as replacing parts and the unhinging and hinging of the active sash are to be carried out by a specialist company.

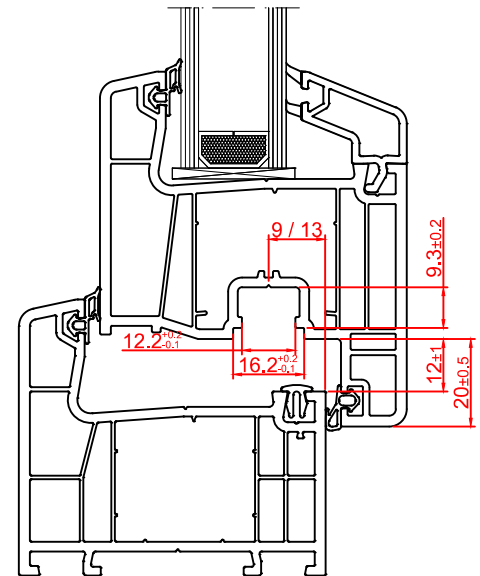


Fig. 1

Abbreviations

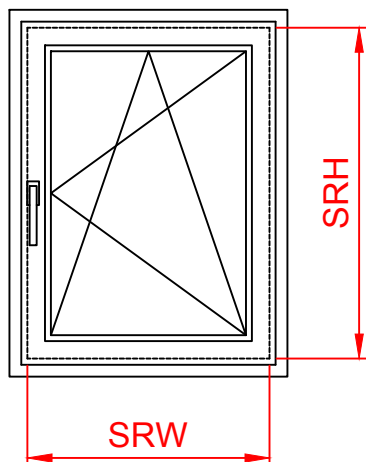
G	Gear position	PU	Packaging unit
GC	Gear Constant	SRH	Sash rebate height
GV	Gear Variable	SRW	Sash rebate width
ML	Middle Lock		

Product programme

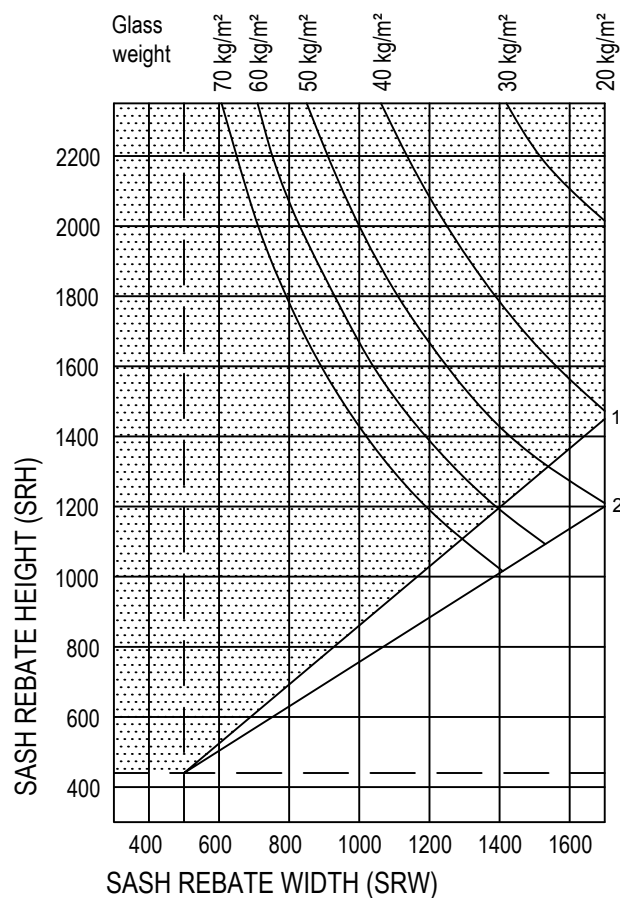
	Function	Hardware	SRW	SRH	Max. Sash Weight
	Tilt - Turn	ACCADO GV	290-1650	420-2200	130
		ACCADO GC	290-1650	420-2350	130
	Side hung	ACCADO GV	290-1650	420-2200	130
		ACCADO GC	290-1650	420-2350	130
	Double sash	ACCADO GV	290-1650	420-2200	130
		ACCADO GC	290-1650	420-2350	130
	Parallel slide & tilt	ACCADO GV	290-1650	420-2200	130

2

Application



- 1 : Use according to destination
- 2 : Use only for occasional cleaning purposes



Application schemes

SRH \ SRW	370 - 700	700 - 1150	1150 - 1650
420 - 700			
700 - 1450			
1450 - 2200			
2200 - 2350			



3

Description	ML	PU	Article Nr.				
Corner transmission	1	100	10004.0000.0.2				
Bottom extension	ML	PU	Article Nr.				
420 - 950	1	100	10003.0950.0.2				
950 - 2350	1	100	10003.2350.0.2				
Stay arm	SRW	Length	ML	PU	Article Nr.		
* 280 - 370		350	-	10	10008.0350.0.2		
370 - 480		350	-	10	10008.0350.0.2		
400 - 650		520	-	10	10008.0520.0.2		
450 - 700		570	-	10	10008.0570.0.2		
700 - 950		820	1	10	10008.0820.0.2		
950 - 1150		1020	1	10	10008.1020.0.2		
1150 - 1400		1270	1	10	10008.1270.0.2		
** 1400 - 1650		1270	1	10	10008.1270.0.2		
Extension piece	SRW	Length	ML	PU	Article Nr.		
1400 - 1650		500	1	10	10041.0500.0.2		
Gear	SRH	Length	KY	ML	PU	Article Nr. F15	Article Nr. F7,5
420 - 530		270	210 - 265	-	10	10001.0270.0.2	
530 - 700		440	265 - 350	-	10	10001.0440.0.2	10106.0440.0.2
700 - 1200		940	350 - 600	1	10	10001.0940.0.2	10106.0940.0.2
950 - 1450		1190	475 - 725	1	10	10001.1190.0.2	10106.1190.0.2
1200 - 1700		1440	600 - 850	2	10	10001.1440.0.2	10106.1440.0.2
1700 - 2200		1940	850 - 1100	2	10	10001.1940.0.2	10106.1940.0.2
Middle lock (ver.)	SRH	Length		ML	PU	Article Nr.	
700 - 1100		550		2	10	10009.0550.0.2	
1100 - 1300		750		2	10	10009.0750.0.2	
1300 - 1700		1100		3	10	10009.1100.0.2	
1700 - 2000		1450		3	10	10009.1450.0.2	
2000 - 2350		1800		4	10	10009.1800.0.2	
Middle lock (hor.)	SRW	Length		ML	PU	Article Nr.	
700 - 1100		550		2	10	10009.0550.0.2	
1100 - 1300		750		2	10	10009.0750.0.2	
1300 - 1650		1100		3	10	10009.1100.0.2	
Stay arm hinge 9 mm					100	10014.0009.0.2	
Stay arm hinge 13 mm					100	10014.0013.0.2	
Stay arm bearing					100	10013.0000.0.2	
Drill-in corner hinge					100	10016.0000.0.2	
Corner bearing					100	10015.0000.0.2	
Top hinge cover set					100	10042.0000.0.***	
Bottom hinge cover set					100	10043.0000.0.***	
Tilt locking plate					100	acc. to profile	
Locking plate					100	acc. to profile	
SRH / SRW	280 - 700	700 - 1300	1300 - 1400	1400 - 1650			
420 - 700	1	4	-	-			
700 - 1300	4	7	8	9			
1300 - 1450	5	8	9	10			
1450 - 2000	6	9	10	11			
2000 - 2200	7	10	11	12			

* SRW 280-370 is possible with Corner Transmission S (10006.0000.0.2).
 ** Extension piece 500 (10041.0500.0.2) is to be cut 250 mm.
 *** 1=White ; 2=Silver colour ; 3=Champagne ; 4=Gold colour ; 5=Bronze colour ; 6=Brown



Tilt & Turn - GV - Se Vertical Tilt

Description	ML	PU	Article Nr.				
Corner transmission 2 ml	2	100	10005.0000.0.2				
Bottom extension	SRH	ML	PU	Article Nr.			
420 - 950	1	100	10003.0950.0.2				
950 - 2350	1	100	10003.2350.0.2				
Stay arm Se	SRW	Length	ML	PU	Article Nr.		
* 280 - 370	350	-	10	10008.0350.0.2			
370 - 480	350	-	10	10008.0350.0.2			
400 - 650	520	-	10	10008.0520.0.2			
450 - 700	570	-	10	10008.0570.0.2			
700 - 950	820	1	10	10054.0820.0.2			
950 - 1150	1020	1	10	10054.1020.0.2			
1150 - 1400	1270	1	10	10054.1270.0.2			
** 1400 - 1650	1270	1	10	10054.1270.0.2			
Extension piece Se	SRW	Length	ML	PU	Article Nr.		
1400 - 1650	500	1	10	10063.0500.0.2			
Gear Se	SRH	Length	KY	ML	PU	Article Nr. K15	Article Nr. K7,5
420 - 530	270	210 - 265	-	10	10001.0270.0.2		
530 - 700	440	265 - 350	-	10	10001.0440.0.2		10106.0440.0.2
700 - 1200	940	350 - 600	1	10	10052.0940.0.2		10107.0940.0.2
950 - 1450	1190	475 - 725	1	10	10052.1190.0.2		10107.1190.0.2
1200 - 1700	1440	600 - 850	2	10	10052.1440.0.2		10107.1440.0.2
1700 - 2200	1940	850 - 1100	2	10	10052.1940.0.2		10107.1940.0.2
Middle lock Se (ver.)	SRH	Length	ML	PU	Article Nr.		
700 - 1100	550	2	10	10055.0550.0.2			
1100 - 1300	750	2	10	10055.0750.0.2			
1300 - 1700	1100	3	10	10055.1100.0.2			
1700 - 2000	1450	3	10	10055.1450.0.2			
2000 - 2350	1800	4	10	10055.1800.0.2			
Middle lock Se (hor.)	SRW	Length	ML	PU	Article Nr.		
700 - 1100	550	2	10	10055.0550.0.2			
1100 - 1300	750	2	10	10055.0750.0.2			
1300 - 1650	1100	3	10	10055.1100.0.2			
Stay arm hinge 9 mm				100	10014.0009.0.2		
Stay arm hinge 13 mm				100	10014.0013.0.2		
Stay arm bearing				100	10013.0000.0.2		
Drill-in corner hinge				100	10016.0000.0.2		
Corner bearing				100	10015.0000.0.2		
Top hinge cover set				100	10042.0000.0.***		
Bottom hinge cover set				100	10043.0000.0.***		
Tilt locking plate				100	acc. to profile		
Locking plate Se				100	acc. to profile		
SRH / SRW	280 - 700	700 - 1300	1300 - 1400	1400 - 1650			
420 - 700	2	5	-	-			
700 - 1300	5	8	9	10			
1300 - 1450	6	9	10	11			
1450 - 2000	7	10	11	12			
2000 - 2200	8	11	12	13			

* SRW 280-370 is possible with Corner Transmission S (10006.0000.0.2).
 ** Extension piece Se (10063.0500.0.2) is to be cut 250 mm.
 *** 1=White ; 2=Silver colour ; 3=Champagne ; 4=Gold colour ; 5=Bronze colour ; 6=Brown

3



Tilt & Turn - GV - Se Vertical Tilt

Description	ML	PU	Article Nr.				
Corner transmission 2 ml	2	100	10005.0000.0.2				
Bottom extension	SRH	ML	PU	Article Nr.			
420 - 950	1	100	10003.0950.0.2				
950 - 2350	1	100	10003.2350.0.2				
Stay arm Se	SRW	Length	ML	PU	Article Nr.		
* 280 - 370	350	-	10	10008.0350.0.2			
370 - 480	350	-	10	10008.0350.0.2			
400 - 650	520	-	10	10008.0520.0.2			
450 - 700	570	-	10	10008.0570.0.2			
700 - 950	820	1	10	10054.0820.0.2			
950 - 1150	1020	1	10	10054.1020.0.2			
1150 - 1400	1270	1	10	10054.1270.0.2			
** 1400 - 1650	1270	1	10	10054.1270.0.2			
Middle lock	SRW	Length	ML	PU	Article Nr.		
-	130	-	100	10009.0130.0.2			
Middle lock Se	SRW	Length	ML	PU	Article Nr.		
-	130	1	100	10009.0130.1.2			
Extension piece Se	SRW	Length	ML	PU	Article Nr.		
1400 - 1650	500	1	10	10063.0500.0.2			
Gear Se	SRH	Length	KY	ML	PU	Article Nr. F15	Article Nr. F7,5
420 - 530	270	210 - 265	-	10	10001.0270.0.2		
530 - 700	440	265 - 350	-	10	10001.0440.0.2		10106.0440.0.2
700 - 1200	940	350 - 600	1	10	10052.0940.0.2		10107.0940.0.2
950 - 1450	1190	475 - 725	1	10	10052.1190.0.2		10107.1190.0.2
1200 - 1700	1440	600 - 850	2	10	10052.1440.0.2		10107.1440.0.2
1700 - 2200	1940	850 - 1100	2	10	10052.1940.0.2		10107.1940.0.2
Vertical center gear	SRH	Length	ML	PU	Article Nr.		
530 - 700	440	-	10	10387.0440.0.2			
700 - 1200	940	-	10	10387.0940.0.2			
950 - 1450	1190	-	10	10387.1190.0.2			
1200 - 1700	1440	-	10	10387.1440.0.2			
1700 - 2200	1940	-	10	10387.1940.0.2			
Horizontal center gear	SRW	Length	ML	PU	Article Nr.		
450 - 700	440	-	10	10386.0440.0.2			
700 - 900	690	-	10	10386.0690.0.2			
900 - 1150	890	-	10	10386.0890.0.2			
1150 - 1400	1140	-	10	10386.1140.0.2			
1400 - 1650	1390	-	10	10386.1390.0.2			
Stay arm hinge 9 mm				100	10014.0009.0.2		
Stay arm hinge 13 mm				100	10014.0013.0.2		
Stay arm bearing				100	10013.0000.0.2		
Drill-in corner hinge				100	10016.0000.0.2		
Corner bearing				100	10015.0000.0.2		
Top hinge cover set				100	10042.0000.0.***		
Bottom hinge cover set				100	10043.0000.0.***		
Tilt locking plate				100	acc. to profile		
Locking plate Se				100	acc. to profile		
	SRH / SRW	280 - 700	700 - 1300	1300 - 1400	1400 - 1650		
Middle lock Se	420 - 700	2	5	-	-		
	700 - 1300	5	8	9	10		
	1300 - 1450	6	9	10	11		
	1450 - 2000	7	10	11	12		
	2000 - 2200	8	11	12	13		

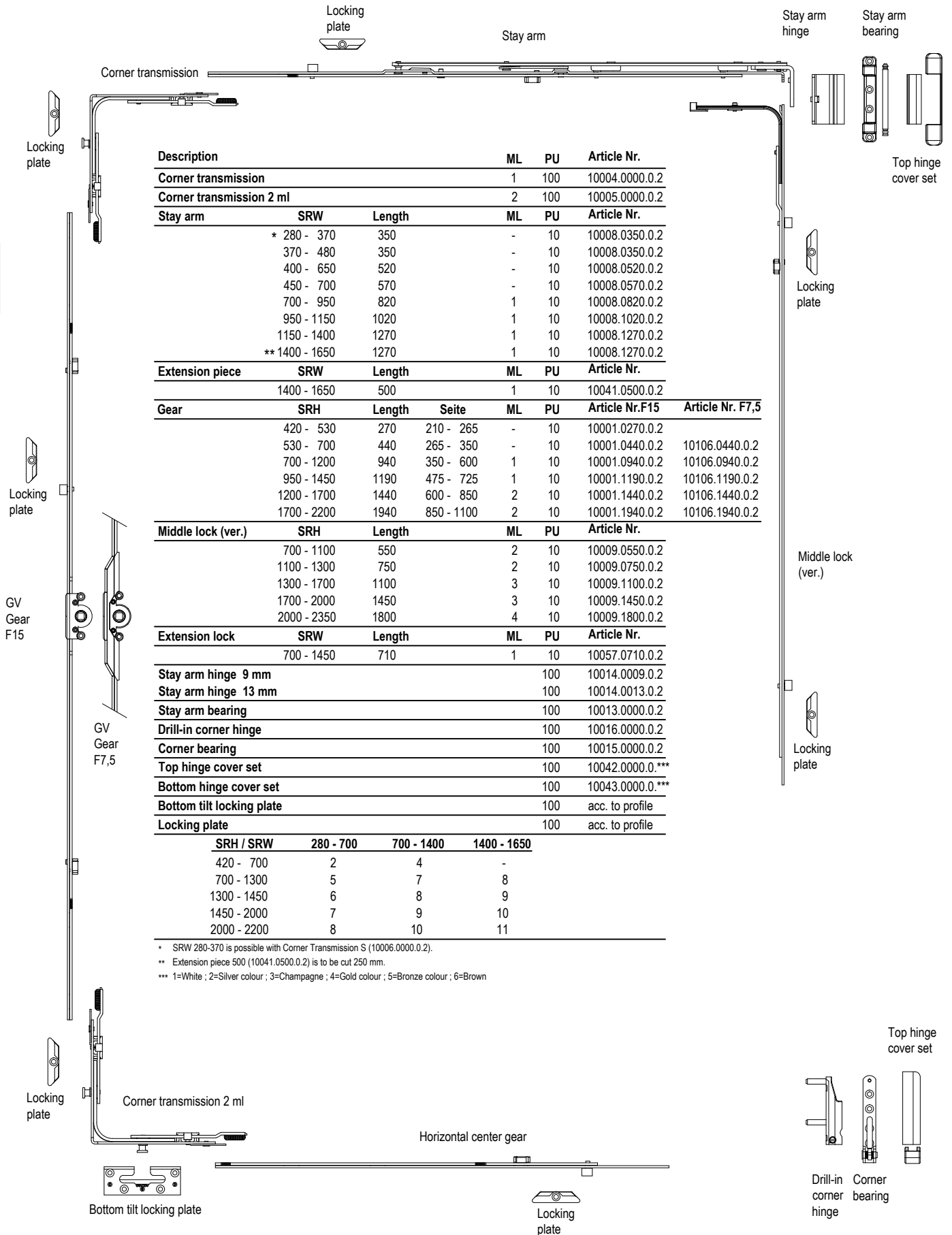
* SRW 280-370 is possible with Corner Transmission S (10006.0000.0.2). **Extension piece (10063.0500.0.2) is to be cut 250 mm.
*** 1=White ; 2=Silver colour ; 3=Champagne ; 4=Gold colour ; 5=Bronze colour ; 6=Brown

3



Tilt & Turn - GV Horizontal Tilt

3



Description	ML	PU	Article Nr.				
Corner transmission	1	100	10004.0000.0.2				
Corner transmission 2 ml	2	100	10005.0000.0.2				
Stay arm	SRW	Length	ML	PU	Article Nr.		
* 280 - 370	350	-	10	10008.0350.0.2			
370 - 480	350	-	10	10008.0350.0.2			
400 - 650	520	-	10	10008.0520.0.2			
450 - 700	570	-	10	10008.0570.0.2			
700 - 950	820	1	10	10008.0820.0.2			
950 - 1150	1020	1	10	10008.1020.0.2			
1150 - 1400	1270	1	10	10008.1270.0.2			
** 1400 - 1650	1270	1	10	10008.1270.0.2			
Extension piece	SRW	Length	ML	PU	Article Nr.		
1400 - 1650	500	1	10	10041.0500.0.2			
Gear	SRH	Length	Seite	ML	PU	Article Nr.F15	Article Nr. F7,5
420 - 530	270	210 - 265	-	10	10001.0270.0.2		
530 - 700	440	265 - 350	-	10	10001.0440.0.2		10106.0440.0.2
700 - 1200	940	350 - 600	1	10	10001.0940.0.2		10106.0940.0.2
950 - 1450	1190	475 - 725	1	10	10001.1190.0.2		10106.1190.0.2
1200 - 1700	1440	600 - 850	2	10	10001.1440.0.2		10106.1440.0.2
1700 - 2200	1940	850 - 1100	2	10	10001.1940.0.2		10106.1940.0.2
Middle lock (ver.)	SRH	Length	ML	PU	Article Nr.		
700 - 1100	550	2	10	10009.0550.0.2			
1100 - 1300	750	2	10	10009.0750.0.2			
1300 - 1700	1100	3	10	10009.1100.0.2			
1700 - 2000	1450	3	10	10009.1450.0.2			
2000 - 2350	1800	4	10	10009.1800.0.2			
Extension lock	SRW	Length	ML	PU	Article Nr.		
700 - 1450	710	1	10	10057.0710.0.2			
Stay arm hinge 9 mm				100	10014.0009.0.2		
Stay arm hinge 13 mm				100	10014.0013.0.2		
Stay arm bearing				100	10013.0000.0.2		
Drill-in corner hinge				100	10016.0000.0.2		
Corner bearing				100	10015.0000.0.2		
Top hinge cover set				100	10042.0000.0.***		
Bottom hinge cover set				100	10043.0000.0.***		
Bottom tilt locking plate				100	acc. to profile		
Locking plate				100	acc. to profile		
SRH / SRW	280 - 700	700 - 1400	1400 - 1650				
420 - 700	2	4	-				
700 - 1300	5	7	8				
1300 - 1450	6	8	9				
1450 - 2000	7	9	10				
2000 - 2200	8	10	11				

* SRW 280-370 is possible with Corner Transmission S (10006.0000.0.2).
 ** Extension piece 500 (10041.0500.0.2) is to be cut 250 mm.
 *** 1=White ; 2=Silver colour ; 3=Champagne ; 4=Gold colour ; 5=Bronze colour ; 6=Brown



Description	ML	PU	Article Nr.				
Corner transmission	1	100	10004.0000.0.2				
Extension piece, 180°	1	100	10040.0000.0.2				
Stay arm	SRW	Length	ML	PU	Article Nr.		
* 280 - 370	350	-	10	10008.0350.0.2			
370 - 480	350	-	10	10008.0350.0.2			
400 - 650	520	-	10	10008.0520.0.2			
450 - 700	570	-	10	10008.0570.0.2			
700 - 950	820	1	10	10008.0820.0.2			
950 - 1150	1020	1	10	10008.1020.0.2			
1150 - 1400	1270	1	10	10008.1270.0.2			
** 1400 - 1650	1270	1	10	10008.1270.0.2			
Extension piece	SRW	Length	ML	PU	Article Nr.		
1400 - 1650	500	1	10	10041.0500.0.2			
Gear	SRH	Length	Seite	ML	PU	Article Nr. F15	Article Nr. F7,5
420 - 530	270	210 - 265	-	10	10001.0270.0.2		
530 - 700	440	265 - 350	-	10	10001.0440.0.2	10106.0440.0.2	
700 - 1200	940	350 - 600	1	10	10001.0940.0.2	10106.0940.0.2	
950 - 1450	1190	475 - 725	1	10	10001.1190.0.2	10106.1190.0.2	
1200 - 1700	1440	600 - 850	2	10	10001.1440.0.2	10106.1440.0.2	
1700 - 2200	1940	850 - 1100	2	10	10001.1940.0.2	10106.1940.0.2	
Middle lock (ver.)	SRH	Length	ML	PU	Article Nr.		
700 - 1100	550	2	10	10009.0550.0.2			
1100 - 1300	750	2	10	10009.0750.0.2			
1300 - 1700	1100	3	10	10009.1100.0.2			
1700 - 2000	1450	3	10	10009.1450.0.2			
2000 - 2350	1800	4	10	10009.1800.0.2			
Middle lock Se (hor.)	SRW	Length	ML	PU	Article Nr.		
280 - 700	240	1	10	10055.0240.0.2			
700 - 1100	550	2	10	10055.0550.0.2			
1100 - 1300	750	2	10	10055.0750.0.2			
1300 - 1650	1100	3	10	10055.1100.0.2			
Stay arm hinge 9 mm			100	10014.0009.0.2			
Stay arm hinge 13 mm			100	10014.0013.0.2			
Stay arm bearing			100	10013.0000.0.2			
Drill-in corner hinge			100	10016.0000.0.2			
Corner bearing			100	10015.0000.0.2			
Top hinge cover set			100	10042.0000.0.***			
Bottom hinge cover set			100	10043.0000.0.***			
Bottom tilt locking plate			100	acc. to profile			
Locking plate			100	acc. to profile			
SRH / SRW	280 - 700	700 - 1300	1300 - 1400	1400 - 1650			
420 - 700	2	4	-	-			
700 - 1300	5	7	8	9			
1300 - 1450	6	8	19	10			
1450 - 2000	7	9	11	11			
2000 - 2200	8	10		12			

* SRW 280-370 is possible with Corner Transmission S (10006.0000.0.2).

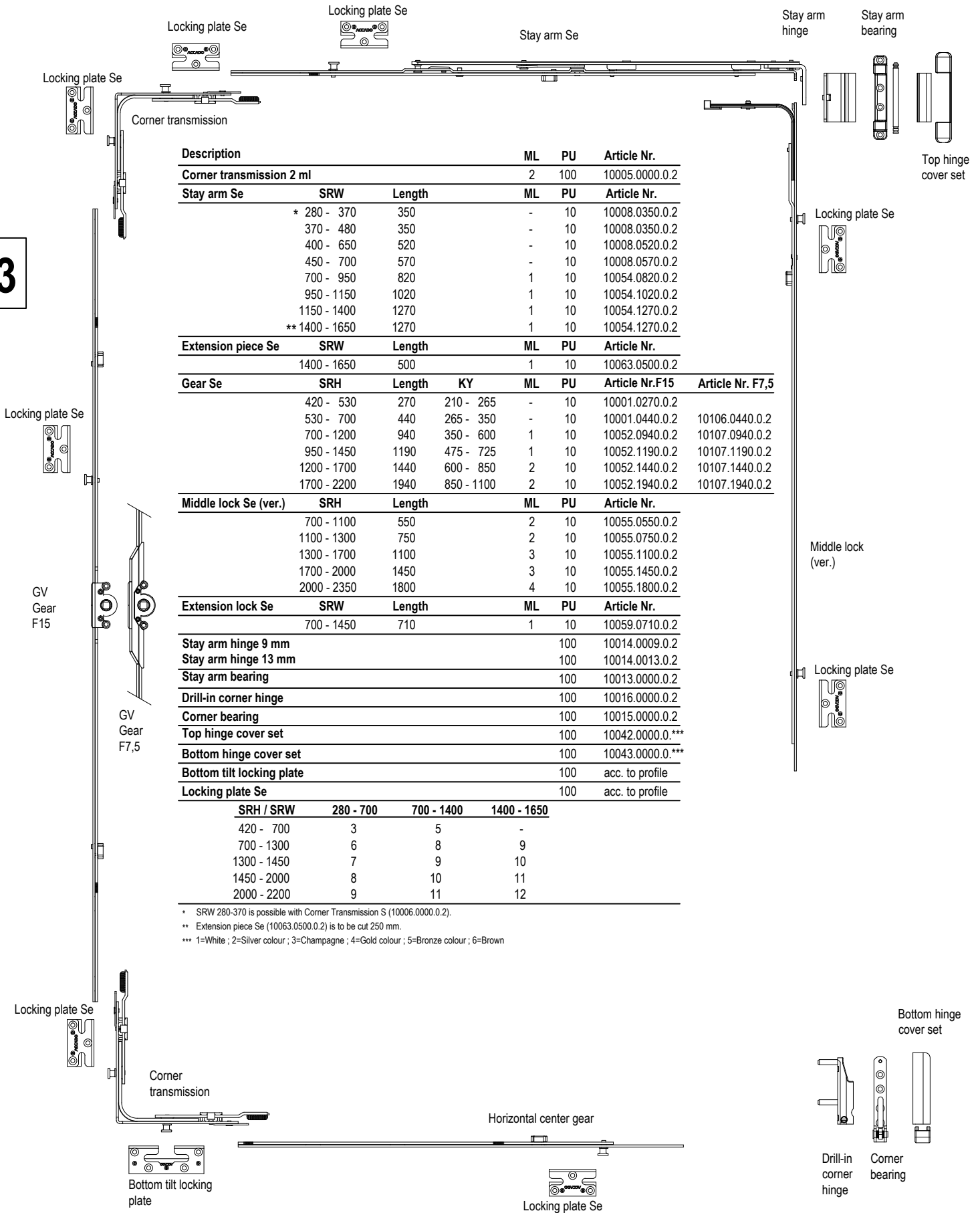
** Extension piece 500 (10041.0500.0.2) is to be cut 250 mm..

*** 1=White ; 2=Silver colour ; 3=Champagne ; 4=Gold colour ; 5=Bronze colour ; 6=Brown

3



3



Description	ML	PU	Article Nr.				
Corner transmission 2 ml	2	100	10005.0000.0.2				
Stay arm Se	SRW	Length	ML	PU	Article Nr.		
* 280 - 370	350	-	10	10008.0350.0.2			
370 - 480	350	-	10	10008.0350.0.2			
400 - 650	520	-	10	10008.0520.0.2			
450 - 700	570	-	10	10008.0570.0.2			
700 - 950	820	1	10	10054.0820.0.2			
950 - 1150	1020	1	10	10054.1020.0.2			
1150 - 1400	1270	1	10	10054.1270.0.2			
** 1400 - 1650	1270	1	10	10054.1270.0.2			
Extension piece Se	SRW	Length	ML	PU	Article Nr.		
1400 - 1650	500	1	10	10063.0500.0.2			
Gear Se	SRH	Length	KY	ML	PU	Article Nr.F15	Article Nr. F7,5
420 - 530	270	210 - 265	-	10	10001.0270.0.2		
530 - 700	440	265 - 350	-	10	10001.0440.0.2	10106.0440.0.2	
700 - 1200	940	350 - 600	1	10	10052.0940.0.2	10107.0940.0.2	
950 - 1450	1190	475 - 725	1	10	10052.1190.0.2	10107.1190.0.2	
1200 - 1700	1440	600 - 850	2	10	10052.1440.0.2	10107.1440.0.2	
1700 - 2200	1940	850 - 1100	2	10	10052.1940.0.2	10107.1940.0.2	
Middle lock Se (ver.)	SRH	Length	ML	PU	Article Nr.		
700 - 1100	550		2	10	10055.0550.0.2		
1100 - 1300	750		2	10	10055.0750.0.2		
1300 - 1700	1100		3	10	10055.1100.0.2		
1700 - 2000	1450		3	10	10055.1450.0.2		
2000 - 2350	1800		4	10	10055.1800.0.2		
Extension lock Se	SRW	Length	ML	PU	Article Nr.		
700 - 1450	710		1	10	10059.0710.0.2		
Stay arm hinge 9 mm				100	10014.0009.0.2		
Stay arm hinge 13 mm				100	10014.0013.0.2		
Stay arm bearing				100	10013.0000.0.2		
Drill-in corner hinge				100	10016.0000.0.2		
Corner bearing				100	10015.0000.0.2		
Top hinge cover set				100	10042.0000.0.***		
Bottom hinge cover set				100	10043.0000.0.***		
Bottom tilt locking plate				100	acc. to profile		
Locking plate Se				100	acc. to profile		
SRH / SRW	280 - 700	700 - 1400	1400 - 1650				
420 - 700	3	5	-				
700 - 1300	6	8	9				
1300 - 1450	7	9	10				
1450 - 2000	8	10	11				
2000 - 2200	9	11	12				

* SRW 280-370 is possible with Corner Transmission S (10006.0000.0.2).
 ** Extension piece Se (10063.0500.0.2) is to be cut 250 mm.
 *** 1=White ; 2=Silver colour ; 3=Champagne ; 4=Gold colour ; 5=Bronze colour ; 6=Brown



Tilt & Turn - GV Horizontal Tilt

Description	ML	PU	Article Nr.				
Corner transmission 2 ml	2	100	10005.0000.0.2				
Extension Piece 180° Se	1	100	10068.0000.0.2				
Stay arm Se	SRW	Length	ML	PU	Article Nr.		
* 280 - 370	350	-	10	10008.0350.0.2			
370 - 480	350	-	10	10008.0350.0.2			
400 - 650	520	-	10	10008.0520.0.2			
450 - 700	570	-	10	10008.0570.0.2			
700 - 950	820	1	10	10054.0820.0.2			
950 - 1150	1020	1	10	10054.1020.0.2			
1150 - 1400	1270	1	10	10054.1270.0.2			
** 1400 - 1650	1270	1	10	10054.1270.0.2			
Extension piece Se	SRW	Length	ML	PU	Article Nr.		
1400 - 1650	500	1	10	10063.0500.0.2			
Gear Se	SRH	Length	KY	ML	PU	Article Nr. F15	Article Nr. F7,5
420 - 530	270	210 - 265	-	10	10001.0270.0.2		
530 - 700	440	265 - 350	-	10	10001.0440.0.2	10106.0440.0.2	
700 - 1200	940	350 - 600	1	10	10052.0940.0.2	10107.0940.0.2	
950 - 1450	1190	475 - 725	1	10	10052.1190.0.2	10107.1190.0.2	
1200 - 1700	1440	600 - 850	2	10	10052.1440.0.2	10107.1440.0.2	
1700 - 2200	1940	850 - 1100	2	10	10052.1940.0.2	10107.1940.0.2	
Middle lock Se (ver.)	SRH	Length	ML	PU	Article Nr.		
700 - 1100	550	2	10	10055.0550.0.2			
1100 - 1300	750	2	10	10055.0750.0.2			
1300 - 1700	1100	3	10	10055.1100.0.2			
1700 - 2000	1450	3	10	10055.1450.0.2			
2000 - 2350	1800	4	10	10055.1800.0.2			
Middle lock Se (hor.)	SRW	Length	ML	PU	Article Nr.		
280 - 700	240	1	10	10055.0240.0.2			
700 - 1100	550	2	10	10055.0550.0.2			
1100 - 1300	750	2	10	10055.0750.0.2			
1300 - 1650	1100	3	10	10055.1100.0.2			
Stay arm hinge 9 mm				100	10014.0009.0.2		
Stay arm hinge 13 mm				100	10014.0013.0.2		
Stay arm bearing				100	10013.0000.0.2		
Drill-in corner hinge				100	10016.0000.0.2		
Corner bearing				100	10015.0000.0.2		
Top hinge cover set				100	10042.0000.0.***		
Bottom hinge cover set				100	10043.0000.0.***		
Bottom tilt locking plate				100	acc. to profile		
Locking plate Se				100	acc. to profile		
SRH / SRW	280 - 700	700 - 1300	1300 - 1400	1400 - 1650			
420 - 700	3	5	-	-			
700 - 1300	6	8	9	10			
1300 - 1450	7	9	10	11			
1450 - 2000	8	10	11	12			
2000 - 2200	9	11	12	13			

* SRW 280-370 is possible with Corner Transmission S (10006.0000.0.2).
 ** Extension piece Se (10063.0500.0.2) is to be cut 250 mm.
 *** 1=White ; 2=Silver colour ; 3=Champagne ; 4=Gold colour ; 5=Bronze colour ; 6=Brown

3



Tilt & Turn - GV - Se Horizontal Tilt

Description	ML	PU	Article Nr.	
Corner transmission 2 ml	2	100	10005.0000.0.2	
Bottom extension SRH	ML	PU	Article Nr.	
420 - 950	1	100	10003.0950.0.2	
950 - 2350	1	100	10003.2350.0.2	
Stay arm Se SRW Length	ML	PU	Article Nr.	
* 280 - 370 350	-	10	10008.0350.0.2	
370 - 480 350	-	10	10008.0350.0.2	
400 - 650 520	-	10	10008.0520.0.2	
450 - 700 570	-	10	10008.0570.0.2	
700 - 950 820	1	10	10054.0820.0.2	
950 - 1150 1020	1	10	10054.1020.0.2	
1150 - 1400 1270	1	10	10054.1270.0.2	
** 1400 - 1650 1270	1	10	10054.1270.0.2	
Middle lock SRW Length	ML	PU	Article Nr.	
- 130	-	100	10009.0130.0.2	
Extension piece Se SRW Length	ML	PU	Article Nr.	
1400 - 1650 500	1	10	10063.0500.0.2	
Gear Se SRH Length KY	ML	PU	Article Nr. F15	Article Nr. F7,5
420 - 530 270 210 - 265	-	10	10001.0270.0.2	
530 - 700 440 265 - 350	-	10	10001.0440.0.2	10106.0440.0.2
700 - 1200 940 350 - 600	1	10	10052.0940.0.2	10107.0940.0.2
950 - 1450 1190 475 - 725	1	10	10052.1190.0.2	10107.1190.0.2
1200 - 1700 1440 600 - 850	2	10	10052.1440.0.2	10107.1440.0.2
1700 - 2200 1940 850 - 1100	2	10	10052.1940.0.2	10107.1940.0.2
Vertical center gear SRH Length	ML	PU	Article Nr.	
530 - 700 440	-	10	10387.0440.0.2	
700 - 1200 940	1	10	10387.0940.0.2	
950 - 1450 1190	1	10	10387.1190.0.2	
1200 - 1700 1440	2	10	10387.1440.0.2	
1700 - 2200 1940	2	10	10387.1940.0.2	
Horizontal center gear SRW Length	ML	PU	Article Nr.	
450 - 700 440	-	10	10386.0440.0.2	
700 - 900 690	2	10	10386.0690.0.2	
900 - 1150 890	2	10	10386.0890.0.2	
1150 - 1400 1140	3	10	10386.1140.0.2	
1400 - 1650 1390	3	10	10386.1390.0.2	
Stay arm hinge 9 mm		100	10014.0009.0.2	
Stay arm hinge 13 mm		100	10014.0013.0.2	
Stay arm bearing		100	10013.0000.0.2	
Drill-in corner hinge		100	10016.0000.0.2	
Corner bearing		100	10015.0000.0.2	
Top hinge cover set		100	10042.0000.0.***	
Bottom hinge cover set		100	10043.0000.0.***	
Bottom tilt locking plate		100	acc. to profile	
Locking plate Se		100	acc. to profile	
SRH / SRW	280 - 700	700 - 1300	1300 - 1400	1400 - 1650
420 - 700	2	5	-	-
700 - 1300	5	8	9	10
1300 - 1450	6	9	10	11
1450 - 2000	7	10	11	12
2000 - 2200	8	11	12	13

* SRW 280-370 is possible with Corner Transmission S (10006.0000.0.2).

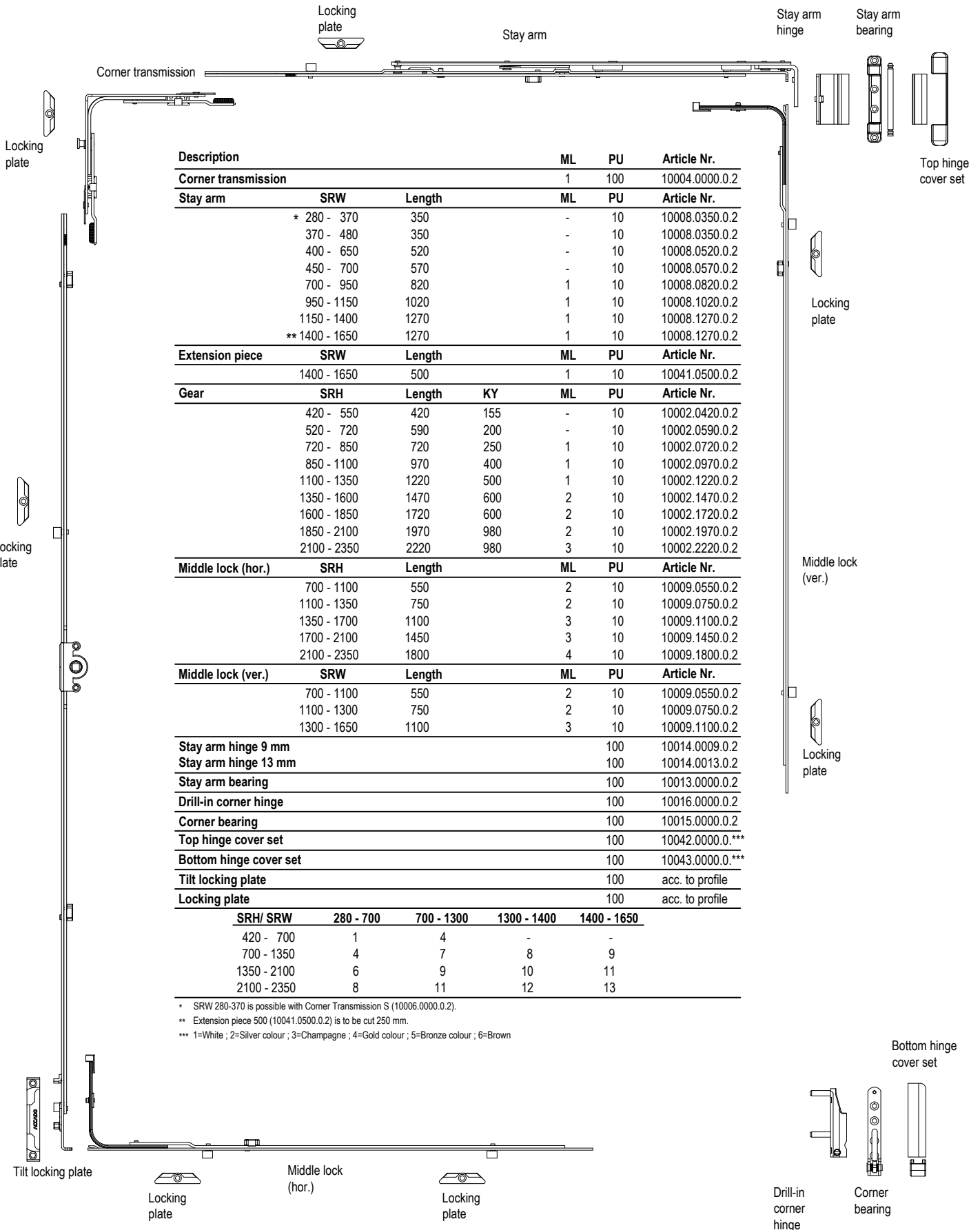
** Extension piece Se (10063.0500.0.2) is to be cut 250 mm.

*** 1=White ; 2=Silver colour ; 3=Champagne ; 4=Gold colour ; 5=Bronze colour ; 6=Brown

3



3



Description	ML	PU	Article Nr.			
Corner transmission	1	100	10004.0000.0.2			
Stay arm	ML	PU	Article Nr.			
* 280 - 370	350	-	10	10008.0350.0.2		
370 - 480	350	-	10	10008.0350.0.2		
400 - 650	520	-	10	10008.0520.0.2		
450 - 700	570	-	10	10008.0570.0.2		
700 - 950	820	1	10	10008.0820.0.2		
950 - 1150	1020	1	10	10008.1020.0.2		
1150 - 1400	1270	1	10	10008.1270.0.2		
** 1400 - 1650	1270	1	10	10008.1270.0.2		
Extension piece	SRW	Length	ML	PU	Article Nr.	
1400 - 1650	500	500	1	10	10041.0500.0.2	
Gear	SRH	Length	KY	ML	PU	Article Nr.
420 - 550	420	155	-	10	10002.0420.0.2	
520 - 720	590	200	-	10	10002.0590.0.2	
720 - 850	720	250	1	10	10002.0720.0.2	
850 - 1100	970	400	1	10	10002.0970.0.2	
1100 - 1350	1220	500	1	10	10002.1220.0.2	
1350 - 1600	1470	600	2	10	10002.1470.0.2	
1600 - 1850	1720	600	2	10	10002.1720.0.2	
1850 - 2100	1970	980	2	10	10002.1970.0.2	
2100 - 2350	2220	980	3	10	10002.2220.0.2	
Middle lock (hor.)	SRH	Length	ML	PU	Article Nr.	
700 - 1100	550	550	2	10	10009.0550.0.2	
1100 - 1350	750	750	2	10	10009.0750.0.2	
1350 - 1700	1100	1100	3	10	10009.1100.0.2	
1700 - 2100	1450	1450	3	10	10009.1450.0.2	
2100 - 2350	1800	1800	4	10	10009.1800.0.2	
Middle lock (ver.)	SRW	Length	ML	PU	Article Nr.	
700 - 1100	550	550	2	10	10009.0550.0.2	
1100 - 1300	750	750	2	10	10009.0750.0.2	
1300 - 1650	1100	1100	3	10	10009.1100.0.2	
Stay arm hinge 9 mm				100	10014.0009.0.2	
Stay arm hinge 13 mm				100	10014.0013.0.2	
Stay arm bearing				100	10013.0000.0.2	
Drill-in corner hinge				100	10016.0000.0.2	
Corner bearing				100	10015.0000.0.2	
Top hinge cover set				100	10042.0000.0.***	
Bottom hinge cover set				100	10043.0000.0.***	
Tilt locking plate				100	acc. to profile	
Locking plate				100	acc. to profile	
SRH/ SRW	280 - 700	700 - 1300	1300 - 1400	1400 - 1650		
420 - 700	1	4	-	-		
700 - 1350	4	7	8	9		
1350 - 2100	6	9	10	11		
2100 - 2350	8	11	12	13		

* SRW 280-370 is possible with Corner Transmission S (10006.0000.0.2).
 ** Extension piece 500 (10041.0500.0.2) is to be cut 250 mm.
 *** 1=White ; 2=Silver colour ; 3=Champagne ; 4=Gold colour ; 5=Bronze colour ; 6=Brown

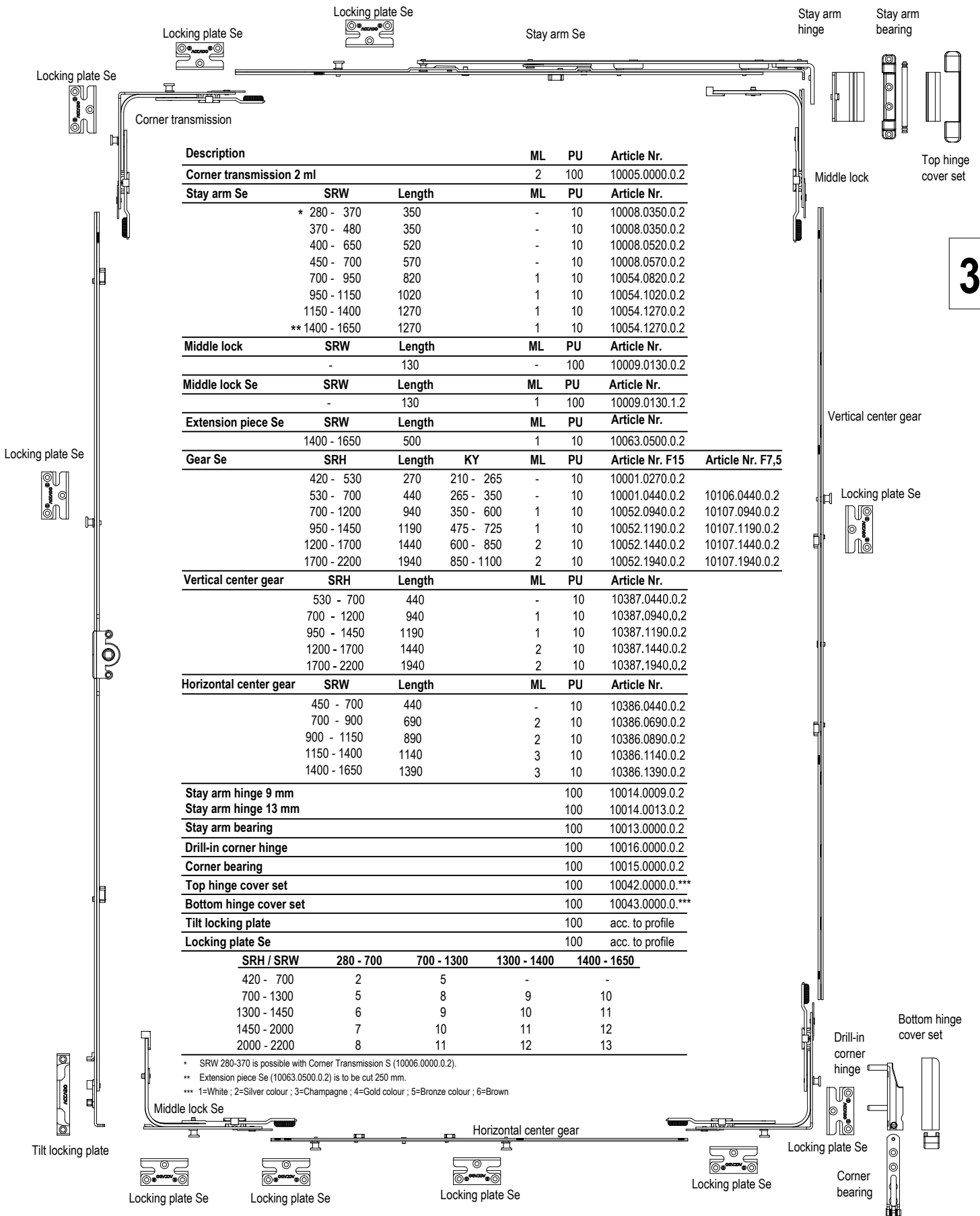


Tilt & Turn - GC - Se Vertical Tilt

Description	ML	PU	Article Nr.
Corner transmission 2 ml	1	100	10005.0000.0.2
Stay arm Se	SRW	Length	ML PU Article Nr.
* 280 - 370	350	-	10 10008.0350.0.2
370 - 480	350	-	10 10008.0350.0.2
400 - 650	520	-	10 10008.0520.0.2
450 - 700	570	-	10 10008.0570.0.2
700 - 950	820	1	10 10054.0820.0.2
950 - 1150	1020	1	10 10054.1020.0.2
1150 - 1400	1270	1	10 10054.1270.0.2
** 1400 - 1650	1270	1	10 10054.1270.0.2
Extension piece Se	SRW	Length	ML PU Article Nr.
1400 - 1650	500	1	10 10063.0500.0.2
Gear Se	SRH	Length	KY ML PU Article Nr.
420 - 550	420	155	- 10 10002.0420.0.2
520 - 720	590	200	- 10 10002.0590.0.2
720 - 850	720	250	1 10 10053.0720.0.2
850 - 1100	970	400	1 10 10053.0970.0.2
1100 - 1350	1220	500	1 10 10053.1220.0.2
1350 - 1600	1470	600	2 10 10053.1470.0.2
1600 - 1850	1720	600	2 10 10053.1720.0.2
1850 - 2100	1970	980	2 10 10053.1970.0.2
2100 - 2350	2220	980	3 10 10053.2220.0.2
Middle lock Se (ver.)	SRH	Length	ML PU Article Nr.
700 - 1100	550	2	10 10055.0550.0.2
1100 - 1350	750	2	10 10055.0750.0.2
1350 - 1700	1100	3	10 10055.1100.0.2
1700 - 2100	1450	3	10 10055.1450.0.2
2100 - 2350	1800	4	10 10055.1800.0.2
Middle lock Se (hor.)	SRW	Length	ML PU Article Nr.
700 - 1100	550	2	10 10055.0550.0.2
1100 - 1300	750	2	10 10055.0750.0.2
1300 - 1650	1100	3	10 10055.1100.0.2
Stay arm hinge 9 mm			100 10014.0009.0.2
Stay arm hinge 13 mm			100 10014.0013.0.2
Stay arm bearing			100 10013.0000.0.2
Drill-in corner hinge			100 10016.0000.0.2
Corner bearing			100 10015.0000.0.2
Top hinge cover set			100 10042.0000.0.***
Bottom hinge cover set			100 10043.0000.0.***
Tilt locking plate			100 acc. to profile
Locking plate Se			100 acc. to profile
SRH / SRW	280 - 700	700 - 1300	1300 - 1400 1400 - 1650
420 - 700	2	5	- -
700 - 1350	5	8	9 10
1350 - 2100	7	10	11 12
2100 - 2350	9	12	13 14

* SRW 280-370 is possible with Corner Transmission S (10006.0000.0.2).
 ** Extension piece Se (10063.0500.0.2) is to be cut 250 mm.
 *** 1=White ; 2=Silver colour ; 3=Champagne ; 4=Gold colour ; 5=Bronze colour ; 6=Brown

3



Description	ML	PU	Article Nr.				
Corner transmission 2 ml	2	100	10005.0000.0.2				
Stay arm Se	SRW	Length	ML	PU	Article Nr.		
* 280 - 370	350	-	10	10008.0350.0.2			
370 - 480	350	-	10	10008.0350.0.2			
400 - 650	520	-	10	10008.0520.0.2			
450 - 700	570	-	10	10008.0570.0.2			
700 - 950	820	1	10	10054.0820.0.2			
950 - 1150	1020	1	10	10054.1020.0.2			
1150 - 1400	1270	1	10	10054.1270.0.2			
** 1400 - 1650	1270	1	10	10054.1270.0.2			
Middle lock	SRW	Length	ML	PU	Article Nr.		
-	130	-	100	10009.0130.0.2			
Middle lock Se	SRW	Length	ML	PU	Article Nr.		
-	130	1	100	10009.0130.1.2			
Extension piece Se	SRW	Length	ML	PU	Article Nr.		
1400 - 1650	500	1	10	10063.0500.0.2			
Gear Se	SRH	Length	KY	ML	PU	Article Nr. F15	Article Nr. F7,5
420 - 530	270	210 - 265	-	10	10001.0270.0.2		
530 - 700	440	265 - 350	-	10	10001.0440.0.2	10106.0440.0.2	
700 - 1200	940	350 - 600	1	10	10052.0940.0.2	10107.0940.0.2	
950 - 1450	1190	475 - 725	1	10	10052.1190.0.2	10107.1190.0.2	
1200 - 1700	1440	600 - 850	2	10	10052.1440.0.2	10107.1440.0.2	
1700 - 2200	1940	850 - 1100	2	10	10052.1940.0.2	10107.1940.0.2	
Vertical center gear	SRH	Length	ML	PU	Article Nr.		
530 - 700	440	-	10	10387.0440.0.2			
700 - 1200	940	1	10	10387.0940.0.2			
950 - 1450	1190	1	10	10387.1190.0.2			
1200 - 1700	1440	2	10	10387.1440.0.2			
1700 - 2200	1940	2	10	10387.1940.0.2			
Horizontal center gear	SRW	Length	ML	PU	Article Nr.		
450 - 700	440	-	10	10386.0440.0.2			
700 - 900	690	2	10	10386.0690.0.2			
900 - 1150	890	2	10	10386.0890.0.2			
1150 - 1400	1140	3	10	10386.1140.0.2			
1400 - 1650	1390	3	10	10386.1390.0.2			
Stay arm hinge 9 mm				100	10014.0009.0.2		
Stay arm hinge 13 mm				100	10014.0013.0.2		
Stay arm bearing				100	10013.0000.0.2		
Drill-in corner hinge				100	10016.0000.0.2		
Corner bearing				100	10015.0000.0.2		
Top hinge cover set				100	10042.0000.0.***		
Bottom hinge cover set				100	10043.0000.0.***		
Tilt locking plate				100	acc. to profile		
Locking plate Se				100	acc. to profile		
	SRH / SRW	280 - 700	700 - 1300	1300 - 1400	1400 - 1650		
	420 - 700	2	5	-	-		
	700 - 1300	5	8	9	10		
	1300 - 1450	6	9	10	11		
	1450 - 2000	7	10	11	12		
	2000 - 2200	8	11	12	13		

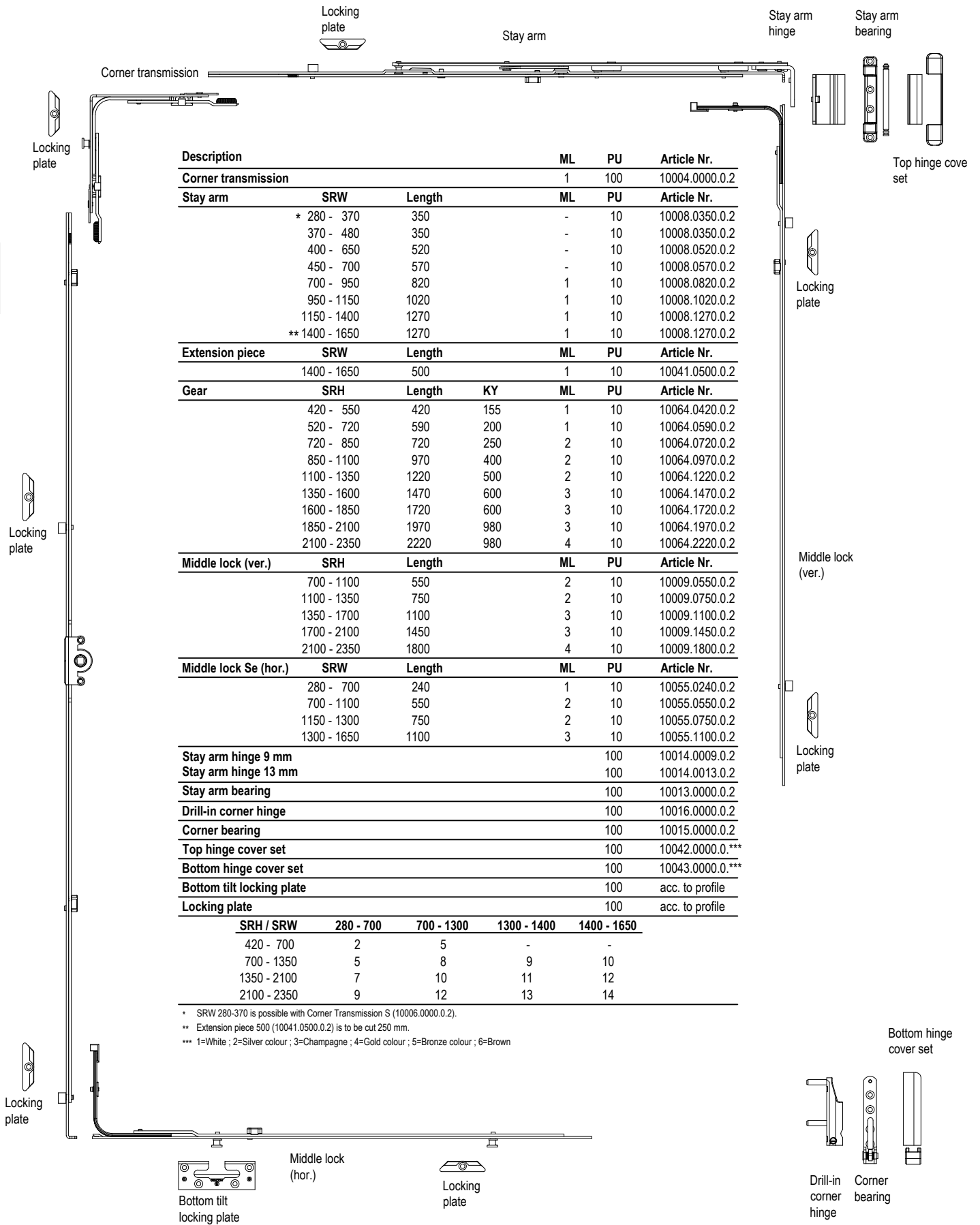
* SRW 280-370 is possible with Corner Transmission S (10006.0000.0.2).
 ** Extension piece Se (10063.0500.0.2) is to be cut 250 mm.
 *** 1=White ; 2=Silver colour ; 3=Champagne ; 4=Gold colour ; 5=Bronze colour ; 6=Brown

3



Tilt & Turn - GC Horizontal Tilt

3

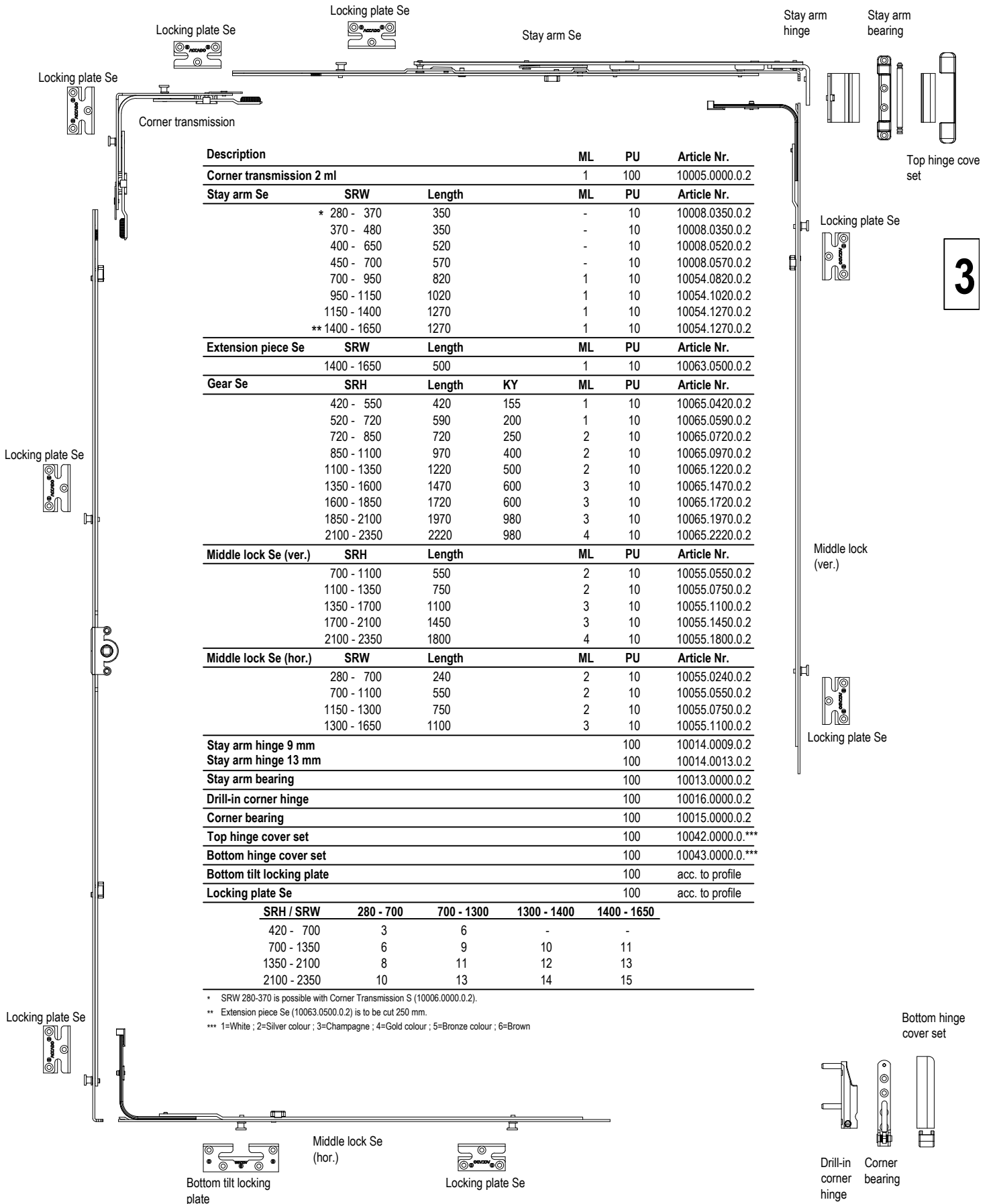


Description	ML	PU	Article Nr.			
Corner transmission	1	100	10004.0000.0.2			
Stay arm	ML	PU	Article Nr.			
* 280 - 370	350	-	10008.0350.0.2			
370 - 480	350	-	10008.0350.0.2			
400 - 650	520	-	10008.0520.0.2			
450 - 700	570	-	10008.0570.0.2			
700 - 950	820	1	10008.0820.0.2			
950 - 1150	1020	1	10008.1020.0.2			
1150 - 1400	1270	1	10008.1270.0.2			
** 1400 - 1650	1270	1	10008.1270.0.2			
Extension piece	ML	PU	Article Nr.			
1400 - 1650	500	1	10041.0500.0.2			
Gear	SRH	Length	KY	ML	PU	Article Nr.
420 - 550	420	155	1	10	10064.0420.0.2	
520 - 720	590	200	1	10	10064.0590.0.2	
720 - 850	720	250	2	10	10064.0720.0.2	
850 - 1100	970	400	2	10	10064.0970.0.2	
1100 - 1350	1220	500	2	10	10064.1220.0.2	
1350 - 1600	1470	600	3	10	10064.1470.0.2	
1600 - 1850	1720	600	3	10	10064.1720.0.2	
1850 - 2100	1970	980	3	10	10064.1970.0.2	
2100 - 2350	2220	980	4	10	10064.2220.0.2	
Middle lock (ver.)	SRH	Length	ML	PU	Article Nr.	
700 - 1100	550	2	10	10009.0550.0.2		
1100 - 1350	750	2	10	10009.0750.0.2		
1350 - 1700	1100	3	10	10009.1100.0.2		
1700 - 2100	1450	3	10	10009.1450.0.2		
2100 - 2350	1800	4	10	10009.1800.0.2		
Middle lock Se (hor.)	SRW	Length	ML	PU	Article Nr.	
280 - 700	240	1	10	10055.0240.0.2		
700 - 1100	550	2	10	10055.0550.0.2		
1150 - 1300	750	2	10	10055.0750.0.2		
1300 - 1650	1100	3	10	10055.1100.0.2		
Stay arm hinge 9 mm				100	10014.0009.0.2	
Stay arm hinge 13 mm				100	10014.0013.0.2	
Stay arm bearing				100	10013.0000.0.2	
Drill-in corner hinge				100	10016.0000.0.2	
Corner bearing				100	10015.0000.0.2	
Top hinge cover set				100	10042.0000.0.***	
Bottom hinge cover set				100	10043.0000.0.***	
Bottom tilt locking plate				100	acc. to profile	
Locking plate				100	acc. to profile	
SRH / SRW	280 - 700	700 - 1300	1300 - 1400	1400 - 1650		
420 - 700	2	5	-	-		
700 - 1350	5	8	9	10		
1350 - 2100	7	10	11	12		
2100 - 2350	9	12	13	14		

* SRW 280-370 is possible with Corner Transmission S (10006.0000.0.2).
 ** Extension piece 500 (10041.0500.0.2) is to be cut 250 mm.
 *** 1=White ; 2=Silver colour ; 3=Champagne ; 4=Gold colour ; 5=Bronze colour ; 6=Brown



Tilt & Turn - GC - Se Horizontal Tilt



Description	ML	PU	Article Nr.			
Corner transmission 2 ml	1	100	10005.0000.0.2			
Stay arm Se	SRW	Length	ML	PU	Article Nr.	
* 280 - 370	350	-	10	10008.0350.0.2		
370 - 480	350	-	10	10008.0350.0.2		
400 - 650	520	-	10	10008.0520.0.2		
450 - 700	570	-	10	10008.0570.0.2		
700 - 950	820	1	10	10054.0820.0.2		
950 - 1150	1020	1	10	10054.1020.0.2		
1150 - 1400	1270	1	10	10054.1270.0.2		
** 1400 - 1650	1270	1	10	10054.1270.0.2		
Extension piece Se	SRW	Length	ML	PU	Article Nr.	
1400 - 1650	500	-	10	10063.0500.0.2		
Gear Se	SRH	Length	KY	ML	PU	Article Nr.
420 - 550	420	155	1	10	10065.0420.0.2	
520 - 720	590	200	1	10	10065.0590.0.2	
720 - 850	720	250	2	10	10065.0720.0.2	
850 - 1100	970	400	2	10	10065.0970.0.2	
1100 - 1350	1220	500	2	10	10065.1220.0.2	
1350 - 1600	1470	600	3	10	10065.1470.0.2	
1600 - 1850	1720	600	3	10	10065.1720.0.2	
1850 - 2100	1970	980	3	10	10065.1970.0.2	
2100 - 2350	2220	980	4	10	10065.2220.0.2	
Middle lock Se (ver.)	SRH	Length	ML	PU	Article Nr.	
700 - 1100	550	-	10	10055.0550.0.2		
1100 - 1350	750	-	10	10055.0750.0.2		
1350 - 1700	1100	-	10	10055.1100.0.2		
1700 - 2100	1450	-	10	10055.1450.0.2		
2100 - 2350	1800	-	10	10055.1800.0.2		
Middle lock Se (hor.)	SRW	Length	ML	PU	Article Nr.	
280 - 700	240	-	10	10055.0240.0.2		
700 - 1100	550	-	10	10055.0550.0.2		
1150 - 1300	750	-	10	10055.0750.0.2		
1300 - 1650	1100	-	10	10055.1100.0.2		
Stay arm hinge 9 mm				100	10014.0009.0.2	
Stay arm hinge 13 mm				100	10014.0013.0.2	
Stay arm bearing				100	10013.0000.0.2	
Drill-in corner hinge				100	10016.0000.0.2	
Corner bearing				100	10015.0000.0.2	
Top hinge cover set				100	10042.0000.0.***	
Bottom hinge cover set				100	10043.0000.0.***	
Bottom tilt locking plate				100	acc. to profile	
Locking plate Se				100	acc. to profile	
	SRH / SRW	280 - 700	700 - 1300	1300 - 1400	1400 - 1650	
	420 - 700	3	6	-	-	
	700 - 1350	6	9	10	11	
	1350 - 2100	8	11	12	13	
	2100 - 2350	10	13	14	15	

* SRW 280-370 is possible with Corner Transmission S (10006.0000.0.2).
 ** Extension piece Se (10063.0500.0.2) is to be cut 250 mm.
 *** 1=White ; 2=Silver colour ; 3=Champagne ; 4=Gold colour ; 5=Bronze colour ; 6=Brown

3



Description	ML	PU	Article Nr.
Corner transmission 2 ml	2	100	10005.0000.0.2
Stay arm Se	SRW	Length	ML PU Article Nr.
* 280 - 370	350	-	10 10008.0350.0.2
370 - 480	350	-	10 10008.0350.0.2
400 - 650	520	-	10 10008.0520.0.2
450 - 700	570	-	10 10008.0570.0.2
700 - 950	820	1	10 10054.0820.0.2
950 - 1150	1020	1	10 10054.1020.0.2
1150 - 1400	1270	1	10 10054.1270.0.2
** 1400 - 1650	1270	1	10 10054.1270.0.2
Middle lock	SRW	Length	ML PU Article Nr.
-	130	-	100 10009.0130.0.2
Middle lock Se	SRW	Length	ML PU Article Nr.
-	130	1	100 10009.0130.1.2
Extension piece Se	SRW	Length	ML PU Article Nr.
1400 - 1650	500	1	10 10063.0500.0.2
Gear Se	SRH	Length	KY ML PU Article Nr. F15 Article Nr. F7,5
420 - 530	270	210 - 265	- 10 10001.0270.0.2
530 - 700	440	265 - 350	- 10 10001.0440.0.2 10106.0440.0.2
700 - 1200	940	350 - 600	1 10 10052.0940.0.2 10107.0940.0.2
950 - 1450	1190	475 - 725	1 10 10052.1190.0.2 10107.1190.0.2
1200 - 1700	1440	600 - 850	2 10 10052.1440.0.2 10107.1440.0.2
1700 - 2200	1940	850 - 1100	2 10 10052.1940.0.2 10107.1940.0.2
Vertical center gear	SRH	Length	ML PU Article Nr.
530 - 700	440	-	10 10387.0440.0.2
700 - 1200	940	1	10 10387.0940.0.2
950 - 1450	1190	1	10 10387.1190.0.2
1200 - 1700	1440	2	10 10387.1440.0.2
1700 - 2200	1940	2	10 10387.1940.0.2
Horizontal center gear	SRW	Length	ML PU Article Nr.
450 - 700	440	-	10 10386.0440.0.2
700 - 900	690	2	10 10386.0690.0.2
900 - 1150	890	2	10 10386.0890.0.2
1150 - 1400	1140	3	10 10386.1140.0.2
1400 - 1650	1390	3	10 10386.1390.0.2
Stay arm hinge 9 mm			100 10014.0009.0.2
Stay arm hinge 13 mm			100 10014.0013.0.2
Stay arm bearing			100 10013.0000.0.2
Drill-in corner hinge			100 10016.0000.0.2
Corner bearing			100 10015.0000.0.2
Top hinge cover set			100 10042.0000.0.***
Bottom hinge cover set			100 10043.0000.0.***
Bottom tilt locking plate			100 acc. to profile
Locking plate Se			100 acc. to profile
SRH / SRW	280 - 700	700 - 1300	1300 - 1400 1400 - 1650
420 - 700	2	5	- -
700 - 1300	5	8	9 10
1300 - 1450	6	9	10 11
1450 - 2000	7	10	11 12
2000 - 2200	8	11	12 13

* SRW 280-370 is possible with Corner Transmission S (10006.0000.0.2).
 ** Extension piece Se (10063.0500.0.2) is to be cut 250 mm.
 *** 1=White ; 2=Silver colour ; 3=Champagne ; 4=Gold colour ; 5=Bronze colour ; 6=Brown

3



Tilt & Turn - GV Integrated Slit

3

Integrated slit locking plate

Locking plate

Stay arm

Stay arm hinge

Stay arm bearing

Locking plate

Corner transmission, Integrated slit

Top hinge cover set

Description	ML	PU	Article Nr.				
Corner transmission, Integrated slit	1	100	10021.0000.0.2				
Bottom extension	ML	PU	Article Nr.				
420 - 950	1	100	10003.0950.0.2				
950 - 2350	1	100	10003.2350.0.2				
Stay arm	SRW	Length	ML	PU	Article Nr.		
370 - 480		350	-	10	10008.0350.0.2		
400 - 650		520	-	10	10008.0520.0.2		
450 - 700		570	-	10	10008.0570.0.2		
700 - 950		820	1	10	10008.0820.0.2		
950 - 1150		1020	1	10	10008.1020.0.2		
1150 - 1400		1270	1	10	10008.1270.0.2		
* 1400 - 1650		1270	1	10	10008.1270.0.2		
Extension piece	SRW	Length	ML	PU	Article Nr.		
1400 - 1650		500	1	10	10041.0500.0.2		
Gear	SRH	Length	KY	ML	PU	Article Nr. F15	Article Nr. F7,5
420 - 530		270	210 - 265	-	10	10001.0270.0.2	
530 - 700		440	265 - 350	-	10	10001.0440.0.2	10106.0440.0.2
700 - 1200		940	350 - 600	1	10	10001.0940.0.2	10106.0940.0.2
950 - 1450		1190	475 - 725	1	10	10001.1190.0.2	10106.1190.0.2
1200 - 1700		1440	600 - 850	2	10	10001.1440.0.2	10106.1440.0.2
1700 - 2200		1940	850 - 1100	2	10	10001.1940.0.2	10106.1940.0.2
Middle lock (ver.)	SRH	Length		ML	PU	Article Nr.	
700 - 1100		550		2	10	10009.0550.0.2	
1100 - 1300		750		2	10	10009.0750.0.2	
1300 - 1700		1100		3	10	10009.1100.0.2	
1700 - 2000		1450		3	10	10009.1450.0.2	
2000 - 2350		1800		4	10	10009.1800.0.2	
Middle lock (hor.)	SRW	Length		ML	PU	Article Nr.	
700 - 1100		550		2	10	10009.0550.0.2	
1150 - 1300		750		2	10	10009.0750.0.2	
1300 - 1650		1100		3	10	10009.1100.0.2	
Stay arm hinge 9 mm					100	10014.0009.0.2	
Stay arm hinge 13 mm					100	10014.0013.0.2	
Stay arm bearing					100	10013.0000.0.2	
Drill-in corner hinge					100	10016.0000.0.2	
Corner bearing					100	10015.0000.0.2	
Top hinge cover set					100	10042.0000.0.**	
Bottom hinge cover set					100	10043.0000.0.**	
Integrated slit locking plate					100	acc. to profile	
Tilt locking plate					100	acc. to profile	
Locking plate					100	acc. to profile	

SRH / SRW	280 - 700	700 - 1300	1300 - 1400	1400 - 1650
420 - 700	1	4	-	-
700 - 1300	4	7	8	9
1300 - 1450	5	8	9	10
1450 - 2000	6	9	10	11
2000 - 2200	7	10	11	12

* Extension piece 500 (10041.0500.0.2) is to be cut 250 mm.
 ** 1=White ; 2=Silver colour ; 3=Champagne ; 4=Gold colour ; 5=Bronze colour ; 6=Brown

Bottom extension

Bottom hinge cover set

Tilt locking plate

Locking plate

Middle lock (hor.)

Locking plate

Drill-in corner hinge

Corner bearing

GV Gear F15

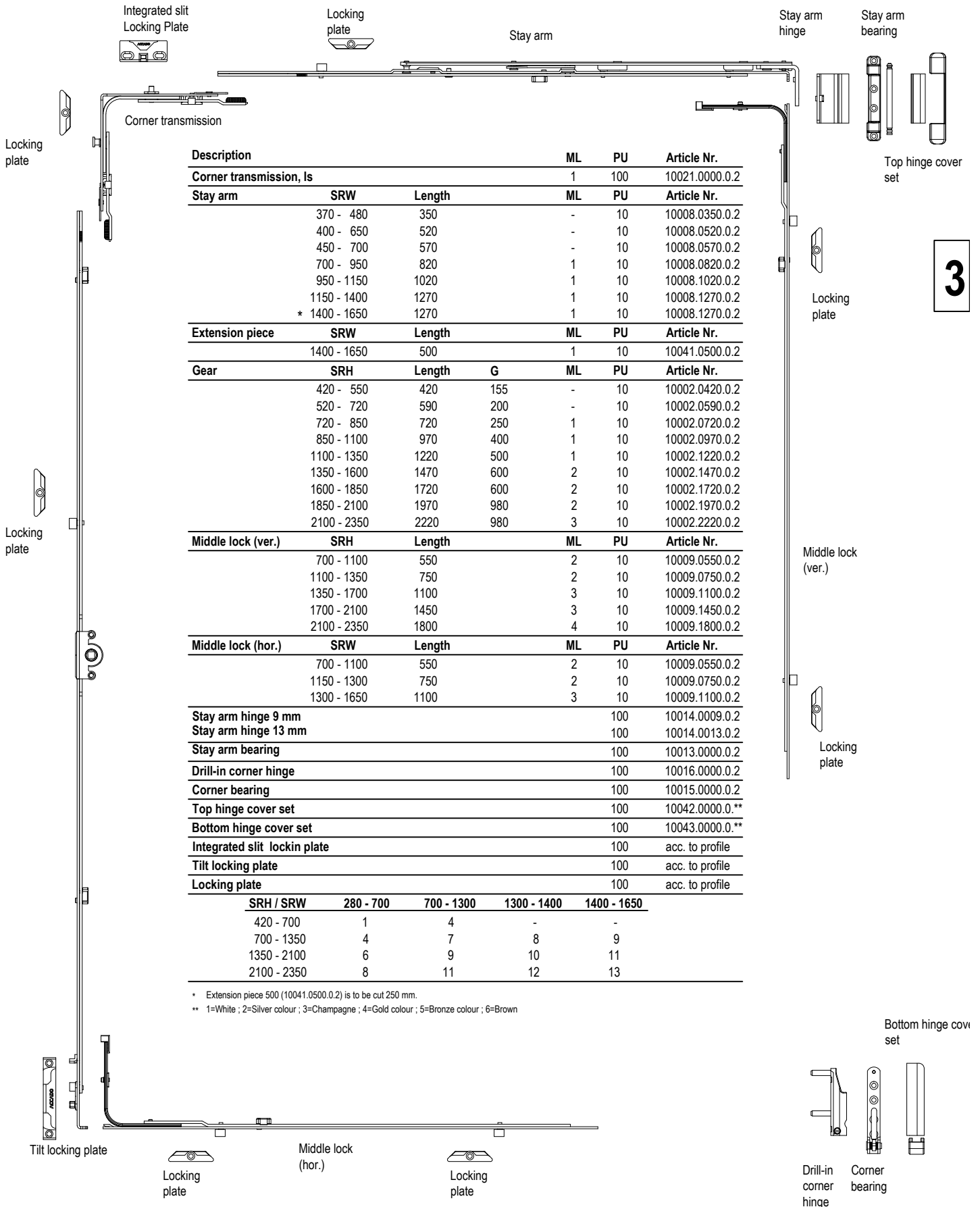
GV Gear F7,5

Middle lock (ver.)

Locking plate



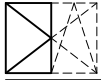
Tilt & Turn - GC Integrated Slit



Description	ML	PU	Article Nr.	
Corner transmission, ls	1	100	10021.0000.0.2	
Stay arm	ML	PU	Article Nr.	
SRW	Length			
370 - 480	350	-	10	10008.0350.0.2
400 - 650	520	-	10	10008.0520.0.2
450 - 700	570	-	10	10008.0570.0.2
700 - 950	820	1	10	10008.0820.0.2
950 - 1150	1020	1	10	10008.1020.0.2
1150 - 1400	1270	1	10	10008.1270.0.2
* 1400 - 1650	1270	1	10	10008.1270.0.2
Extension piece	ML	PU	Article Nr.	
SRW	Length			
1400 - 1650	500	1	10	10041.0500.0.2
Gear	ML	PU	Article Nr.	
SRH	Length	G		
420 - 550	420	155	-	10002.0420.0.2
520 - 720	590	200	-	10002.0590.0.2
720 - 850	720	250	1	10002.0720.0.2
850 - 1100	970	400	1	10002.0970.0.2
1100 - 1350	1220	500	1	10002.1220.0.2
1350 - 1600	1470	600	2	10002.1470.0.2
1600 - 1850	1720	600	2	10002.1720.0.2
1850 - 2100	1970	980	2	10002.1970.0.2
2100 - 2350	2220	980	3	10002.2220.0.2
Middle lock (ver.)	ML	PU	Article Nr.	
SRH	Length			
700 - 1100	550	2	10	10009.0550.0.2
1100 - 1350	750	2	10	10009.0750.0.2
1350 - 1700	1100	3	10	10009.1100.0.2
1700 - 2100	1450	3	10	10009.1450.0.2
2100 - 2350	1800	4	10	10009.1800.0.2
Middle lock (hor.)	ML	PU	Article Nr.	
SRW	Length			
700 - 1100	550	2	10	10009.0550.0.2
1150 - 1300	750	2	10	10009.0750.0.2
1300 - 1650	1100	3	10	10009.1100.0.2
Stay arm hinge 9 mm			100	10014.0009.0.2
Stay arm hinge 13 mm			100	10014.0013.0.2
Stay arm bearing			100	10013.0000.0.2
Drill-in corner hinge			100	10016.0000.0.2
Corner bearing			100	10015.0000.0.2
Top hinge cover set			100	10042.0000.0.**
Bottom hinge cover set			100	10043.0000.0.**
Integrated slit lockin plate			100	acc. to profile
Tilt locking plate			100	acc. to profile
Locking plate			100	acc. to profile
SRH / SRW	280 - 700	700 - 1300	1300 - 1400	1400 - 1650
420 - 700	1	4	-	-
700 - 1350	4	7	8	9
1350 - 2100	6	9	10	11
2100 - 2350	8	11	12	13

* Extension piece 500 (10041.0500.0.2) is to be cut 250 mm.
 ** 1=White ; 2=Silver colour ; 3=Champagne ; 4=Gold colour ; 5=Bronze colour ; 6=Brown

3

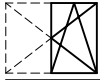


Tilt & Turn Inactive Sash - GV - 2 sash

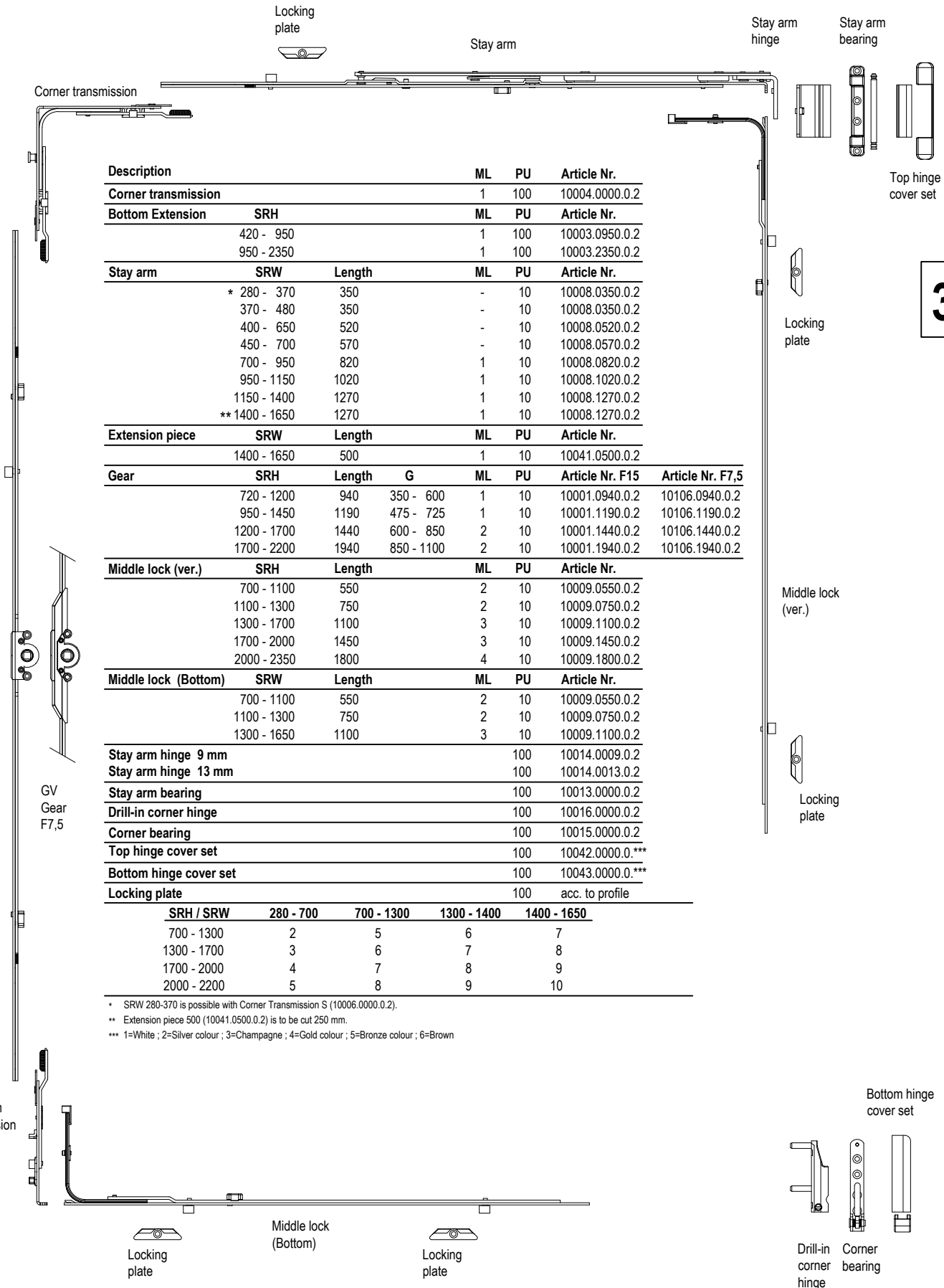
3

Description		ML	PU	Article Nr.	
Shoot Bolt, Top		1	100	10011.0000.0.2	
Shoot Bolt, Bottom		1	100	10012.0000.0.2	
Rebate lever variable	SRH	Length	ML	PU	Article Nr.
	720 - 1200	940	1	10	10010.0940.0.2
	950 - 1450	1190	1	10	10010.1190.0.2
	1200 - 1700	1440	2	10	10010.1440.0.2
	1700 - 2200	1940	2	10	10010.1940.0.2
Fixing plate	SRW	Length	ML	PU	Article Nr.
	280 - 700	70	-	100	10062.0000.0.2
Middle lock (Top/Bottom)	SRW	Length	ML	PU	Article Nr.
	700 - 1100	550	2	10	10009.0550.0.2
	1100 - 1300	750	2	10	10009.0750.0.2
	1300 - 1650	1100	3	10	10009.1100.0.2
Stay arm hinge 9 mm				100	10014.0009.0.2
Stay arm hinge 13 mm				100	10014.0013.0.2
	SRH	Pcs			
	280 - 700	1			
	700 - 1500	2			
	1500 - 2200	3			
Stay arm bearing				100	10013.0000.0.2
	SRH	Pcs			
	280 - 700	1			
	700 - 1500	2			
	1500 - 2200	3			
Adjustable top hinge				100	10022.0000.0.2
Adjustable middle hinge 9 mm				100	10044.0009.0.2
Adjustable middle hinge 13 mm				100	10044.0013.0.2
	SRH	Pcs			
	280 - 700	-			
	700 - 1500	1			
	1500 - 2200	2			
Drill-in corner hinge				100	10016.0000.0.2
Corner bearing				100	10015.0000.0.2
Top hinge cover set				100	10042.0000.0.*
Adjustable middle hinge cover set				100	10374.0000.0.*
	SRH	Pcs			
	280 - 700	-			
	700 - 1500	1			
	1500 - 2200	2			
Bottom hinge cover set				100	10043.0000.0.*
Locking Plate for shoot bolt (Top/Bottom)				100	acc. to profile
Locking plate				100	acc. to profile
	SRH / SRW	280 - 700	700 - 1300	1300 - 1650	
	700 - 2200	-	4	6	

* 1=White ; 2=Silver colour ; 3=Champagne ; 4=Gold colour ; 5=Bronze colour ; 6=Brown



Tilt & Turn Active Sash - GV Vertical Tilt - 2 sash

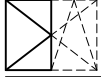


Description	ML	PU	Article Nr.				
Corner transmission	1	100	10004.0000.0.2				
Bottom Extension	ML	PU	Article Nr.				
420 - 950	1	100	10003.0950.0.2				
950 - 2350	1	100	10003.2350.0.2				
Stay arm	SRW	Length	ML	PU	Article Nr.		
* 280 - 370	350	-	10	10008.0350.0.2			
370 - 480	350	-	10	10008.0350.0.2			
400 - 650	520	-	10	10008.0520.0.2			
450 - 700	570	-	10	10008.0570.0.2			
700 - 950	820	1	10	10008.0820.0.2			
950 - 1150	1020	1	10	10008.1020.0.2			
1150 - 1400	1270	1	10	10008.1270.0.2			
** 1400 - 1650	1270	1	10	10008.1270.0.2			
Extension piece	SRW	Length	ML	PU	Article Nr.		
1400 - 1650	500	1	10	10041.0500.0.2			
Gear	SRH	Length	G	ML	PU	Article Nr. F15	Article Nr. F7,5
720 - 1200	940	350 - 600	1	10	10001.0940.0.2	10106.0940.0.2	
950 - 1450	1190	475 - 725	1	10	10001.1190.0.2	10106.1190.0.2	
1200 - 1700	1440	600 - 850	2	10	10001.1440.0.2	10106.1440.0.2	
1700 - 2200	1940	850 - 1100	2	10	10001.1940.0.2	10106.1940.0.2	
Middle lock (ver.)	SRH	Length	ML	PU	Article Nr.		
700 - 1100	550	2	10	10009.0550.0.2			
1100 - 1300	750	2	10	10009.0750.0.2			
1300 - 1700	1100	3	10	10009.1100.0.2			
1700 - 2000	1450	3	10	10009.1450.0.2			
2000 - 2350	1800	4	10	10009.1800.0.2			
Middle lock (Bottom)	SRW	Length	ML	PU	Article Nr.		
700 - 1100	550	2	10	10009.0550.0.2			
1100 - 1300	750	2	10	10009.0750.0.2			
1300 - 1650	1100	3	10	10009.1100.0.2			
Stay arm hinge 9 mm				100	10014.0009.0.2		
Stay arm hinge 13 mm				100	10014.0013.0.2		
Stay arm bearing				100	10013.0000.0.2		
Drill-in corner hinge				100	10016.0000.0.2		
Corner bearing				100	10015.0000.0.2		
Top hinge cover set				100	10042.0000.0.***		
Bottom hinge cover set				100	10043.0000.0.***		
Locking plate				100	acc. to profile		
SRH / SRW	280 - 700	700 - 1300	1300 - 1400	1400 - 1650			
700 - 1300	2	5	6	7			
1300 - 1700	3	6	7	8			
1700 - 2000	4	7	8	9			
2000 - 2200	5	8	9	10			

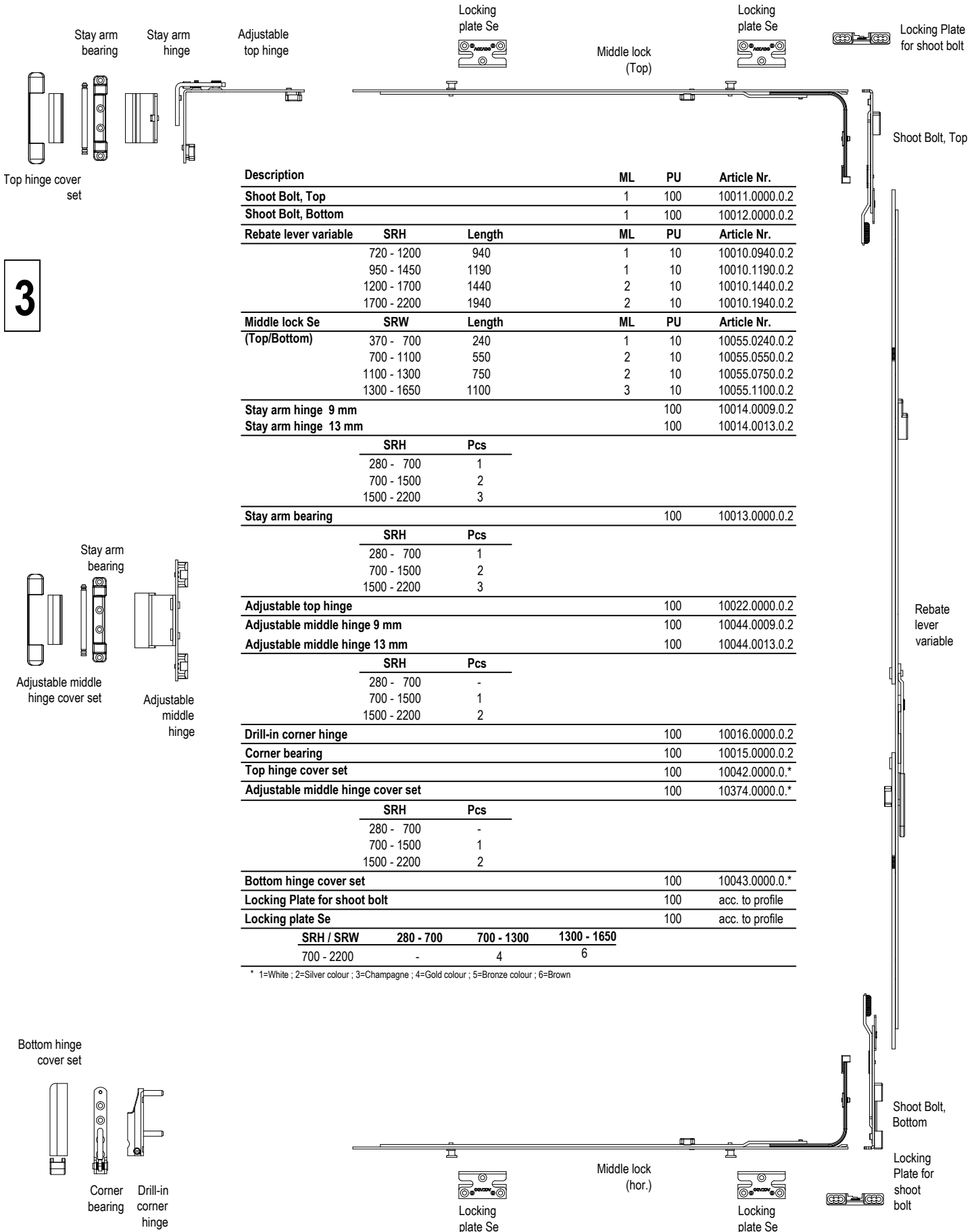
* SRW 280-370 is possible with Corner Transmission S (10006.0000.0.2).

** Extension piece 500 (10041.0500.0.2) is to be cut 250 mm.

*** 1=White ; 2=Silver colour ; 3=Champagne ; 4=Gold colour ; 5=Bronze colour ; 6=Brown



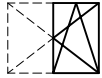
Tilt & Turn Inactive Sash - GV Se - 2 sash



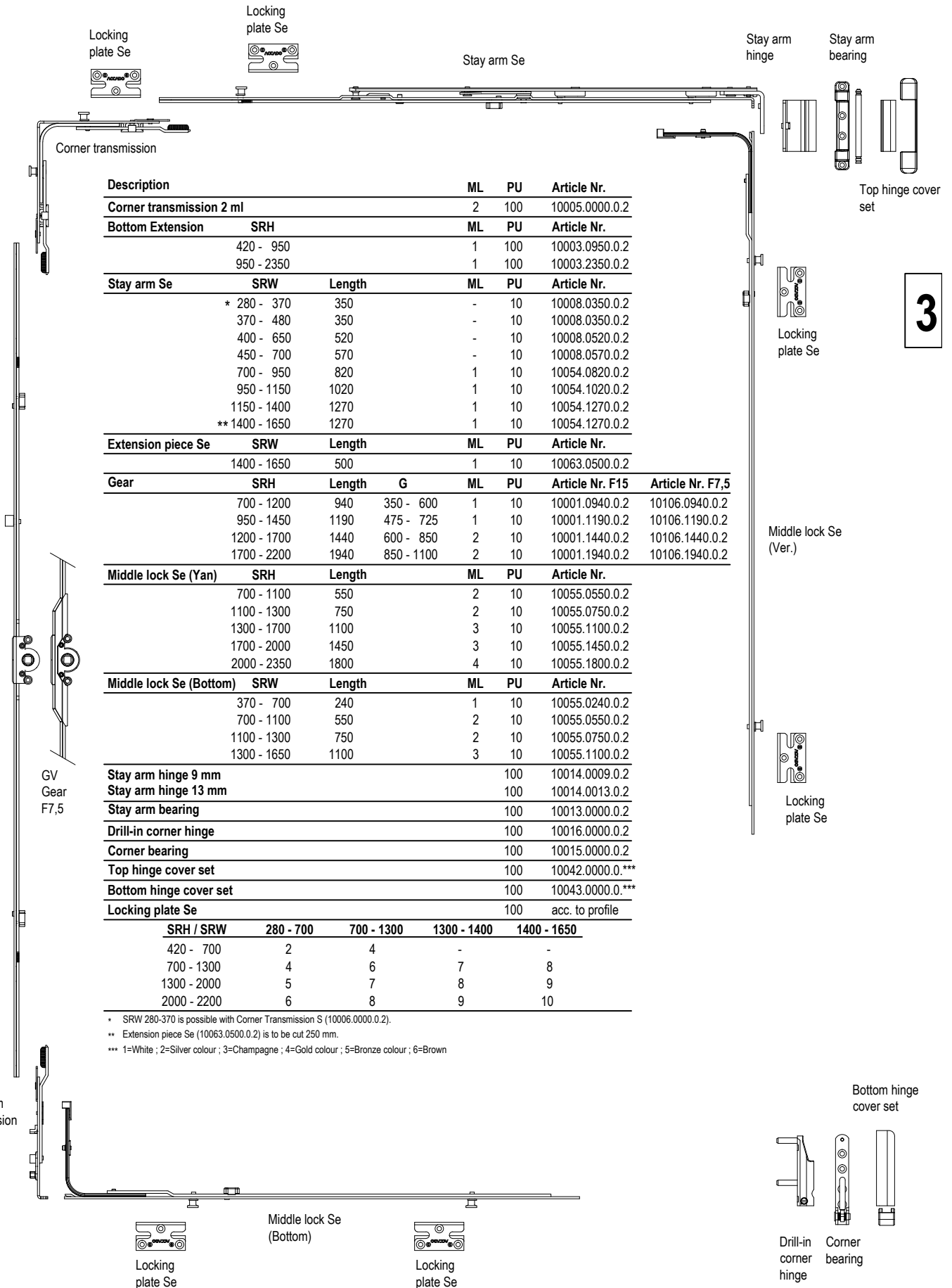
3

Description	ML	PU	Article Nr.
Shoot Bolt, Top	1	100	10011.0000.0.2
Shoot Bolt, Bottom	1	100	10012.0000.0.2
Rebate lever variable	SRH	Length	ML PU Article Nr.
	720 - 1200	940	1 10 10010.0940.0.2
	950 - 1450	1190	1 10 10010.1190.0.2
	1200 - 1700	1440	2 10 10010.1440.0.2
	1700 - 2200	1940	2 10 10010.1940.0.2
Middle lock Se (Top/Bottom)	SRW	Length	ML PU Article Nr.
	370 - 700	240	1 10 10055.0240.0.2
	700 - 1100	550	2 10 10055.0550.0.2
	1100 - 1300	750	2 10 10055.0750.0.2
	1300 - 1650	1100	3 10 10055.1100.0.2
Stay arm hinge 9 mm			100 10014.0009.0.2
Stay arm hinge 13 mm			100 10014.0013.0.2
	SRH	Pcs	
	280 - 700	1	
	700 - 1500	2	
	1500 - 2200	3	
Stay arm bearing			100 10013.0000.0.2
	SRH	Pcs	
	280 - 700	1	
	700 - 1500	2	
	1500 - 2200	3	
Adjustable top hinge			100 10022.0000.0.2
Adjustable middle hinge 9 mm			100 10044.0009.0.2
Adjustable middle hinge 13 mm			100 10044.0013.0.2
	SRH	Pcs	
	280 - 700	-	
	700 - 1500	1	
	1500 - 2200	2	
Drill-in corner hinge			100 10016.0000.0.2
Corner bearing			100 10015.0000.0.2
Top hinge cover set			100 10042.0000.0.*
Adjustable middle hinge cover set			100 10374.0000.0.*
	SRH	Pcs	
	280 - 700	-	
	700 - 1500	1	
	1500 - 2200	2	
Bottom hinge cover set			100 10043.0000.0.*
Locking Plate for shoot bolt			100 acc. to profile
Locking plate Se			100 acc. to profile
	SRH / SRW	280 - 700	700 - 1300
	700 - 2200	-	4
			6

* 1=White ; 2=Silver colour ; 3=Champagne ; 4=Gold colour ; 5=Bronze colour ; 6=Brown



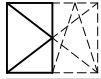
Tilt & Turn Active Sash - GV Se - 2 sash



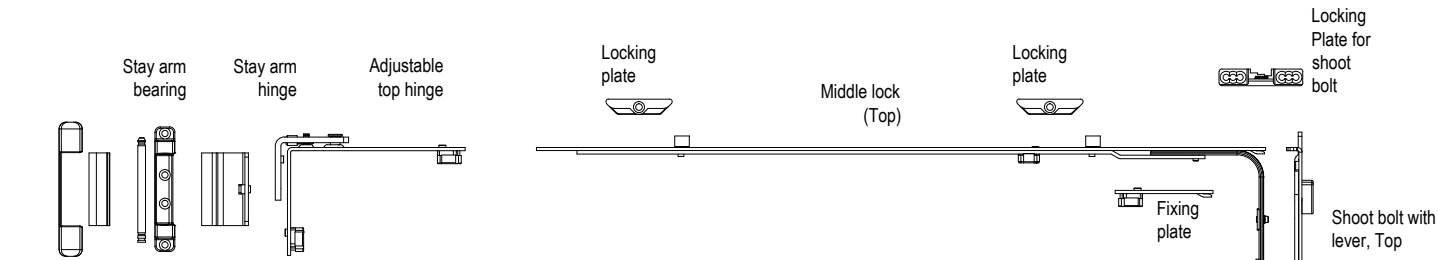
Description	ML	PU	Article Nr.				
Corner transmission 2 ml	2	100	10005.0000.0.2				
Bottom Extension	ML	PU	Article Nr.				
420 - 950	1	100	10003.0950.0.2				
950 - 2350	1	100	10003.2350.0.2				
Stay arm Se	SRW	Length	ML	PU	Article Nr.		
* 280 - 370	350	-	10	10008.0350.0.2			
370 - 480	350	-	10	10008.0350.0.2			
400 - 650	520	-	10	10008.0520.0.2			
450 - 700	570	-	10	10008.0570.0.2			
700 - 950	820	1	10	10054.0820.0.2			
950 - 1150	1020	1	10	10054.1020.0.2			
1150 - 1400	1270	1	10	10054.1270.0.2			
** 1400 - 1650	1270	1	10	10054.1270.0.2			
Extension piece Se	SRW	Length	ML	PU	Article Nr.		
1400 - 1650	500	1	10	10063.0500.0.2			
Gear	SRH	Length	G	ML	PU	Article Nr. F15	Article Nr. F7,5
700 - 1200	940	350 - 600	1	10	10001.0940.0.2	10106.0940.0.2	
950 - 1450	1190	475 - 725	1	10	10001.1190.0.2	10106.1190.0.2	
1200 - 1700	1440	600 - 850	2	10	10001.1440.0.2	10106.1440.0.2	
1700 - 2200	1940	850 - 1100	2	10	10001.1940.0.2	10106.1940.0.2	
Middle lock Se (Yan)	SRH	Length	ML	PU	Article Nr.		
700 - 1100	550	2	10	10055.0550.0.2			
1100 - 1300	750	2	10	10055.0750.0.2			
1300 - 1700	1100	3	10	10055.1100.0.2			
1700 - 2000	1450	3	10	10055.1450.0.2			
2000 - 2350	1800	4	10	10055.1800.0.2			
Middle lock Se (Bottom)	SRW	Length	ML	PU	Article Nr.		
370 - 700	240	1	10	10055.0240.0.2			
700 - 1100	550	2	10	10055.0550.0.2			
1100 - 1300	750	2	10	10055.0750.0.2			
1300 - 1650	1100	3	10	10055.1100.0.2			
Stay arm hinge 9 mm				100	10014.0009.0.2		
Stay arm hinge 13 mm				100	10014.0013.0.2		
Stay arm bearing				100	10013.0000.0.2		
Drill-in corner hinge				100	10016.0000.0.2		
Corner bearing				100	10015.0000.0.2		
Top hinge cover set				100	10042.0000.0.***		
Bottom hinge cover set				100	10043.0000.0.***		
Locking plate Se				100	acc. to profile		
SRH / SRW	280 - 700	700 - 1300	1300 - 1400	1400 - 1650			
420 - 700	2	4	-	-			
700 - 1300	4	6	7	8			
1300 - 2000	5	7	8	9			
2000 - 2200	6	8	9	10			

* SRW 280-370 is possible with Corner Transmission S (10006.0000.0.2).
 ** Extension piece Se (10063.0500.0.2) is to be cut 250 mm.
 *** 1=White ; 2=Silver colour ; 3=Champagne ; 4=Gold colour ; 5=Bronze colour ; 6=Brown

3



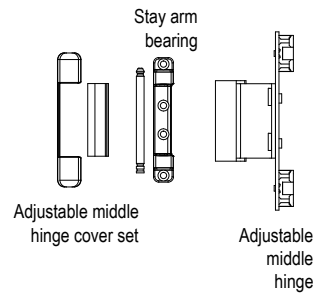
Tilt & Turn Inactive Sash - GV/GC - 2 sash



Top hinge cover set

3

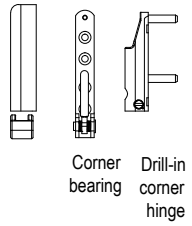
Description	ML	PU	Article Nr.	
Shoot bolt with lever, Top	1	25	10060.0000.0.2	
Shoot bolt with lever, Bottom	1	25	10061.0000.0.2	
Fixing plate	ML	PU	Article Nr.	
280 - 700	70	-	10062.0000.0.2	
Middle lock (Top/Bottom)	SRW	Length	ML PU Article Nr.	
700 - 1100	550	2	10	10009.0550.0.2
1100 - 1300	750	2	10	10009.0750.0.2
1300 - 1650	1100	3	10	10009.1100.0.2
Stay arm hinge 9 mm		100	10014.0009.0.2	
Stay arm hinge 13 mm		100	10014.0013.0.2	
SRH	Pcs			
280 - 700	1			
700 - 1500	2			
1500 - 2200	3			
Stay arm bearing		100	10013.0000.0.2	
SRH	Pcs			
280 - 700	1			
700 - 1500	2			
1500 - 2200	3			
Adjustable top hinge		100	10022.0000.0.2	
Adjustable middle hinge 9 mm		100	10044.0009.0.2	
Adjustable middle hinge 13 mm		100	10044.0013.0.2	
SRH	Pcs			
280 - 700	-			
700 - 1500	1			
1500 - 2200	2			
Drill-in corner hinge		100	10016.0000.0.2	
Corner bearing		100	10015.0000.0.2	
Top hinge cover set		100	10042.0000.0.*	
Adjustable middle hinge cover set		100	10042.0000.0.*	
SRH	Pcs			
280 - 700	-			
700 - 1500	1			
1500 - 2200	2			
Bottom hinge cover set		100	10043.0000.0.*	
Locking Plate for shoot bolt (Top / Bottom)		100	acc. to profile	
Rebate locking plate		100	20146.0000.0.2	



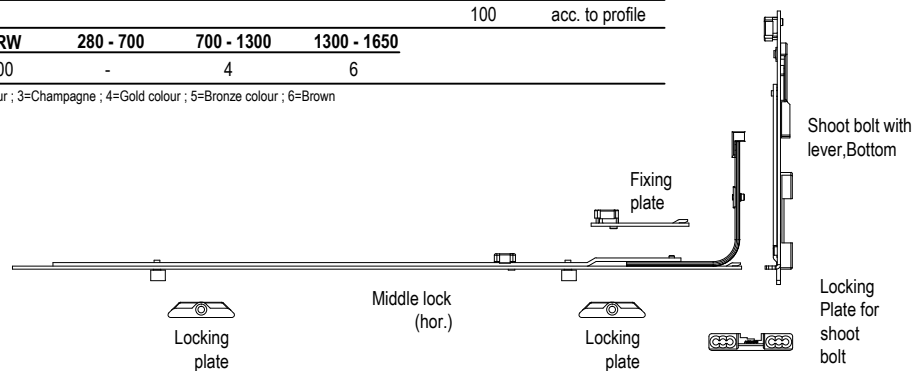
Adjustable middle hinge cover set

Adjustable middle hinge

Bottom hinge cover set



Corner bearing
Drill-in corner hinge



Shoot bolt with lever, Bottom

Locking Plate for shoot bolt

GV		GC	
SRH / SRW	280 - 1650	SRH / SRW	280 - 1650
420 - 700	-	420 - 720	-
700 - 1200	1	720 - 1350	1
1200 - 2200	2	1350 - 2100	2
		2100 - 2350	3
Locking plate		100	acc. to profile
SRH / SRW	280 - 700	700 - 1300	1300 - 1650
700 - 2200	-	4	6

* 1=White ; 2=Silver colour ; 3=Champagne ; 4=Gold colour ; 5=Bronze colour ; 6=Brown

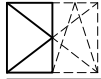


Tilt & Turn Active Sash - GV/GC - 2 sash

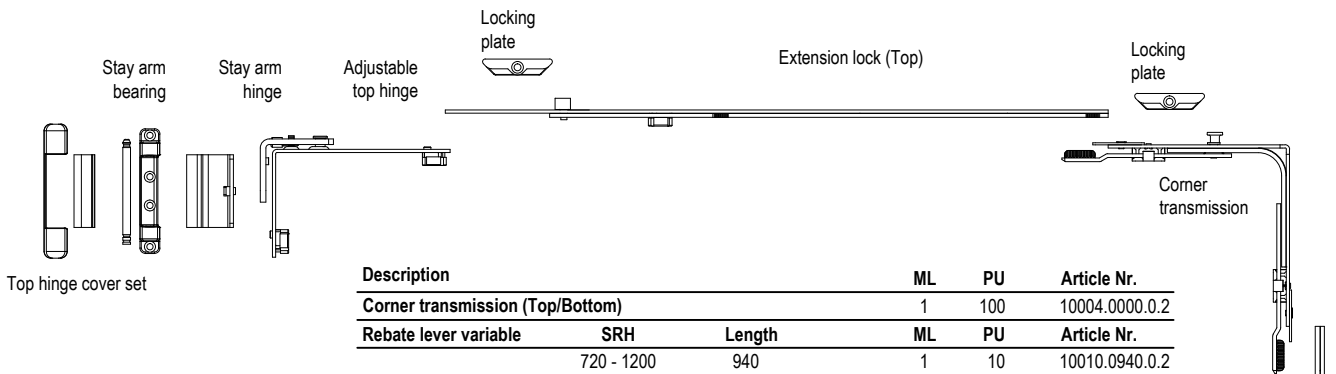
Description	ML	PU	Article Nr.				
Corner transmission	1	100	10004.0000.0.2				
Bottom Extension (Only GV)	SRH	ML	PU	Article Nr.			
420 - 950	1	100	10003.0950.0.2				
950 - 2350	1	100	10003.2350.0.2				
Stay arm	SRW	Length	ML	PU	Article Nr.		
* 280 - 370	350	-	10	10008.0350.0.2			
370 - 480	350	-	10	10008.0350.0.2			
400 - 650	520	-	10	10008.0520.0.2			
450 - 700	570	-	10	10008.0570.0.2			
700 - 950	820	1	10	10008.0820.0.2			
950 - 1150	1020	1	10	10008.1020.0.2			
1150 - 1400	1270	1	10	10008.1270.0.2			
** 1400 - 1650	1270	1	10	10008.1270.0.2			
Extension piece	SRW	Length	ML	PU	Article Nr.		
1400 - 1650	500	1	10	10041.0500.0.2			
GV Gear	SRH	Length	G	ML	PU	Article Nr.F15	Article Nr. F7,5
420 - 530	270	210 - 265	-	10	10001.0270.0.2		
530 - 700	440	265 - 350	-	10	10001.0440.0.2		10106.0440.0.2
700 - 1200	940	350 - 600	1	10	10001.0940.0.2		10106.0940.0.2
950 - 1450	1190	475 - 725	1	10	10001.1190.0.2		10106.1190.0.2
1200 - 1700	1440	600 - 850	2	10	10001.1440.0.2		10106.1440.0.2
1700 - 2200	1940	850 - 1100	2	10	10001.1940.0.2		10106.1940.0.2
GC Gear	SRH	Length	G	ML	PU	Article Nr.	
420 - 550	420	155	-	10	10002.0420.0.2		
520 - 720	590	200	-	10	10002.0590.0.2		
720 - 850	720	250	1	10	10002.0720.0.2		
850 - 1100	970	400	1	10	10002.0970.0.2		
1100 - 1350	1220	500	1	10	10002.1220.0.2		
1350 - 1600	1470	600	2	10	10002.1470.0.2		
1600 - 1850	1720	600	2	10	10002.1720.0.2		
1850 - 2100	1970	980	2	10	10002.1970.0.2		
2100 - 2350	2220	980	3	10	10002.2220.0.2		
Middle lock (ver.)	SRH	Length	ML	PU	Article Nr.		
700 - 1100	550		2	10	10009.0550.0.2		
1100 - 1300	750		2	10	10009.0750.0.2		
1300 - 1700	1100		3	10	10009.1100.0.2		
1700 - 2000	1450		3	10	10009.1450.0.2		
2000 - 2350	1800		4	10	10009.1800.0.2		
Middle lock (hor.)	SRW	Length	ML	PU	Article Nr.		
700 - 1100	550		2	10	10009.0550.0.2		
1100 - 1300	750		2	10	10009.0750.0.2		
1300 - 1650	1100		3	10	10009.1100.0.2		
Stay arm hinge 9 mm				100	10014.0009.0.2		
Stay arm hinge 13 mm				100	10014.0013.0.2		
Stay arm bearing				100	10013.0000.0.2		
Drill-in corner hinge				100	10016.0000.0.2		
Corner bearing				100	10015.0000.0.2		
Top hinge cover set				100	10042.0000.0.***		
Bottom hinge cover set				100	10043.0000.0.***		
Locking plate				100	acc. to profile		
SRW / SRW	280 - 700	700 - 1300	1300 - 1400	1400 - 1650			
700 - 1300	2	5	6	7			
1300 - 1700	3	6	7	8			
1700 - 2000	4	7	8	9			
2000 - 2350	5	8	9	10			

* SRW 280-370 is possible with Corner Transmission S (10006.0000.0.2).
 ** Extension piece 500 (10041.0500.0.2) is to be cut 250 mm.
 *** 1=White ; 2=Silver colour ; 3=Champagne ; 4=Gold colour ; 5=Bronze colour ; 6=Brown

3



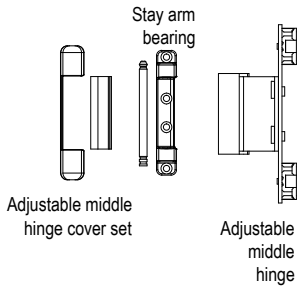
Tilt & Turn Inactive Sash - GV/GC - 2 sash



Top hinge cover set

3

Description	ML	PU	Article Nr.
Corner transmission (Top/Bottom)	1	100	10004.0000.0.2
Rebate lever variable	SRH	Length	ML PU Article Nr.
	720 - 1200	940	1 10 10010.0940.0.2
	950 - 1450	1190	1 10 10010.1190.0.2
	1200 - 1700	1440	2 10 10010.1440.0.2
	1700 - 2200	1940	2 10 10010.1940.0.2
Extension lock (Top/Bottom)	SRW	Length	ML PU Article Nr.
	700 - 1450	710	2 10 10057.0710.0.2
Stay arm hinge 9 mm			100 10014.0009.0.2
Stay arm hinge 13 mm			100 10014.0013.0.2
	SRH	Pcs	
	280 - 700	1	
	700 - 1500	2	
	1500 - 2200	3	
Stay arm bearing			100 10013.0000.0.2
	SRH	Pcs	
	280 - 700	1	
	700 - 1500	2	
	1500 - 2200	3	
Adjustable top hinge			100 10022.0000.0.2
Adjustable middle hinge 9 mm			100 10044.0009.0.2
Adjustable middle hinge 13 mm			100 10044.0013.0.2
	SRH	Pcs	
	280 - 700	-	
	700 - 1500	1	
	1500 - 2200	2	
Drill-in corner hinge			100 10016.0000.0.2
Corner bearing			100 10015.0000.0.2
Top hinge cover set			100 10042.0000.0.*
	SRH	Pcs	
	280 - 700	-	
	700 - 1500	1	
	1500 - 2200	2	
Bottom hinge cover set			100 10043.0000.0.*
Locking plate			100 acc. to profile
	SRW	280 - 700	700 - 1450
	700 - 2200	2	4
Adjustable middle hinge cover set			100 10374.0000.0.*
	SRH	Pcs	
	280 - 700	-	
	700 - 1500	1	
	1500 - 2200	2	

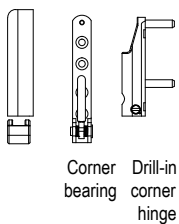


Adjustable middle hinge cover set

Adjustable middle hinge

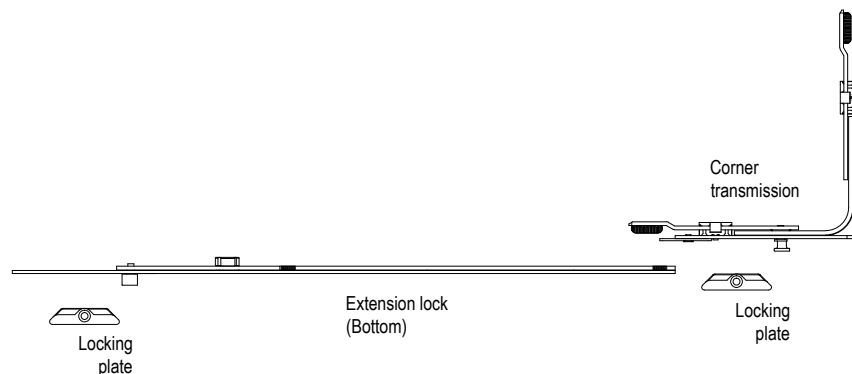
Rebate lever variable

Bottom hinge cover set



Corner bearing

Drill-in corner hinge

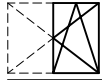


Locking plate

Extension lock (Bottom)

Locking plate

Corner transmission



Tilt & Turn Active Sash - GV - 2 sash

Description	ML	PU	Article Nr.				
Corner transmission	1	100	10004.0000.0.2				
Stay arm	ML	PU	Article Nr.				
* 280 - 370	350	-	10	10008.0350.0.2			
370 - 480	350	-	10	10008.0350.0.2			
400 - 650	520	-	10	10008.0520.0.2			
450 - 700	570	-	10	10008.0570.0.2			
700 - 950	820	1	10	10008.0820.0.2			
950 - 1150	1020	1	10	10008.1020.0.2			
1150 - 1400	1270	1	10	10008.1270.0.2			
** 1400 - 1650	1270	1	10	10008.1270.0.2			
Extension piece	SRW	Length	ML	PU	Article Nr.		
1400 - 1650	500		1	10	10041.0500.0.2		
Gear	SRH	Length	G	ML	PU	Article Nr. F15	Article Nr. F7,5
720 - 1200	940	350 - 600		1	10	10001.0940.0.2	10106.0940.0.2
950 - 1450	1190	475 - 725		1	10	10001.1190.0.2	10106.1190.0.2
1200 - 1700	1440	600 - 850		2	10	10001.1440.0.2	10106.1440.0.2
1700 - 2200	1940	850 - 1100		2	10	10001.1940.0.2	10106.1940.0.2
Middle lock (ver.)	SRH	Length	ML	PU	Article Nr.		
700 - 1100	550		2	10	10009.0550.0.2		
1100 - 1300	750		2	10	10009.0750.0.2		
1300 - 1700	1100		3	10	10009.1100.0.2		
1700 - 2000	1450		3	10	10009.1450.0.2		
2000 - 2350	1800		4	10	10009.1800.0.2		
Extension lock	SRW	Length	ML	PU	Article Nr.		
700 - 1450	710		1	10	10057.0710.0.2		
Stay arm hinge 9 mm				100	10014.0009.0.2		
Stay arm hinge 13 mm				100	10014.0013.0.2		
Stay arm bearing				100	10013.0000.0.2		
Drill-in corner hinge				100	10016.0000.0.2		
Corner bearing				100	10015.0000.0.2		
Top hinge cover set				100	10042.0000.0.***		
Bottom hinge cover set				100	10043.0000.0.***		
Horizontal tilt locking plate				100	acc. to profile		
Locking plate				100	acc. to profile		
SRH / SRW	280 - 700	700 - 1450					
700 - 1300	3	5					
1300 - 1700	4	6					
1700 - 2000	5	7					
2000 - 2200	6	8					

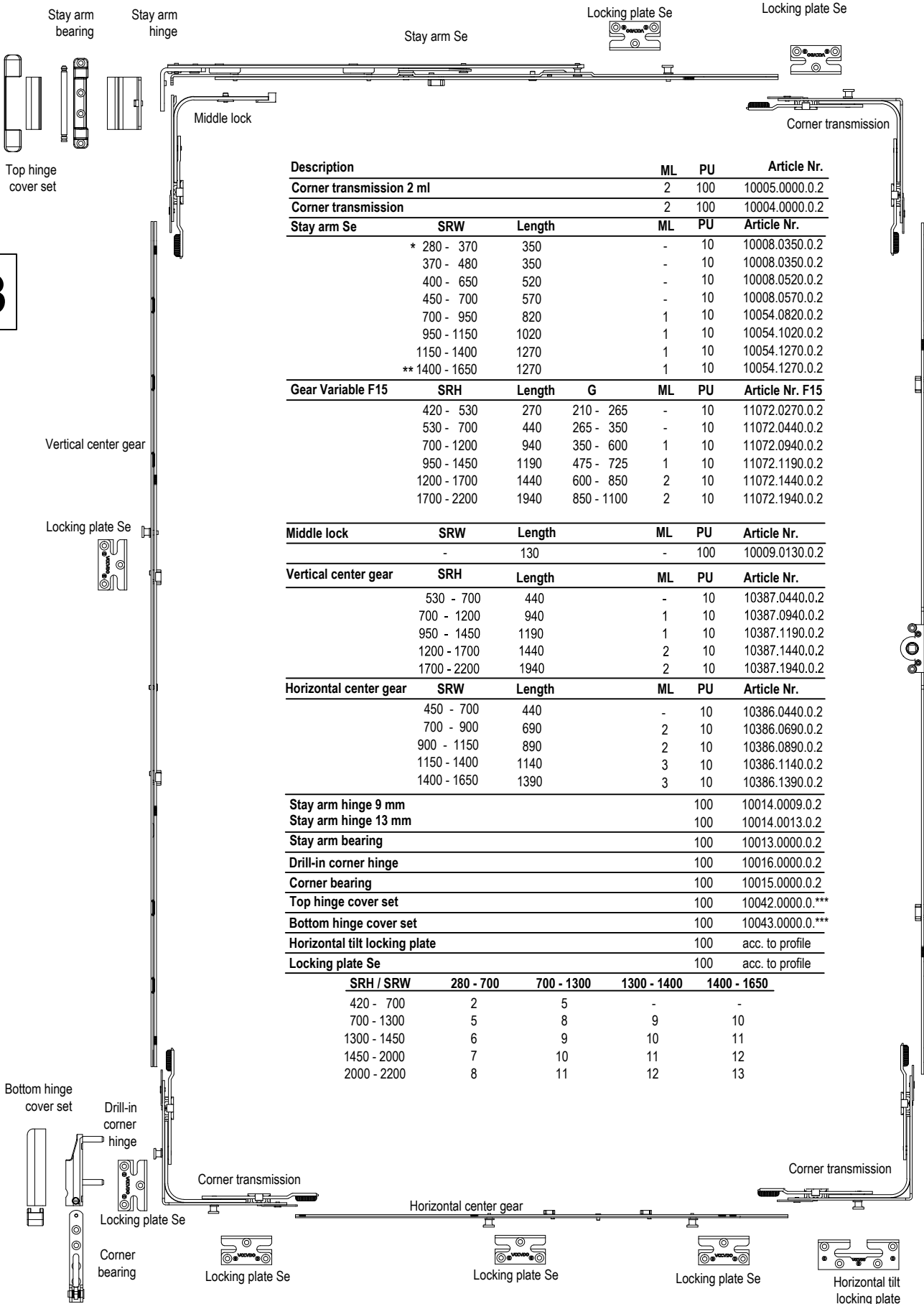
* SRW 280-370 is possible with Corner Transmission S (10006.0000.0.2).
 ** Extension piece 500 (10041.0500.0.2) is to be cut 250 mm.
 *** 1=White ; 2=Silver colour ; 3=Champagne ; 4=Gold colour ; 5=Bronze colour ; 6=Brown

3



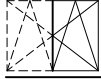
Tilt & Turn Inactive Sash - GV Se - 2 Sash

3



Description	ML	PU	Article Nr.
Corner transmission 2 ml	2	100	10005.0000.0.2
Corner transmission	2	100	10004.0000.0.2
Stay arm Se	SRW	Length	ML PU Article Nr.
	* 280 - 370	350	- 10 10008.0350.0.2
	370 - 480	350	- 10 10008.0350.0.2
	400 - 650	520	- 10 10008.0520.0.2
	450 - 700	570	- 10 10008.0570.0.2
	700 - 950	820	1 10 10054.0820.0.2
	950 - 1150	1020	1 10 10054.1020.0.2
	1150 - 1400	1270	1 10 10054.1270.0.2
	** 1400 - 1650	1270	1 10 10054.1270.0.2
Gear Variable F15	SRH	Length	G ML PU Article Nr. F15
	420 - 530	270	210 - 265 - 10 11072.0270.0.2
	530 - 700	440	265 - 350 - 10 11072.0440.0.2
	700 - 1200	940	350 - 600 1 10 11072.0940.0.2
	950 - 1450	1190	475 - 725 1 10 11072.1190.0.2
	1200 - 1700	1440	600 - 850 2 10 11072.1440.0.2
	1700 - 2200	1940	850 - 1100 2 10 11072.1940.0.2
Middle lock	SRW	Length	ML PU Article Nr.
	-	130	- 100 10009.0130.0.2
Vertical center gear	SRH	Length	ML PU Article Nr.
	530 - 700	440	- 10 10387.0440.0.2
	700 - 1200	940	1 10 10387.0940.0.2
	950 - 1450	1190	1 10 10387.1190.0.2
	1200 - 1700	1440	2 10 10387.1440.0.2
	1700 - 2200	1940	2 10 10387.1940.0.2
Horizontal center gear	SRW	Length	ML PU Article Nr.
	450 - 700	440	- 10 10386.0440.0.2
	700 - 900	690	2 10 10386.0690.0.2
	900 - 1150	890	2 10 10386.0890.0.2
	1150 - 1400	1140	3 10 10386.1140.0.2
	1400 - 1650	1390	3 10 10386.1390.0.2
Stay arm hinge 9 mm			100 10014.0009.0.2
Stay arm hinge 13 mm			100 10014.0013.0.2
Stay arm bearing			100 10013.0000.0.2
Drill-in corner hinge			100 10016.0000.0.2
Corner bearing			100 10015.0000.0.2
Top hinge cover set			100 10042.0000.0.***
Bottom hinge cover set			100 10043.0000.0.***
Horizontal tilt locking plate			100 acc. to profile
Locking plate Se			100 acc. to profile
SRH / SRW	280 - 700	700 - 1300	1300 - 1400 1400 - 1650
	420 - 700	2	5 - 9 - 10
	700 - 1300	5	8 - 10 - 11
	1300 - 1450	6	9 - 10 - 11
	1450 - 2000	7	10 - 11 - 12
	2000 - 2200	8	11 - 12 - 13

Gear Variable F15 F15



Tilt & Turn Active Sash - GV Se - 2 Sash

Description	ML	PU	Article Nr.			
Corner transmission						
Corner transmission 2 ml	2	100	10005.0000.0.2			
Extension piece 180° Se	1	100	10068.0000.0.2			
Stay arm Se						
SRW	Length	ML	PU			
280 - 370	350	-	10			
370 - 480	350	-	10			
400 - 650	520	-	10			
450 - 700	570	-	10			
700 - 950	820	1	10			
950 - 1150	1020	1	10			
1150 - 1400	1270	1	10			
** 1400 - 1650	1270	1	10			
Middle lock						
SRW	Length	ML	PU			
-	130	-	100			
Middle lock Se						
SRW	Length	ML	PU			
-	130	1	100			
Extension piece Se						
SRW	Length	ML	PU			
1400 - 1650	500	1	10			
Gear Se						
SRH	Length	G	ML	PU	Article Nr. F15	Article Nr. F7,5
420 - 530	270	210 - 265	-	10	10001.0270.0.2	
530 - 700	440	265 - 350	-	10	10001.0440.0.2	10106.0440.0.2
700 - 1200	940	350 - 600	1	10	10052.0940.0.2	10107.0940.0.2
950 - 1450	1190	475 - 725	1	10	10052.1190.0.2	10107.1190.0.2
1200 - 1700	1440	600 - 850	2	10	10052.1440.0.2	10107.1440.0.2
1700 - 2200	1940	850 - 1100	2	10	10052.1940.0.2	10107.1940.0.2
Vertical center gear						
SRH	Length	ML	PU	Article Nr.		
530 - 700	440	-	10	10387.0440.0.2		
700 - 1200	940	1	10	10387.0940.0.2		
950 - 1450	1190	1	10	10387.1190.0.2		
1200 - 1700	1440	2	10	10387.1440.0.2		
1700 - 2200	1940	2	10	10387.1940.0.2		
Horizontal center gear						
SRW	Length	ML	PU	Article Nr.		
450 - 700	440	-	10	10386.0440.0.2		
700 - 900	690	2	10	10386.0690.0.2		
900 - 1150	890	2	10	10386.0890.0.2		
1150 - 1400	1140	3	10	10386.1140.0.2		
1400 - 1650	1390	3	10	10386.1390.0.2		
Stay arm hinge 9 mm				100	10014.0009.0.2	
Stay arm hinge 13 mm				100	10014.0013.0.2	
Stay arm bearing				100	10013.0000.0.2	
Drill-in corner hinge				100	10016.0000.0.2	
Corner bearing				100	10015.0000.0.2	
Top hinge cover set				100	10042.0000.0.***	
Bottom hinge cover set				100	10043.0000.0.***	
Horizontal tilt locking plate				100	acc. to profile	
Locking plate Se				100	acc. to profile	
SRH / SRW	280 - 700	700 - 1300	1300 - 1400	1400 - 1650		
420 - 700	2	5	-	-		
700 - 1300	5	8	9	10		
1300 - 1450	6	9	10	11		
1450 - 2000	7	10	11	12		
2000 - 2200	8	11	12	13		

* SRW 280-370 is possible with Corner Transmission S (10006.0000.0.2).

** Extension piece Se (10063.0500.0.2) is to be cut 250 mm.

*** 1=White ; 2=Silver colour ; 3=Champagne ; 4=Gold colour ; 5=Bronze colour ; 6=Brown

3



Turn-Only - GV

3

Extension piece, 180°

Locking plate

Locking plate

Locking plate

GV Gear F15

GV Gear F7,5

Locking plate

Extension piece, 90°

Locking plate

Locking plate

Middle lock (Top)

Middle lock (hor.)

Adjustable top hinge

Stay arm hinge

Stay arm bearing

Top hinge cover set

Stay arm bearing

Adjustable middle hinge

Adjustable middle hinge cover set

Adjustable bottom hinge

Corner bearing

Adjustable Bottom hinge cover set

Description		ML	PU	Article Nr.			
Extension piece, 90° (Bottom)		1	100	10066.0000.0.2			
Extension piece, 180° (Top)		1	100	10040.0000.0.2			
Gear	SRH	Length	G	ML	PU	Article Nr. F15	Article Nr. F7,5
	420 - 530	270	210 - 265	-	10	10001.0270.0.2	
	530 - 700	440	265 - 350	-	10	10001.0440.0.2	10106.0440.0.2
	700 - 1200	940	350 - 600	1	10	10001.0940.0.2	10106.0940.0.2
	950 - 1450	1190	475 - 725	1	10	10001.1190.0.2	10106.1190.0.2
	1200 - 1700	1440	600 - 850	2	10	10001.1440.0.2	10106.1440.0.2
	1700 - 2200	1940	850 - 1100	2	10	10001.1940.0.2	10106.1940.0.2
Middle lock (Top / Bottom)	SRH	Length		ML	PU	Article Nr.	
	700 - 1100	550		2	10	10009.0550.0.2	
	1150 - 1300	750		2	10	10009.0750.0.2	
	1300 - 1650	1100		3	10	10009.1100.0.2	
Stay arm hinge 9 mm					100	10014.0009.0.2	
Stay arm hinge 13 mm					100	10014.0013.0.2	
	SRH	Pcs					
	280 - 700	1					
	700 - 1500	2					
	1500 - 2200	3					
Stay arm bearing					100	10013.0000.0.2	
	SRH	Pcs					
	280 - 700	1					
	700 - 1500	2					
	1500 - 2200	3					
Adjustable top hinge					100	10022.0000.0.2	
Adjustable middle hinge 9 mm					100	10044.0009.0.2	
Adjustable middle hinge 13 mm					100	10044.0013.0.2	
	SRH	Pcs					
	280 - 700	-					
	700 - 1500	1					
	1500 - 2200	2					
Adjustable bottom hinge, 9 mm, Right					100	10023.0009.R.2	
Adjustable bottom hinge, 9 mm, Left					100	10023.0009.L.2	
Adjustable bottom hinge, 13 mm, Right					100	10023.0013.R.2	
Adjustable bottom hinge, 13 mm, Left					100	10023.0013.L.2	
Corner bearing					100	10015.0000.0.2	
Top hinge cover set					100	10042.0000.0.*	
	SRH	Pcs					
	280 - 700	-					
	700 - 1500	1					
	1500 - 2200	2					
Adjustable middle hinge cover set					100	10374.0000.0.*	
	SRH	Pcs					
	280 - 700	-					
	700 - 1500	1					
	1500 - 2200	2					
Adjustable bottom hinge cover set, Right					100	10045.0000.R.*	
Adjustable bottom hinge cover set, Left					100	10045.0000.L.*	
Tilt locking plate					100	acc. to profile	
Locking plate					100	acc. to profile	
SRH / SRW	280 - 700	700 - 1300	1300 - 1650				
420 - 700	2	6	8				
700 - 1450	3	7	9				
1450 - 2200	4	8	10				

* 1=White ; 2=Silver colour ; 3=Champagne ; 4=Gold colour ; 5=Bronze colour ; 6=Brown



Turn-Only - GV

Locking plate

Extension lock (Top)

Locking plate

Adjustable top hinge

Stay arm hinge

Stay arm bearing

Top hinge cover set

3

Locking plate

Locking plate

GV Gear F15

GV Gear F7,5

Locking plate

Locking plate

Locking plate

Corner transmission

Extension lock (Bottom)

Locking plate

Adjustable bottom hinge

Corner bearing

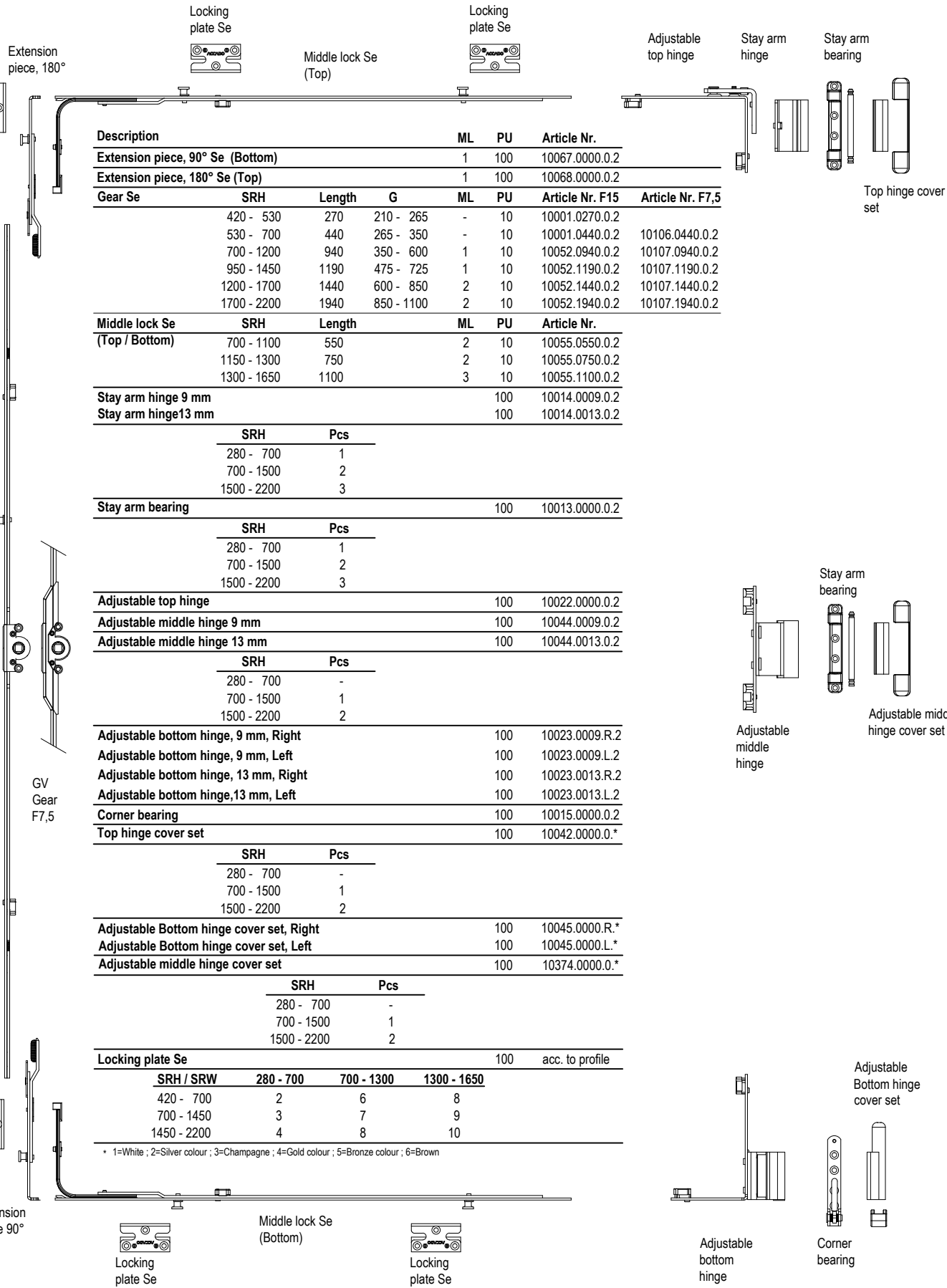
Description	ML	PU	Article Nr.	
Corner transmission	1	100	10004.0000.0.2	
Gear	SRH	Length	G	ML PU Article Nr. F15 Article Nr. F7,5
	420 - 530	270	210 - 265	- 10 10001.0270.0.2
	530 - 700	440	265 - 350	- 10 10001.0440.0.2 10106.0440.0.2
	700 - 1200	940	350 - 600	1 10 10001.0940.0.2 10106.0940.0.2
	950 - 1450	1190	475 - 725	1 10 10001.1190.0.2 10106.1190.0.2
	1200 - 1700	1440	600 - 850	2 10 10001.1440.0.2 10106.1440.0.2
	1700 - 2200	1940	850 - 1100	2 10 10001.1940.0.2 10106.1940.0.2
Extension lock (Top/Bottom)	SRH	Length	ML	PU Article Nr.
	700 - 1450	710	1	10 10057.0710.0.2
Stay arm hinge 9 mm				100 10014.0009.0.2
Stay arm hinge 13 mm				100 10014.0013.0.2
	SRH	Pcs		
	280 - 700	1		
	700 - 1500	2		
	1500 - 2200	3		
Stay arm bearing (Top / Center)				100 10013.0000.0.2
	SRH	Pcs		
	280 - 700	1		
	700 - 1500	2		
	1500 - 2200	3		
Adjustable top hinge				100 10022.0000.0.2
Adjustable middle hinge 9 mm				100 10044.0009.0.2
Adjustable middle hinge 13 mm				100 10044.0013.0.2
	SRH	Pcs		
	280 - 700	-		
	700 - 1500	1		
	1500 - 2200	2		
Adjustable bottom hinge, 9 mm, Right				100 10023.0009.R.2
Adjustable bottom hinge, 9 mm, Left				100 10023.0009.L.2
Adjustable bottom hinge, 13 mm, Right				100 10023.0013.R.2
Adjustable bottom hinge, 9 mm, Left				100 10023.0013.L.2
Corner bearing				100 10015.0000.0.2
Top hinge cover set				100 10042.0000.0.*
	SRH	Pcs		
	280 - 700	-		
	700 - 1500	1		
	1500 - 2200	2		
Adjustable bottom hinge cover set, Right				100 10045.0000.R.*
Adjustable bottom hinge cover set, Left				100 10045.0000.L.*
Adjustable middle hinge cover set				100 10374.0000.0.*
	SRH	Pcs		
	280 - 700	-		
	700 - 1500	1		
	1500 - 2200	2		
Locking plate				100 acc. to profile
	SRH / SRW	280 - 700	700 - 1450	
	420 - 700	2	4	
	700 - 1450	3	5	
	1450 - 2200	4	6	

* 1=White; 2=Silver colour; 3=Champagne; 4=Gold colour; 5=Bronze colour; 6=Brown



Turn-Only - GV Se

3



Description	ML	PU	Article Nr.
Extension piece, 90° Se (Bottom)	1	100	10067.0000.0.2
Extension piece, 180° Se (Top)	1	100	10068.0000.0.2

Gear Se	SRH	Length	G	ML	PU	Article Nr. F15	Article Nr. F7,5
	420 - 530	270	210 - 265	-	10	10001.0270.0.2	
	530 - 700	440	265 - 350	-	10	10001.0440.0.2	10106.0440.0.2
	700 - 1200	940	350 - 600	1	10	10052.0940.0.2	10107.0940.0.2
	950 - 1450	1190	475 - 725	1	10	10052.1190.0.2	10107.1190.0.2
	1200 - 1700	1440	600 - 850	2	10	10052.1440.0.2	10107.1440.0.2
	1700 - 2200	1940	850 - 1100	2	10	10052.1940.0.2	10107.1940.0.2

Middle lock Se (Top / Bottom)	SRH	Length	ML	PU	Article Nr.
	700 - 1100	550	2	10	10055.0550.0.2
	1150 - 1300	750	2	10	10055.0750.0.2
	1300 - 1650	1100	3	10	10055.1100.0.2

Stay arm hinge 9 mm				100	10014.0009.0.2
Stay arm hinge 13 mm				100	10014.0013.0.2

SRH	Pcs
280 - 700	1
700 - 1500	2
1500 - 2200	3

Stay arm bearing		100	10013.0000.0.2
------------------	--	-----	----------------

SRH	Pcs
280 - 700	1
700 - 1500	2
1500 - 2200	3

Adjustable top hinge		100	10022.0000.0.2
----------------------	--	-----	----------------

Adjustable middle hinge 9 mm		100	10044.0009.0.2
------------------------------	--	-----	----------------

Adjustable middle hinge 13 mm		100	10044.0013.0.2
-------------------------------	--	-----	----------------

SRH	Pcs
280 - 700	-
700 - 1500	1
1500 - 2200	2

Adjustable bottom hinge, 9 mm, Right		100	10023.0009.R.2
--------------------------------------	--	-----	----------------

Adjustable bottom hinge, 9 mm, Left		100	10023.0009.L.2
-------------------------------------	--	-----	----------------

Adjustable bottom hinge, 13 mm, Right		100	10023.0013.R.2
---------------------------------------	--	-----	----------------

Adjustable bottom hinge, 13 mm, Left		100	10023.0013.L.2
--------------------------------------	--	-----	----------------

Corner bearing		100	10015.0000.0.2
----------------	--	-----	----------------

Top hinge cover set		100	10042.0000.0.*
---------------------	--	-----	----------------

SRH	Pcs
280 - 700	-
700 - 1500	1
1500 - 2200	2

Adjustable Bottom hinge cover set, Right		100	10045.0000.R.*
--	--	-----	----------------

Adjustable Bottom hinge cover set, Left		100	10045.0000.L.*
---	--	-----	----------------

Adjustable middle hinge cover set		100	10374.0000.0.*
-----------------------------------	--	-----	----------------

SRH	Pcs
280 - 700	-
700 - 1500	1
1500 - 2200	2

Locking plate Se	SRH / SRW	280 - 700	700 - 1300	1300 - 1650
	420 - 700	2	6	8
	700 - 1450	3	7	9
	1450 - 2200	4	8	10

* 1=White ; 2=Silver colour ; 3=Champagne ; 4=Gold colour ; 5=Bronze colour ; 6=Brown



Turn-Only - GV Se

Locking plate Se

Corner transmission

Locking plate Se

GV Gear F15

GV Gear F7,5

Locking plate Se

Corner transmission

Locking plate Se

Extension lock Se (Top)

Extension lock Se (Bottom)

Locking plate Se

Adjustable top hinge

Stay arm hinge

Stay arm bearing

Top hinge cover set

Stay arm bearing

Adjustable middle hinge

Adjustable middle hinge cover set

Adjustable bottom hinge

Adjustable Bottom hinge cover set

Corner bearing

Description	ML	PU	Article Nr.
Corner Transmission 2 ml (Top / Bottom)	1	100	10005.0000.0.2
Gear	SRH	Length	G
			ML
			PU
			Article Nr. F15
			Article Nr. F7,5
420 - 530	270	210 - 265	-
530 - 700	440	265 - 350	-
700 - 1200	940	350 - 600	1
950 - 1450	1190	475 - 725	1
1200 - 1700	1440	600 - 850	2
1700 - 2200	1940	850 - 1100	2
Extension lock Se (Top/ Bottom)	SRH	Length	ML
			PU
			Article Nr.
700 - 1450	710		1
Stay arm hinge 9 mm			100
Stay arm hinge 13 mm			100
	SRH	Pcs	
280 - 700		1	
700 - 1500		2	
1500 - 2200		3	
Stay arm bearing (Oben / Mitte)			100
			10013.0000.0.2
	SRH	Pcs	
280 - 700		1	
700 - 1500		2	
1500 - 2200		3	
Adjustable top hinge			100
			10022.0000.0.2
Adjustable middle hinge 9 mm			100
			10044.0009.0.2
Adjustable middle hinge 13 mm			100
			10044.0013.0.2
	SRH	Pcs	
280 - 700		-	
700 - 1500		1	
1500 - 2200		2	
Adjustable bottom hinge, 9 mm, Right			100
			10023.0009.R.2
Adjustable bottom hinge, 9 mm, Left			100
			10023.0009.L.2
Adjustable bottom hinge, 13 mm, Right			100
			10023.0013.R.2
Adjustable bottom hinge, 13mm, Left			100
			10023.0013.L.2
Corner bearing			100
			10015.0000.0.2
Top hinge cover set			100
			10042.0000.0.*
	SRH	Pcs	
280 - 700		1	
700 - 1500		2	
1500 - 2200		3	
Adjustable Bottom hinge cover set, Right			100
			10045.0000.R.*
Adjustable Bottom hinge cover set, Left			100
			10045.0000.L.*
Adjustable middle hinge cover set			100
			10374.0000.0.*
	SRH	Pcs	
280 - 700		-	
700 - 1500		1	
1500 - 2200		2	
Adjustable middle hinge cover set			100
			10374.0000.0.*
	SRH	Pcs	
280 - 700		-	
700 - 1500		1	
1500 - 2200		2	
Locking plate Se			100
			acc. to profile
	SRH / SRW	280 - 700	700 - 1450
420 - 700		4	6
700 - 1450		5	7
1450 - 2200		6	8

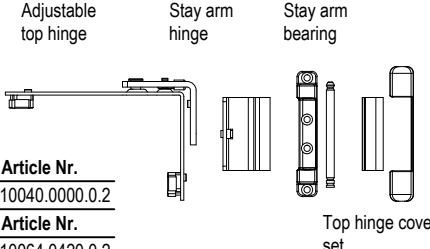
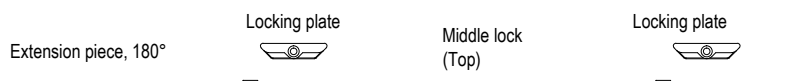
3

* 1=White ; 2=Silver colour ; 3=Champagne ; 4=Gold colour ; 5=Bronze colour ; 6=Brown



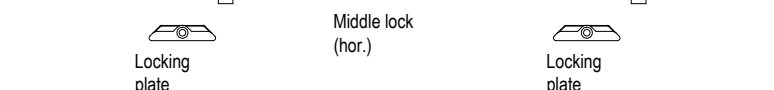
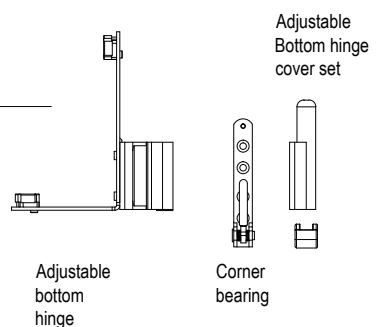
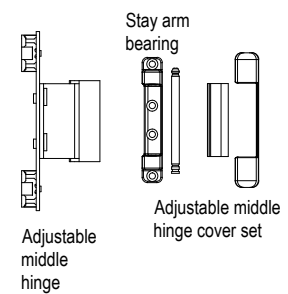
Turn-Only - GC

3



Description	ML	PU	Article Nr.		
Extension piece 180°(Top/Bottom)	1	100	10040.0000.0.2		
Gear	SRH	Length	G		
			ML		
			PU		
			Article Nr.		
420 - 550	420	155	1	10	10064.0420.0.2
520 - 720	590	200	1	10	10064.0590.0.2
720 - 850	720	250	2	10	10064.0720.0.2
850 - 1100	970	400	2	10	10064.0970.0.2
1100 - 1350	1220	500	2	10	10064.1220.0.2
1350 - 1600	1470	600	3	10	10064.1470.0.2
1600 - 1850	1720	600	3	10	10064.1720.0.2
1850 - 2100	1970	980	3	10	10064.1970.0.2
2100 - 2350	2220	980	4	10	10064.2220.0.2
Middle lock (Top/Bottom)	SRH	Length	ML	PU	Article Nr.
700 - 1100	550	2	10	10009.0550.0.2	
1150 - 1300	750	2	10	10009.0750.0.2	
1300 - 1650	1100	3	10	10009.1100.0.2	
Stay arm hinge 9 mm				100	10014.0009.0.2
Stay arm hinge 13 mm				100	10014.0013.0.2
	SRH	Pcs			
280 - 700		1			
700 - 1500		2			
1500 - 2200		3			
Stay arm bearing				100	10013.0000.0.2
	SRH	Pcs			
280 - 700		1			
700 - 1500		2			
1500 - 2200		3			
Adjustable top hinge				100	10022.0000.0.2
Adjustable middle hinge 9 mm				100	10044.0009.0.2
Adjustable middle hinge 13 mm				100	10044.0013.0.2
	SRH	Pcs			
280 - 700		-			
700 - 1500		1			
1500 - 2200		2			
Adjustable bottom hinge, 9 mm, Right				100	10023.0009.R.2
Adjustable bottom hinge, 9 mm, Left				100	10023.0009.L.2
Adjustable bottom hinge, 13 mm, Right				100	10023.0013.R.2
Adjustable bottom hinge, 13 mm, Left				100	10023.0013.L.2
Corner bearing				100	10015.0000.0.2
Top hinge cover set				100	10042.0000.0.*
	SRH	Pcs			
280 - 700		-			
700 - 1500		1			
1500 - 2200		2			
Adjustable Bottom hinge cover set, Right				100	10045.0000.R.*
Adjustable Bottom hinge cover set, Left				100	10045.0000.L.*
Tilt locking plate				100	acc. to profile
Locking plate				100	acc. to profile
	SRH / SRW	280 - 700	700 - 1300	1300 - 1650	
420 - 720	2	6	8		
720 - 1350	3	7	9		
1350 - 2100	4	8	10		
2100 - 2350	5	9	11		

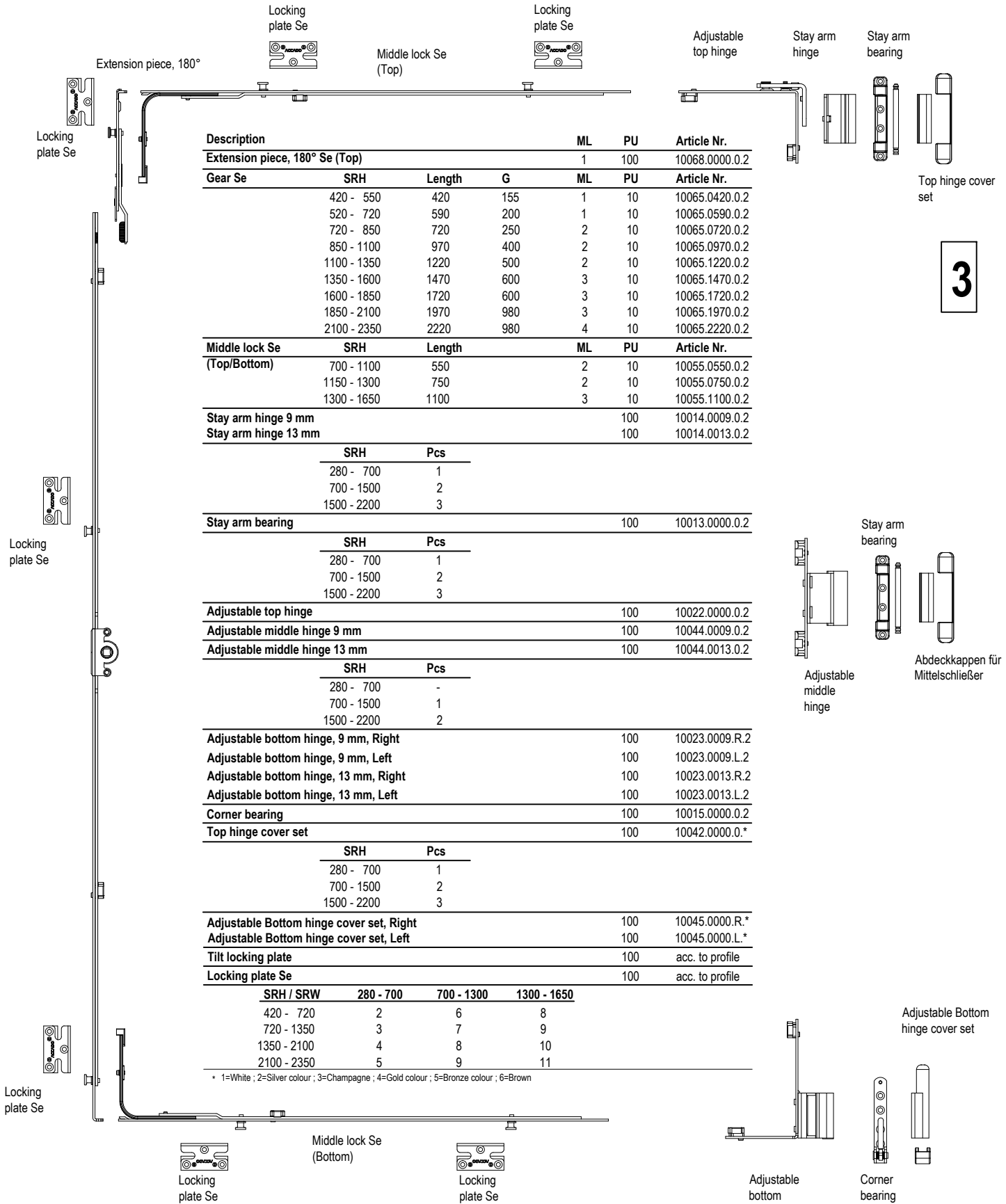
* 1=White ; 2=Silver colour ; 3=Champagne ; 4=Gold colour ; 5=Bronze colour ; 6=Brown



Locking plate



Turn-Only - GC Se



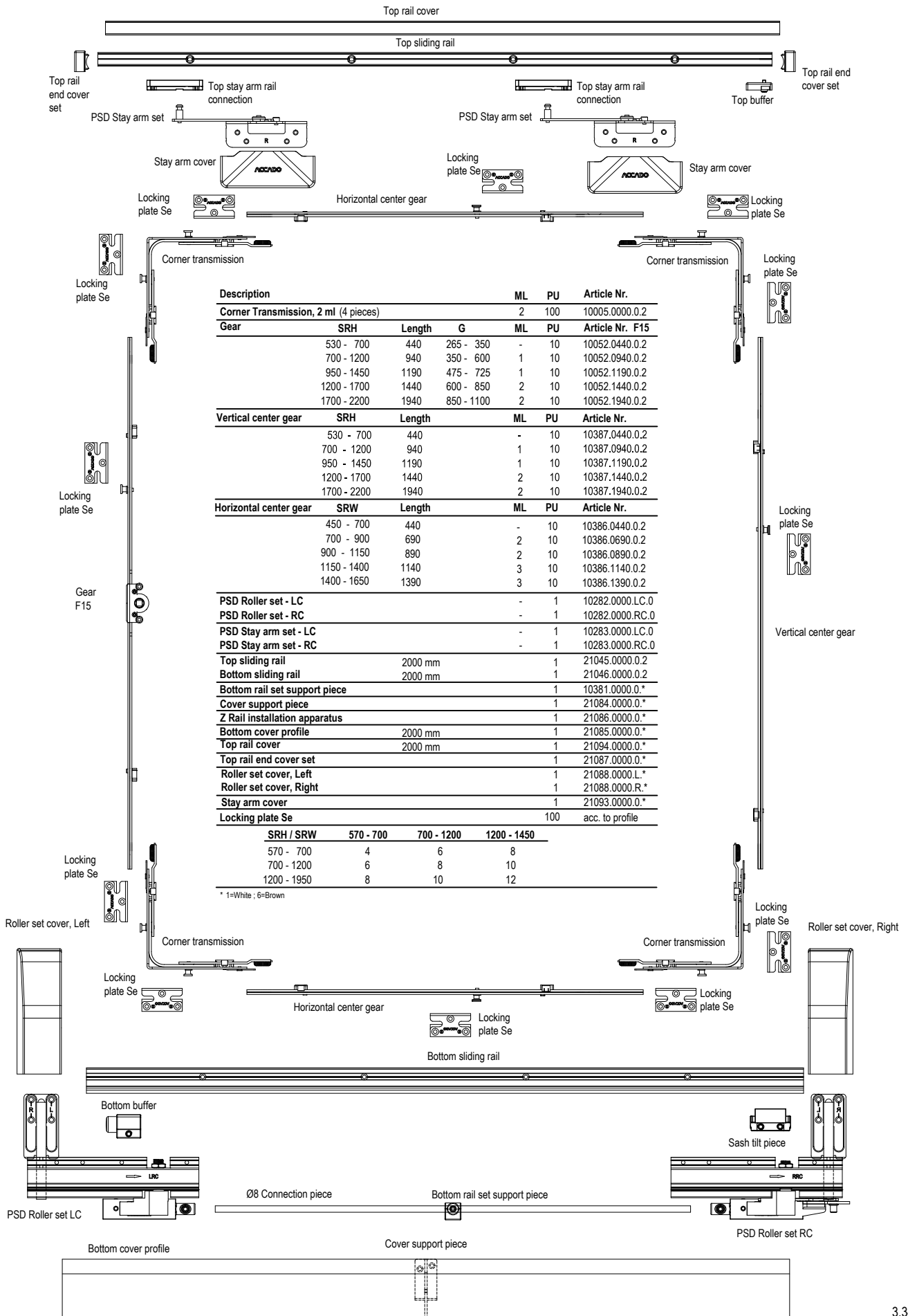
Description	ML	PU	Article Nr.		
Extension piece, 180° Se (Top)	1	100	10068.0000.0.2		
Gear Se	SRH	Length	G		
			ML		
			PU		
			Article Nr.		
420 - 550	420	155	1	10	10065.0420.0.2
520 - 720	590	200	1	10	10065.0590.0.2
720 - 850	720	250	2	10	10065.0720.0.2
850 - 1100	970	400	2	10	10065.0970.0.2
1100 - 1350	1220	500	2	10	10065.1220.0.2
1350 - 1600	1470	600	3	10	10065.1470.0.2
1600 - 1850	1720	600	3	10	10065.1720.0.2
1850 - 2100	1970	980	3	10	10065.1970.0.2
2100 - 2350	2220	980	4	10	10065.2220.0.2
Middle lock Se (Top/Bottom)	SRH	Length	ML	PU	Article Nr.
700 - 1100	550		2	10	10055.0550.0.2
1150 - 1300	750		2	10	10055.0750.0.2
1300 - 1650	1100		3	10	10055.1100.0.2
Stay arm hinge 9 mm				100	10014.0009.0.2
Stay arm hinge 13 mm				100	10014.0013.0.2
	SRH	Pcs			
280 - 700		1			
700 - 1500		2			
1500 - 2200		3			
Stay arm bearing				100	10013.0000.0.2
	SRH	Pcs			
280 - 700		1			
700 - 1500		2			
1500 - 2200		3			
Adjustable top hinge				100	10022.0000.0.2
Adjustable middle hinge 9 mm				100	10044.0009.0.2
Adjustable middle hinge 13 mm				100	10044.0013.0.2
	SRH	Pcs			
280 - 700		-			
700 - 1500		1			
1500 - 2200		2			
Adjustable bottom hinge, 9 mm, Right				100	10023.0009.R.2
Adjustable bottom hinge, 9 mm, Left				100	10023.0009.L.2
Adjustable bottom hinge, 13 mm, Right				100	10023.0013.R.2
Adjustable bottom hinge, 13 mm, Left				100	10023.0013.L.2
Corner bearing				100	10015.0000.0.2
Top hinge cover set				100	10042.0000.0.*
	SRH	Pcs			
280 - 700		1			
700 - 1500		2			
1500 - 2200		3			
Adjustable Bottom hinge cover set, Right				100	10045.0000.R.*
Adjustable Bottom hinge cover set, Left				100	10045.0000.L.*
Tilt locking plate				100	acc. to profile
Locking plate Se				100	acc. to profile
	SRH / SRW	280 - 700	700 - 1300	1300 - 1650	
420 - 720		2	6	8	
720 - 1350		3	7	9	
1350 - 2100		4	8	10	
2100 - 2350		5	9	11	

* 1=White ; 2=Silver colour ; 3=Champagne ; 4=Gold colour ; 5=Bronze colour ; 6=Brown

3

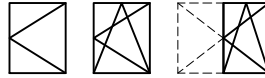


PSD (Parallel Sliding Door)

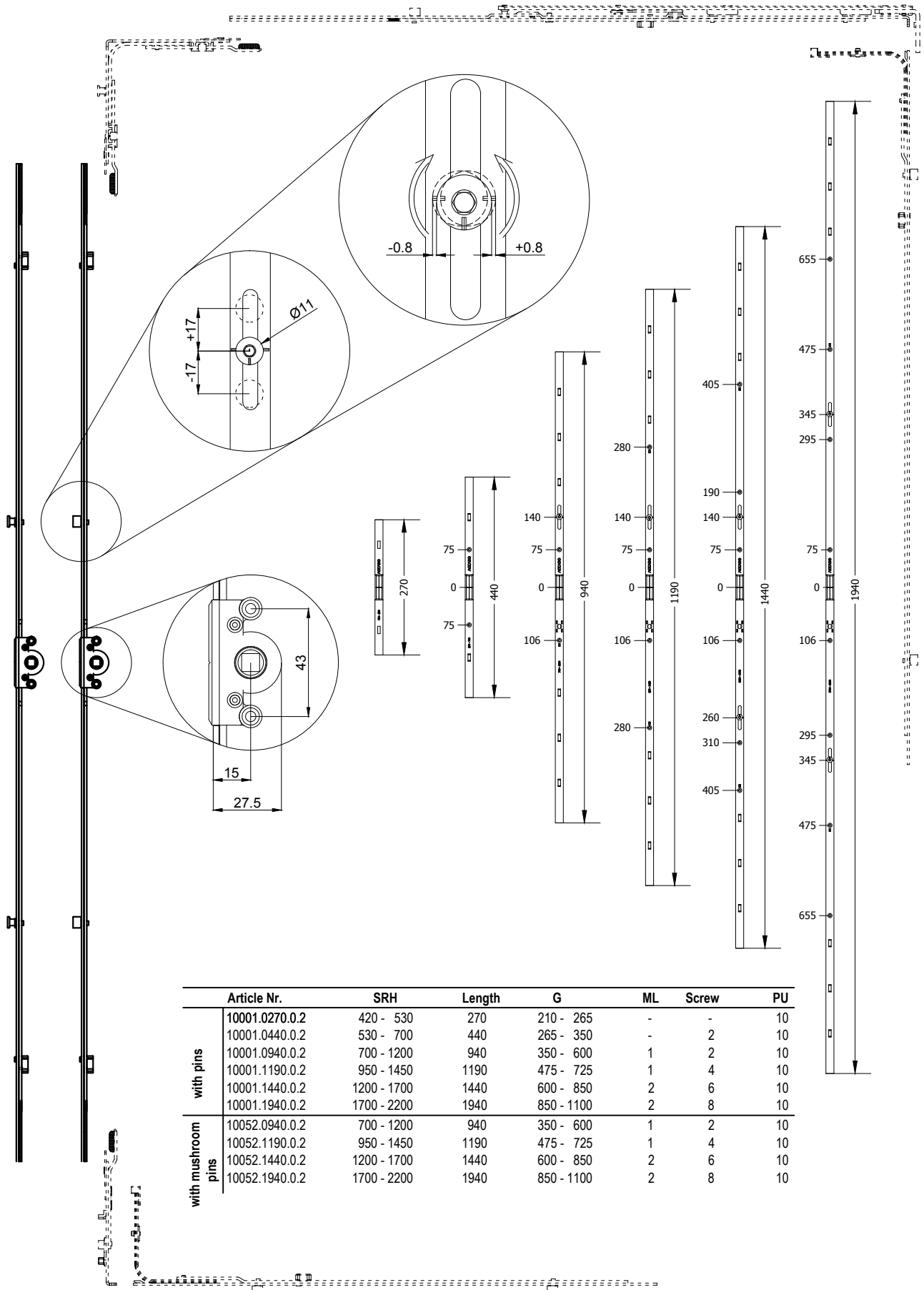


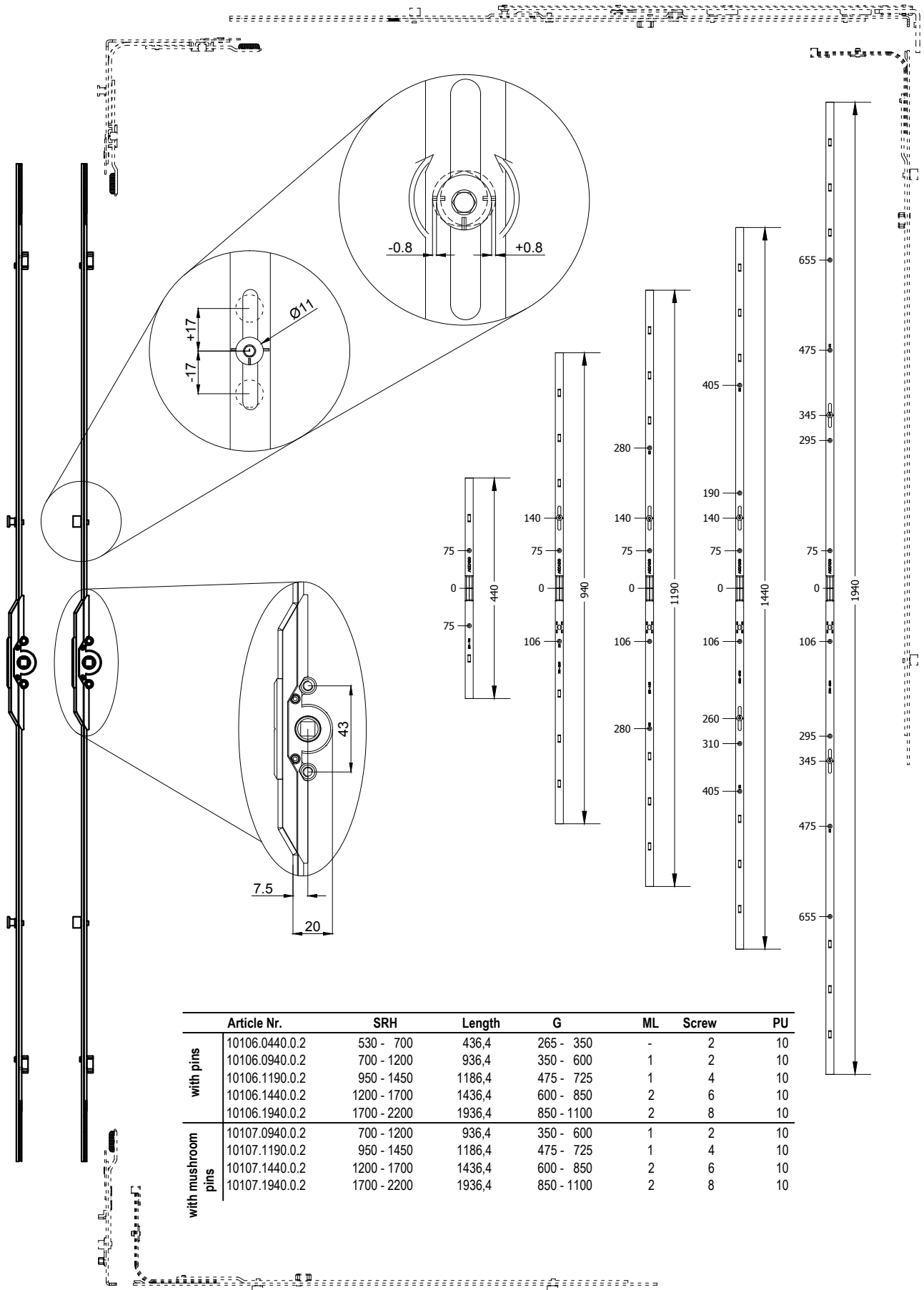
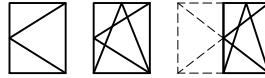
Description	ML	PU	Article Nr.				
Corner Transmission, 2 ml (4 pieces)	2	100	10005.0000.0.2				
Gear	SRH	Length	G				
			ML				
			PU				
			Article Nr. F15				
530 - 700	440	265 - 350	-	10	10052.0440.0.2		
700 - 1200	940	350 - 600	1	10	10052.0940.0.2		
950 - 1450	1190	475 - 725	1	10	10052.1190.0.2		
1200 - 1700	1440	600 - 850	2	10	10052.1440.0.2		
1700 - 2200	1940	850 - 1100	2	10	10052.1940.0.2		
Vertical center gear	SRH	Length	ML				
			PU				
			Article Nr.				
530 - 700	440		-	10	10387.0440.0.2		
700 - 1200	940		1	10	10387.0940.0.2		
950 - 1450	1190		1	10	10387.1190.0.2		
1200 - 1700	1440		2	10	10387.1440.0.2		
1700 - 2200	1940		2	10	10387.1940.0.2		
Horizontal center gear	SRW	Length	ML				
			PU				
			Article Nr.				
450 - 700	440		-	10	10386.0440.0.2		
700 - 900	690		2	10	10386.0690.0.2		
900 - 1150	890		2	10	10386.0890.0.2		
1150 - 1400	1140		3	10	10386.1140.0.2		
1400 - 1650	1390		3	10	10386.1390.0.2		
PSD Roller set - LC				-	1	10282.0000.LC.0	
PSD Roller set - RC					-	1	10282.0000.RC.0
PSD Stay arm set - LC					-	1	10283.0000.LC.0
PSD Stay arm set - RC					-	1	10283.0000.RC.0
Top sliding rail		2000 mm			1	21045.0000.0.2	
Bottom sliding rail		2000 mm			1	21046.0000.0.2	
Bottom rail set support piece					1	10381.0000.0.*	
Cover support piece					1	21084.0000.0.*	
Z Rail installation apparatus					1	21086.0000.0.*	
Bottom cover profile		2000 mm			1	21085.0000.0.*	
Top rail cover		2000 mm			1	21094.0000.0.*	
Top rail end cover set					1	21087.0000.0.*	
Roller set cover, Left					1	21088.0000.L.*	
Roller set cover, Right					1	21088.0000.R.*	
Stay arm cover					1	21093.0000.0.*	
Locking plate Se					100	acc. to profile	
SRH / SRW	570 - 700	700 - 1200	1200 - 1450				
	4	6	8				
	6	8	10				
	8	10	12				

* 1=White ; 6=Brown



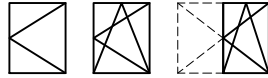
4



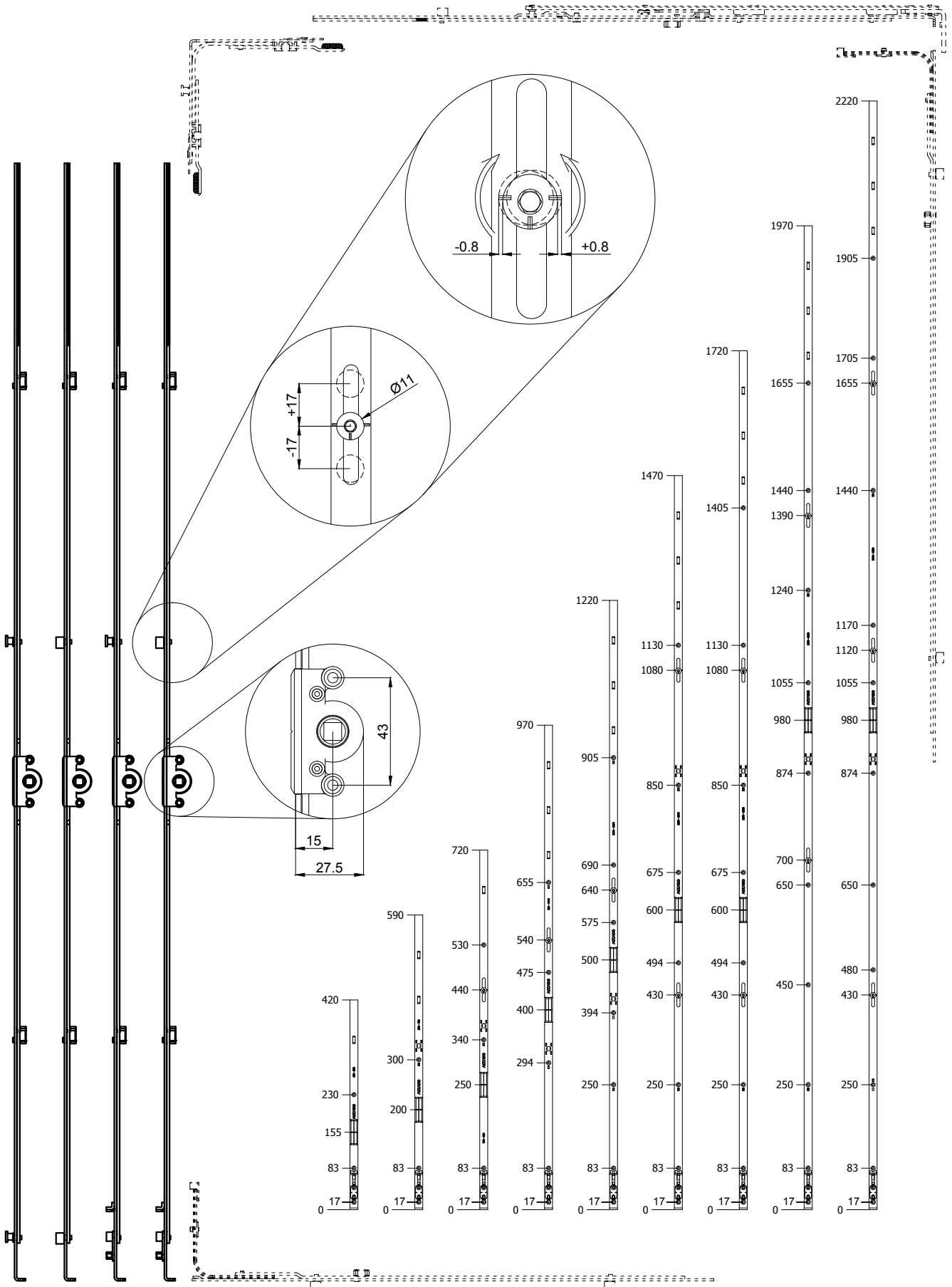


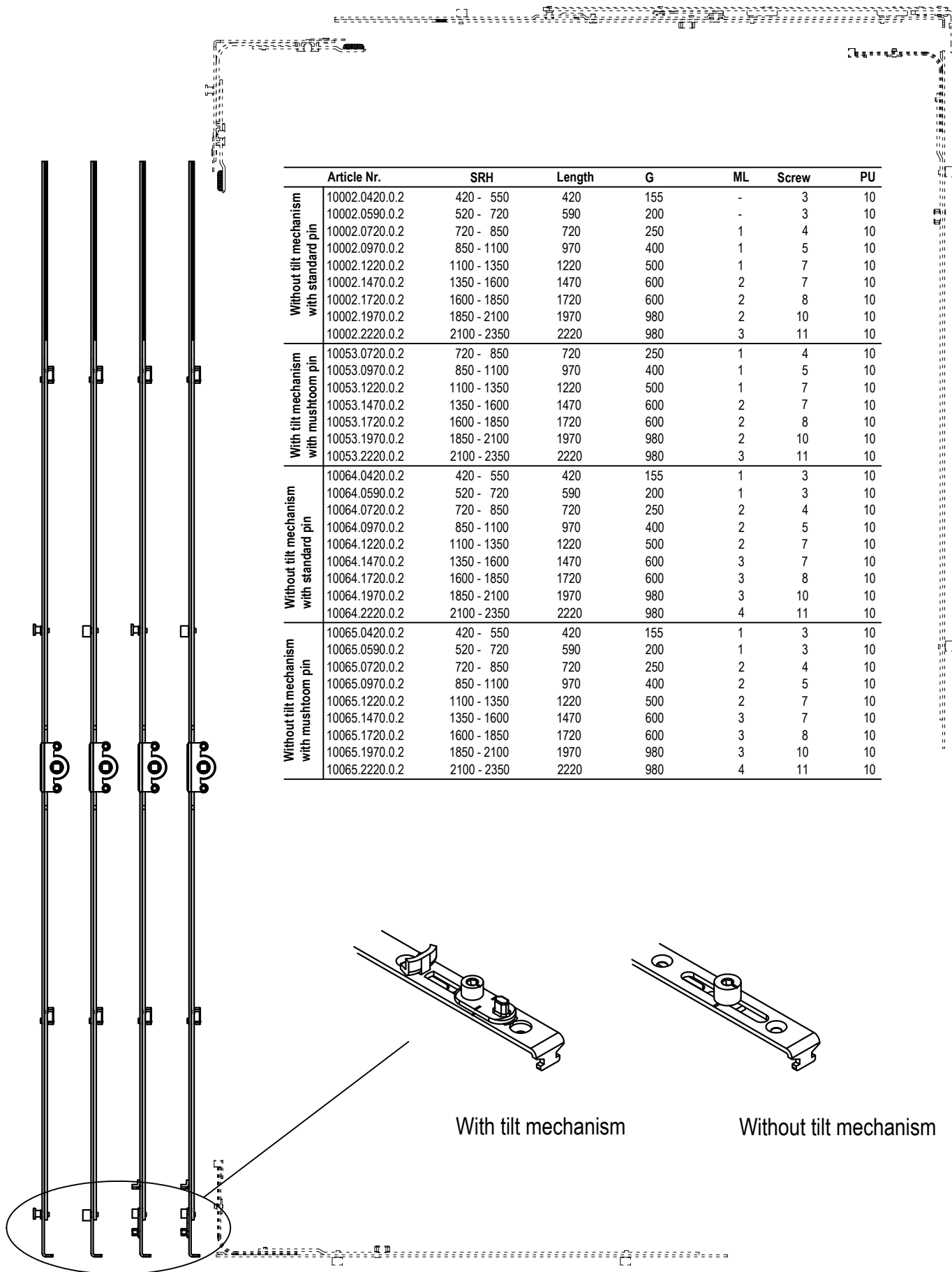
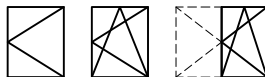
4

	Article Nr.	SRH	Length	G	ML	Screw	PU
with pins	10106.0440.0.2	530 - 700	436,4	265 - 350	-	2	10
	10106.0940.0.2	700 - 1200	936,4	350 - 600	1	2	10
	10106.1190.0.2	950 - 1450	1186,4	475 - 725	1	4	10
	10106.1440.0.2	1200 - 1700	1436,4	600 - 850	2	6	10
	10106.1940.0.2	1700 - 2200	1936,4	850 - 1100	2	8	10
with mushroom pins	10107.0940.0.2	700 - 1200	936,4	350 - 600	1	2	10
	10107.1190.0.2	950 - 1450	1186,4	475 - 725	1	4	10
	10107.1440.0.2	1200 - 1700	1436,4	600 - 850	2	6	10
	10107.1940.0.2	1700 - 2200	1936,4	850 - 1100	2	8	10



4

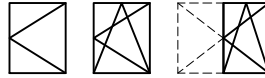




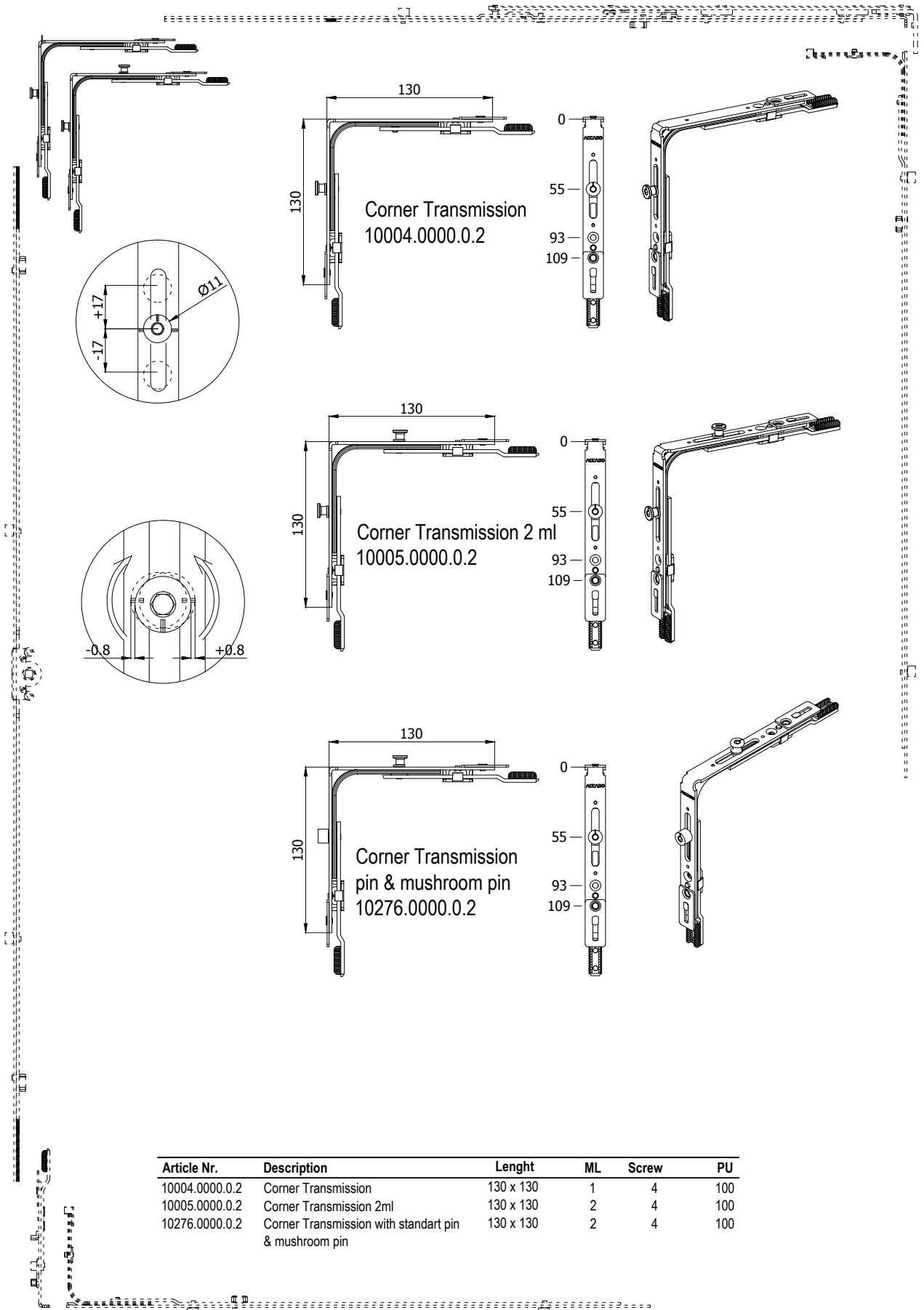
	Article Nr.	SRH	Length	G	ML	Screw	PU	
Without tilt mechanism with standard pin	10002.0420.0.2	420 - 550	420	155	-	3	10	
	10002.0590.0.2	520 - 720	590	200	-	3	10	
	10002.0720.0.2	720 - 850	720	250	1	4	10	
	10002.0970.0.2	850 - 1100	970	400	1	5	10	
	10002.1220.0.2	1100 - 1350	1220	500	1	7	10	
	10002.1470.0.2	1350 - 1600	1470	600	2	7	10	
	10002.1720.0.2	1600 - 1850	1720	600	2	8	10	
	10002.1970.0.2	1850 - 2100	1970	980	2	10	10	
	10002.2220.0.2	2100 - 2350	2220	980	3	11	10	
	With tilt mechanism with mushtoom pin	10053.0720.0.2	720 - 850	720	250	1	4	10
10053.0970.0.2		850 - 1100	970	400	1	5	10	
10053.1220.0.2		1100 - 1350	1220	500	1	7	10	
10053.1470.0.2		1350 - 1600	1470	600	2	7	10	
10053.1720.0.2		1600 - 1850	1720	600	2	8	10	
10053.1970.0.2		1850 - 2100	1970	980	2	10	10	
10053.2220.0.2		2100 - 2350	2220	980	3	11	10	
Without tilt mechanism with standard pin		10064.0420.0.2	420 - 550	420	155	1	3	10
		10064.0590.0.2	520 - 720	590	200	1	3	10
		10064.0720.0.2	720 - 850	720	250	2	4	10
	10064.0970.0.2	850 - 1100	970	400	2	5	10	
	10064.1220.0.2	1100 - 1350	1220	500	2	7	10	
	10064.1470.0.2	1350 - 1600	1470	600	3	7	10	
	10064.1720.0.2	1600 - 1850	1720	600	3	8	10	
	10064.1970.0.2	1850 - 2100	1970	980	3	10	10	
	10064.2220.0.2	2100 - 2350	2220	980	4	11	10	
	Without tilt mechanism with mushtoom pin	10065.0420.0.2	420 - 550	420	155	1	3	10
10065.0590.0.2		520 - 720	590	200	1	3	10	
10065.0720.0.2		720 - 850	720	250	2	4	10	
10065.0970.0.2		850 - 1100	970	400	2	5	10	
10065.1220.0.2		1100 - 1350	1220	500	2	7	10	
10065.1470.0.2		1350 - 1600	1470	600	3	7	10	
10065.1720.0.2		1600 - 1850	1720	600	3	8	10	
10065.1970.0.2		1850 - 2100	1970	980	3	10	10	
10065.2220.0.2		2100 - 2350	2220	980	4	11	10	

4

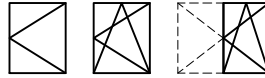
Corner Transmission



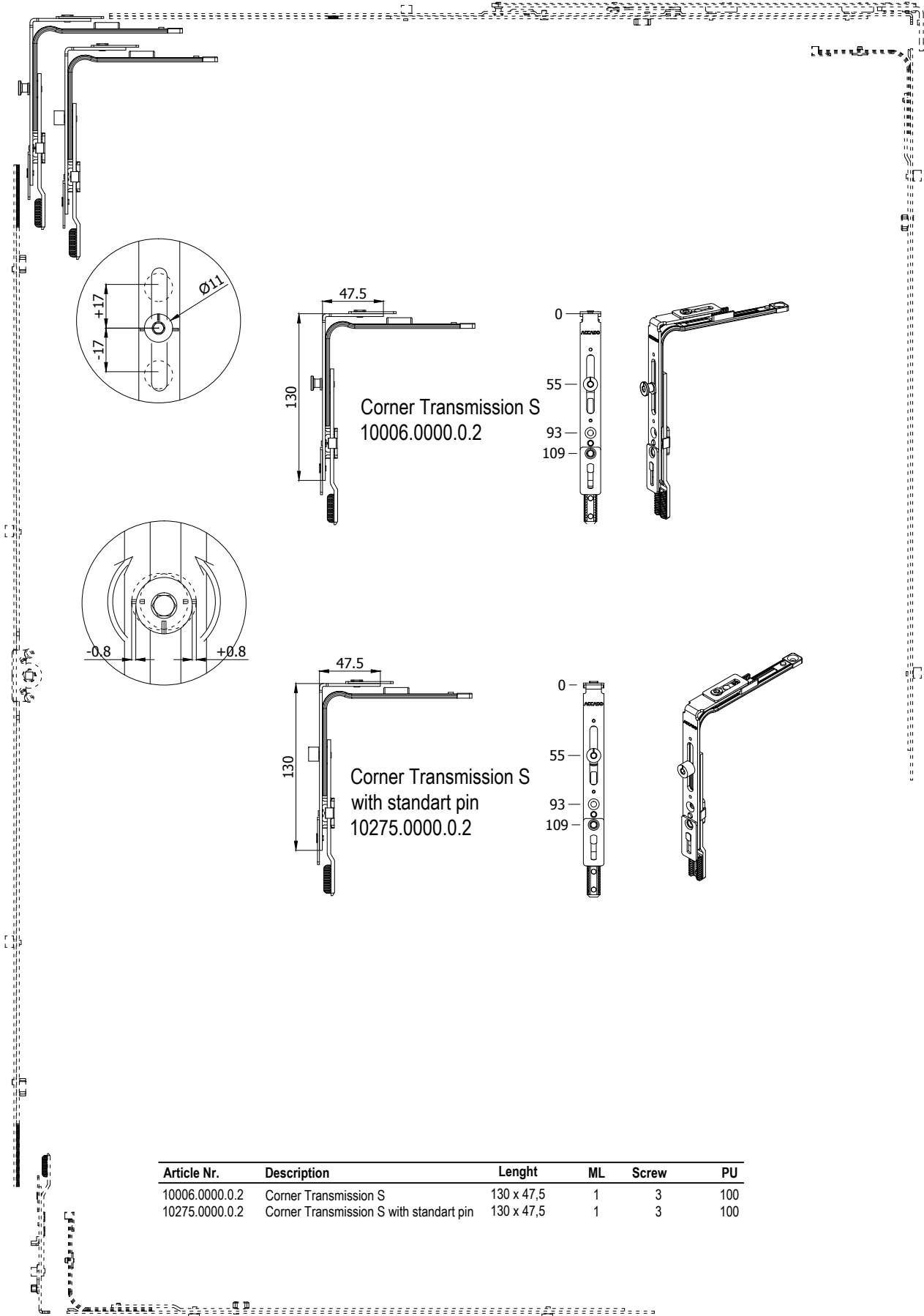
4



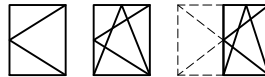
Article Nr.	Description	Lenght	ML	Screw	PU
10004.0000.0.2	Corner Transmission	130 x 130	1	4	100
10005.0000.0.2	Corner Transmission 2ml	130 x 130	2	4	100
10276.0000.0.2	Corner Transmission with standart pin & mushroom pin	130 x 130	2	4	100



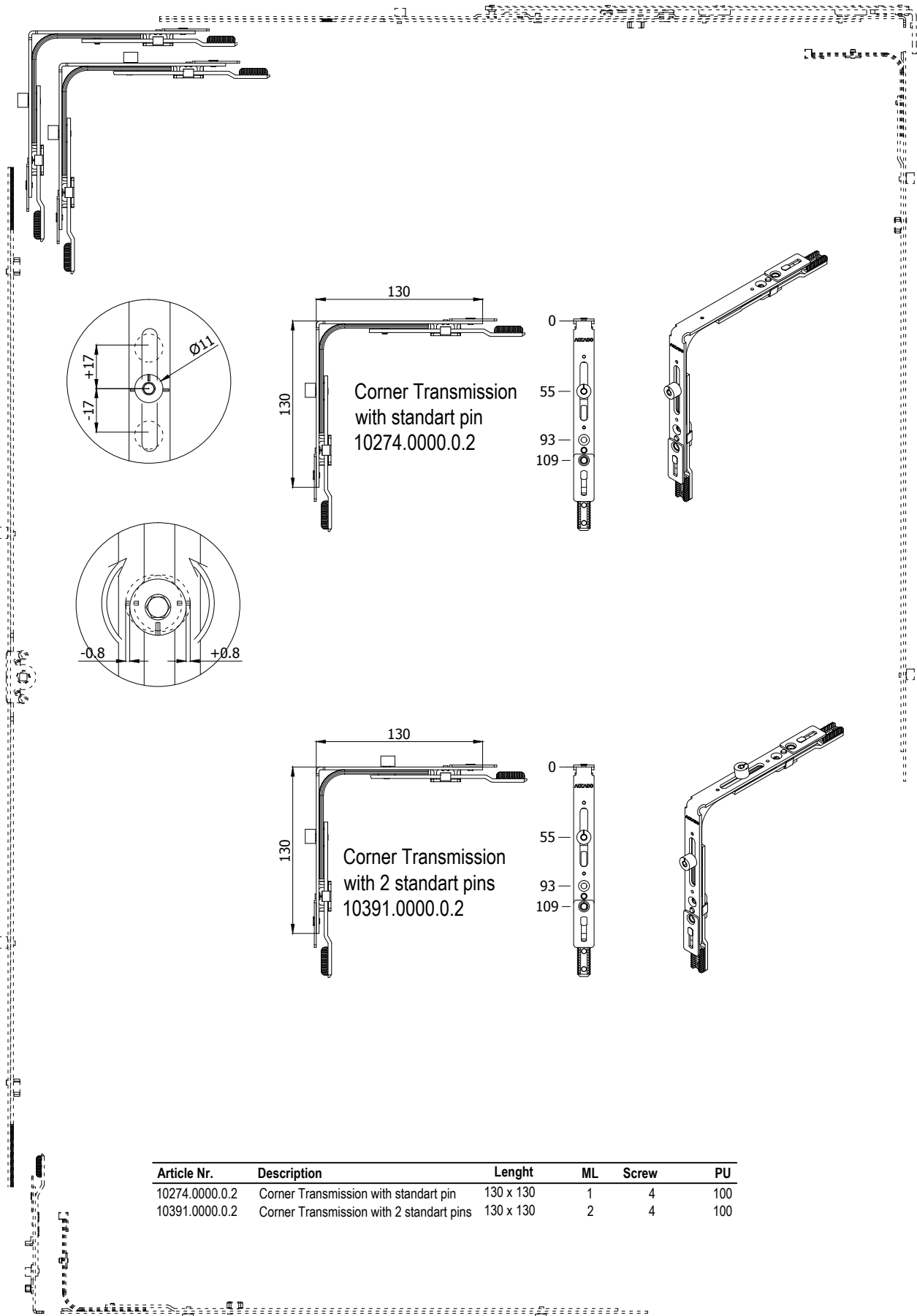
4



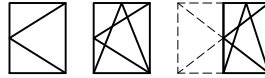
Article Nr.	Description	Lenght	ML	Screw	PU
10006.0000.0.2	Corner Transmission S	130 x 47,5	1	3	100
10275.0000.0.2	Corner Transmission S with standart pin	130 x 47,5	1	3	100



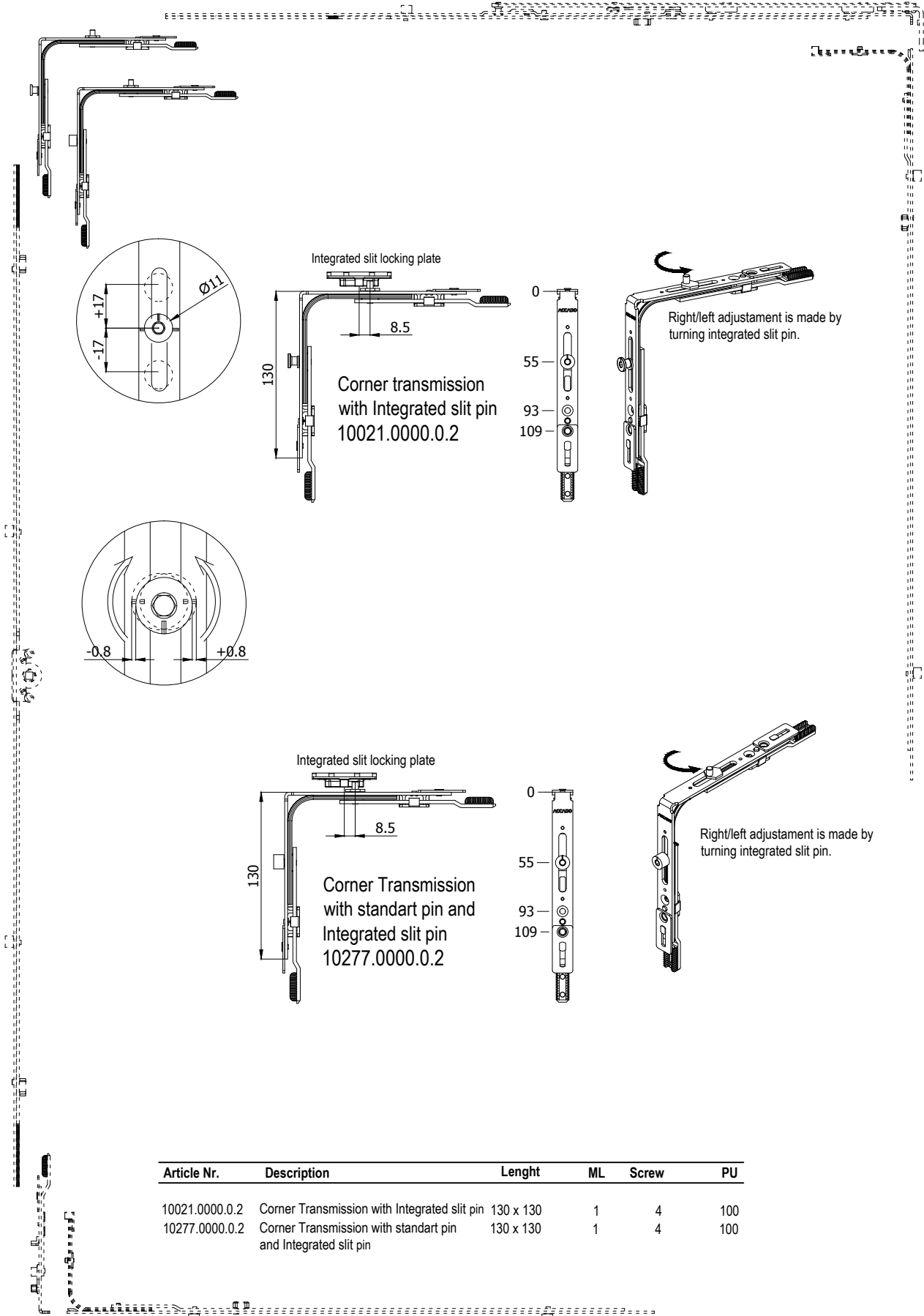
4



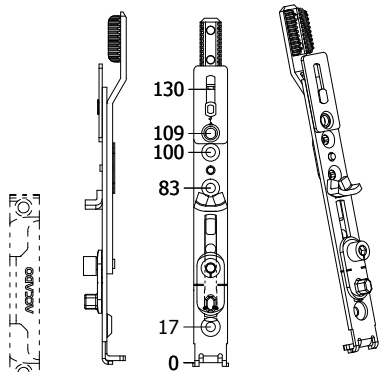
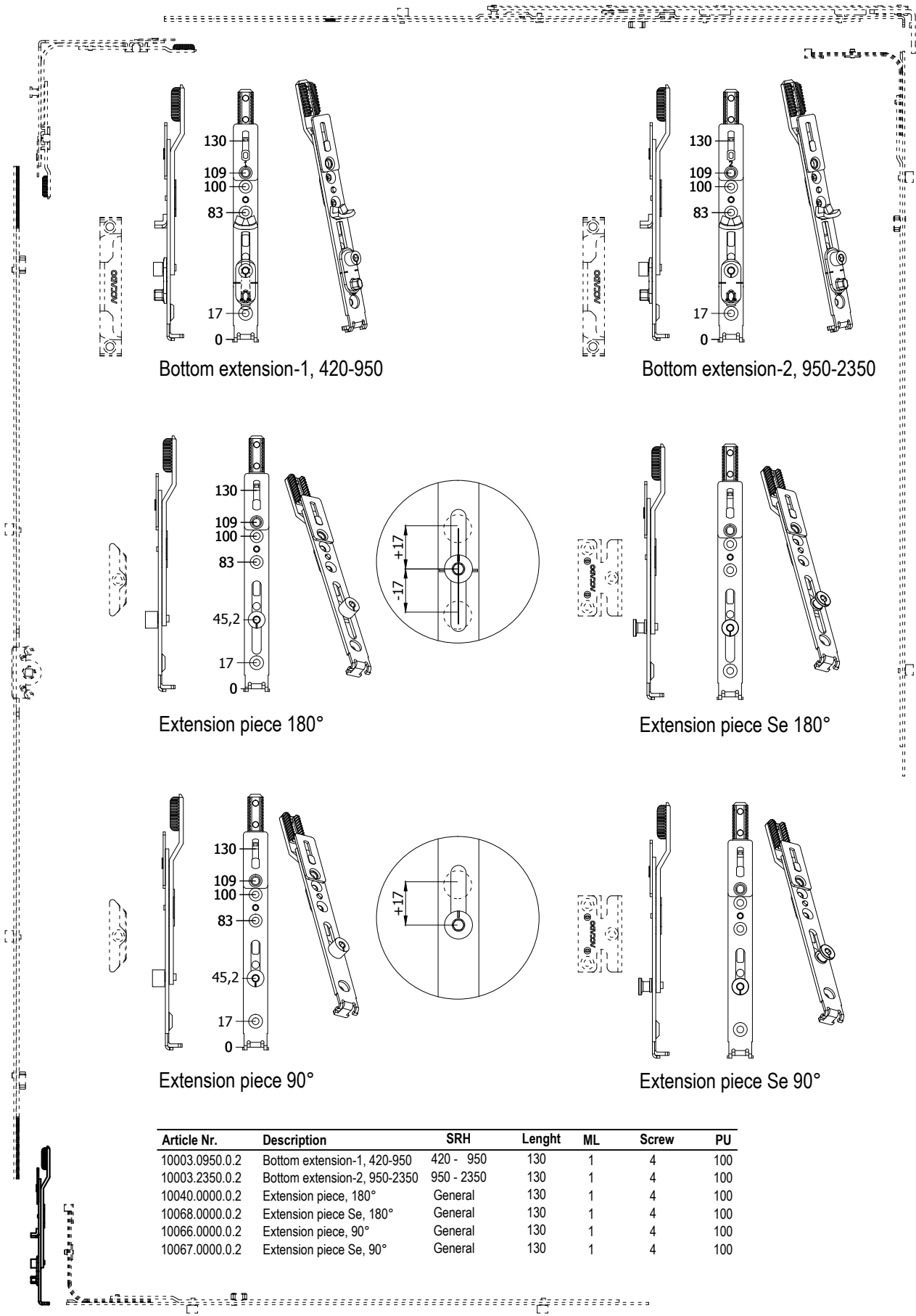
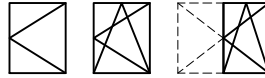
Article Nr.	Description	Lenght	ML	Screw	PU
10274.0000.0.2	Corner Transmission with standart pin	130 x 130	1	4	100
10391.0000.0.2	Corner Transmission with 2 standart pins	130 x 130	2	4	100



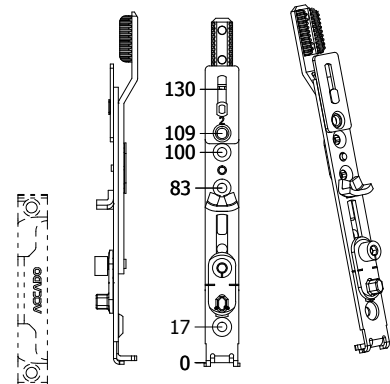
4



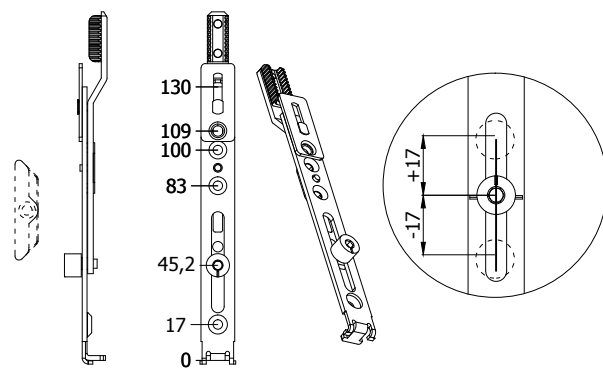
Article Nr.	Description	Lenght	ML	Screw	PU
10021.0000.0.2	Corner Transmission with Integrated slit pin	130 x 130	1	4	100
10277.0000.0.2	Corner Transmission with standart pin and Integrated slit pin	130 x 130	1	4	100



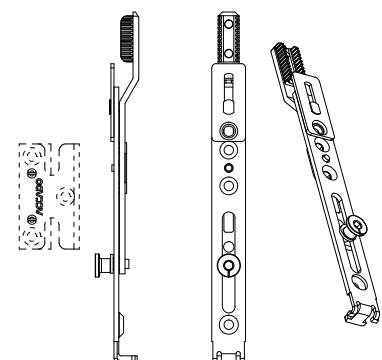
Bottom extension-1, 420-950



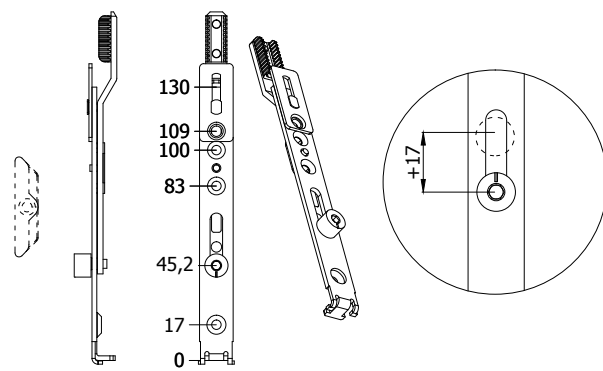
Bottom extension-2, 950-2350



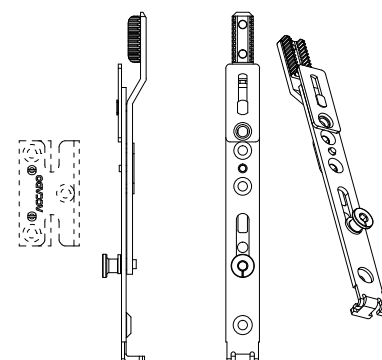
Extension piece 180°



Extension piece Se 180°



Extension piece 90°

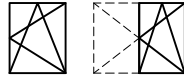


Extension piece Se 90°

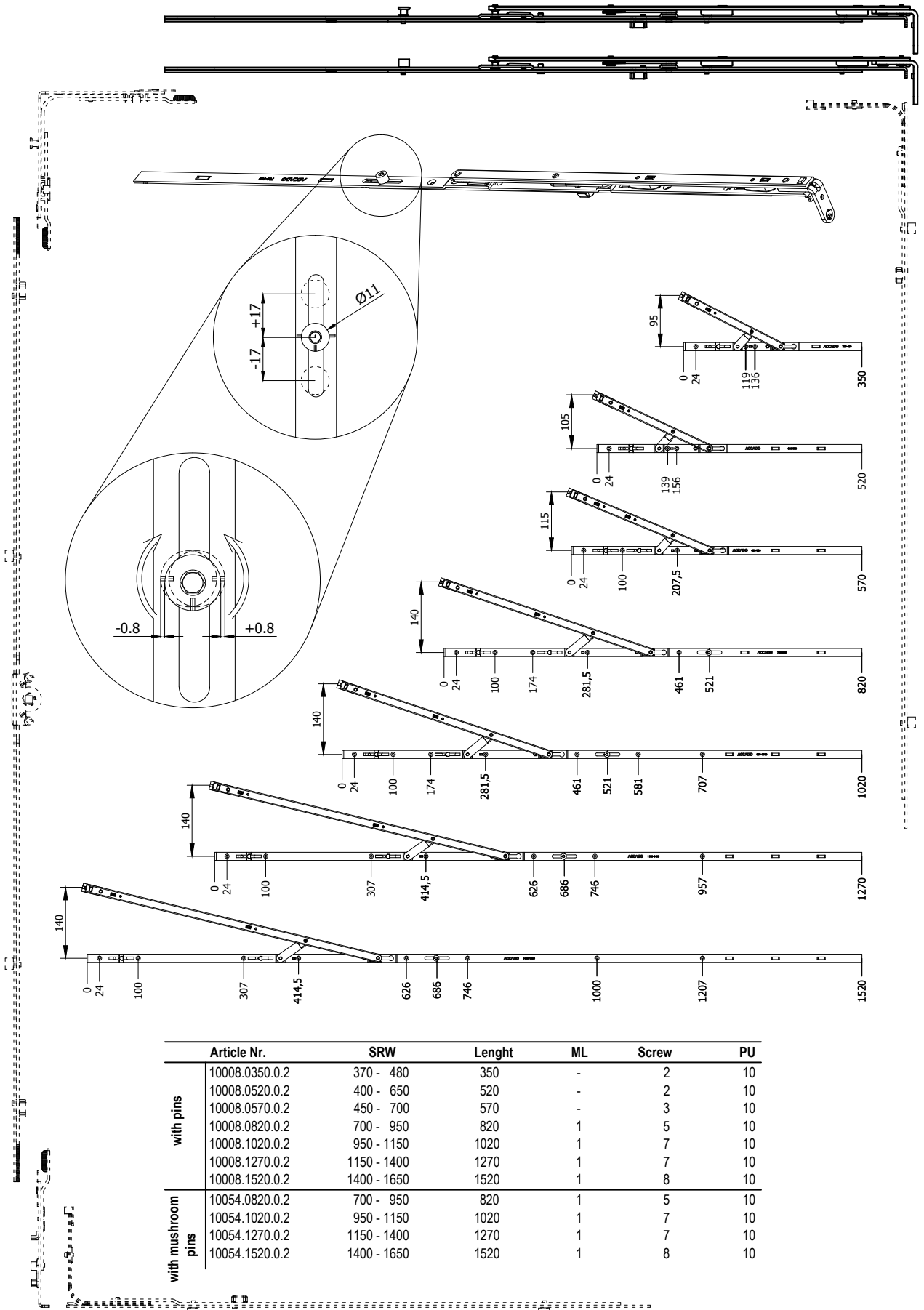
Article Nr.	Description	SRH	Lenght	ML	Screw	PU
10003.0950.0.2	Bottom extension-1, 420-950	420 - 950	130	1	4	100
10003.2350.0.2	Bottom extension-2, 950-2350	950 - 2350	130	1	4	100
10040.0000.0.2	Extension piece, 180°	General	130	1	4	100
10068.0000.0.2	Extension piece Se, 180°	General	130	1	4	100
10066.0000.0.2	Extension piece, 90°	General	130	1	4	100
10067.0000.0.2	Extension piece Se, 90°	General	130	1	4	100

4

Stay Arm

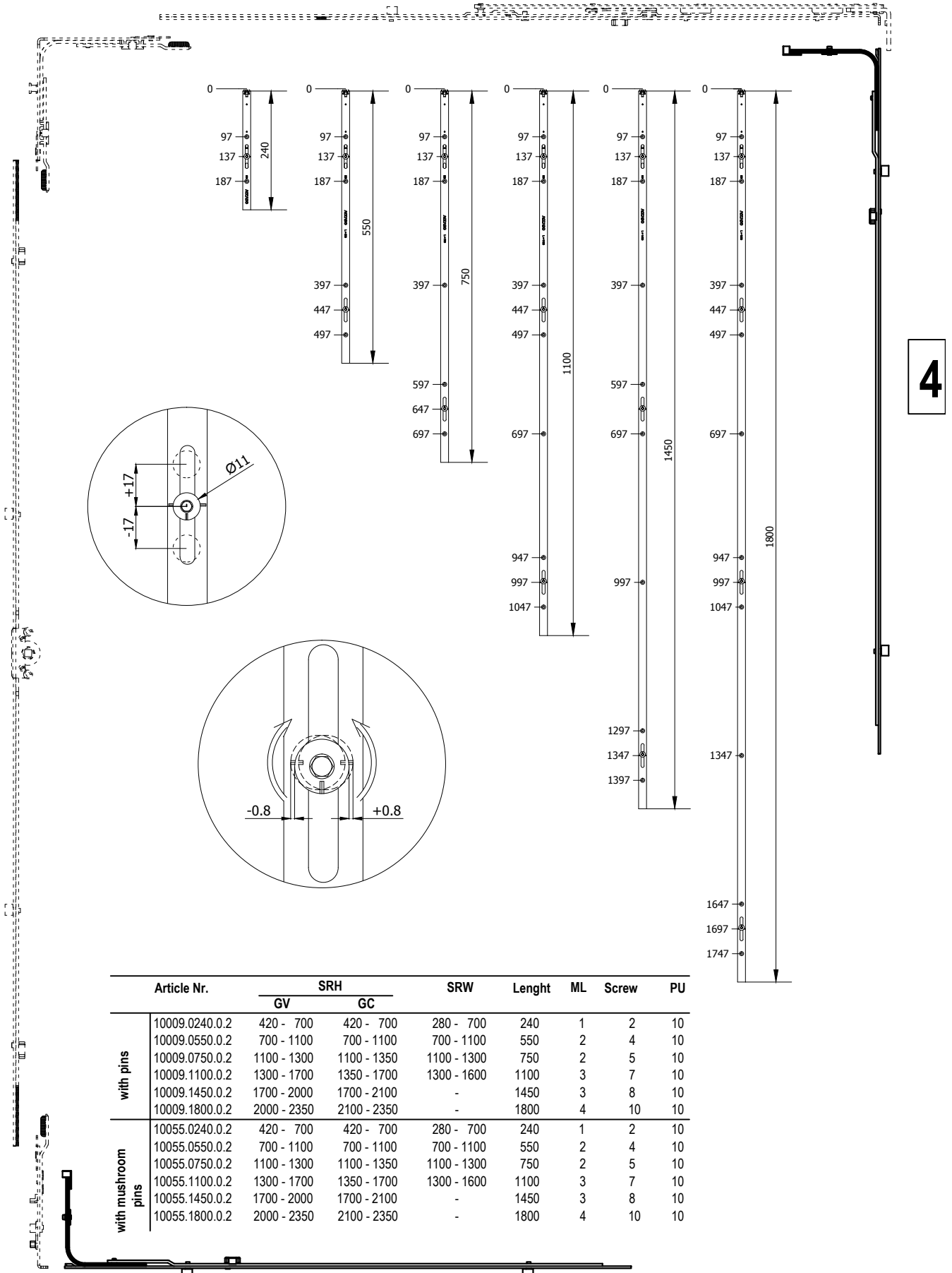
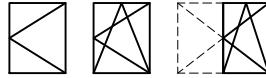


4



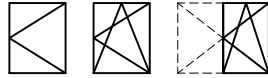
	Article Nr.	SRW	Lenght	ML	Screw	PU
with pins	10008.0350.0.2	370 - 480	350	-	2	10
	10008.0520.0.2	400 - 650	520	-	2	10
	10008.0570.0.2	450 - 700	570	-	3	10
	10008.0820.0.2	700 - 950	820	1	5	10
	10008.1020.0.2	950 - 1150	1020	1	7	10
	10008.1270.0.2	1150 - 1400	1270	1	7	10
	10008.1520.0.2	1400 - 1650	1520	1	8	10
with mushroom pins	10054.0820.0.2	700 - 950	820	1	5	10
	10054.1020.0.2	950 - 1150	1020	1	7	10
	10054.1270.0.2	1150 - 1400	1270	1	7	10
	10054.1520.0.2	1400 - 1650	1520	1	8	10

Middle Lock

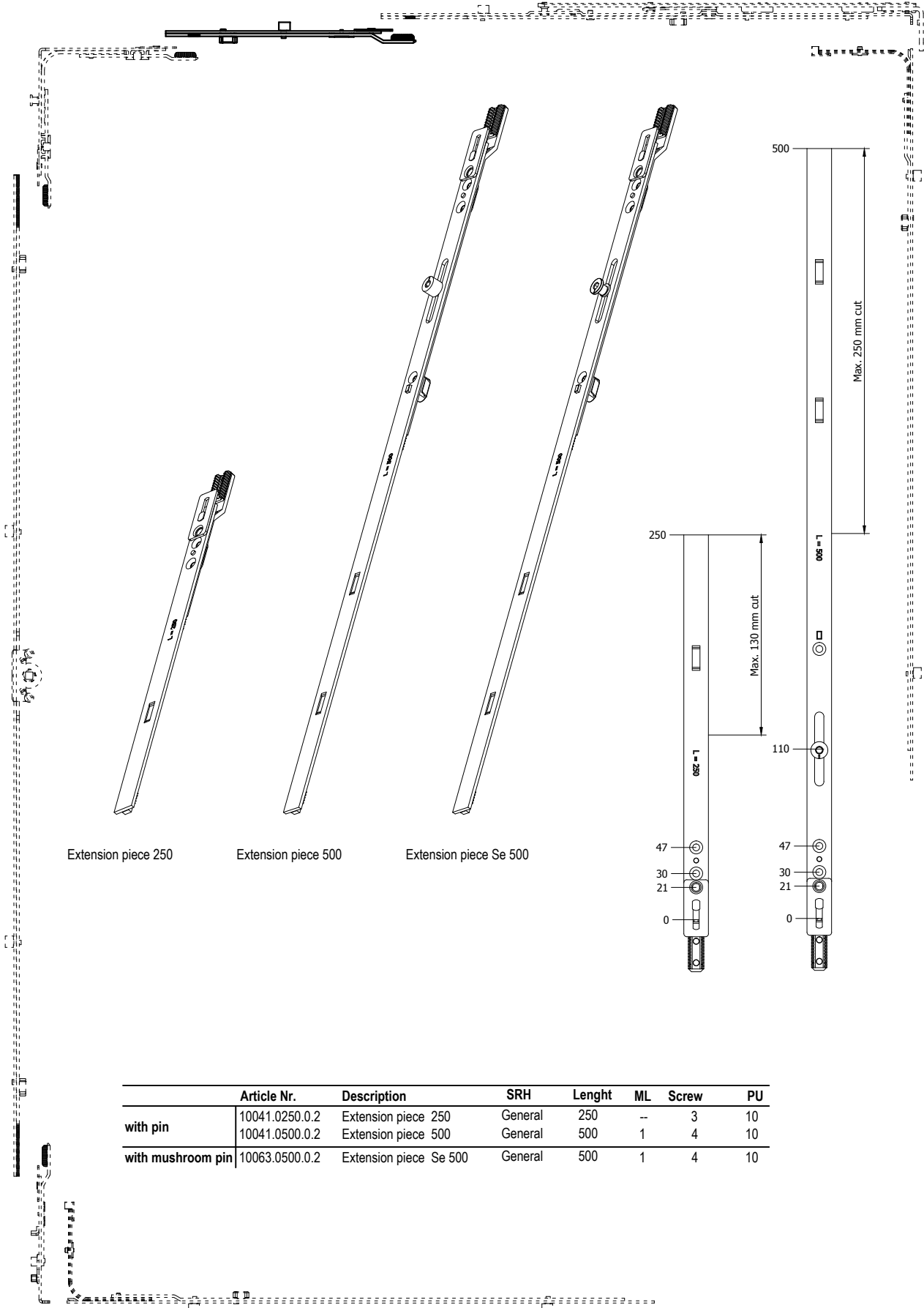


4

Extension Piece



4



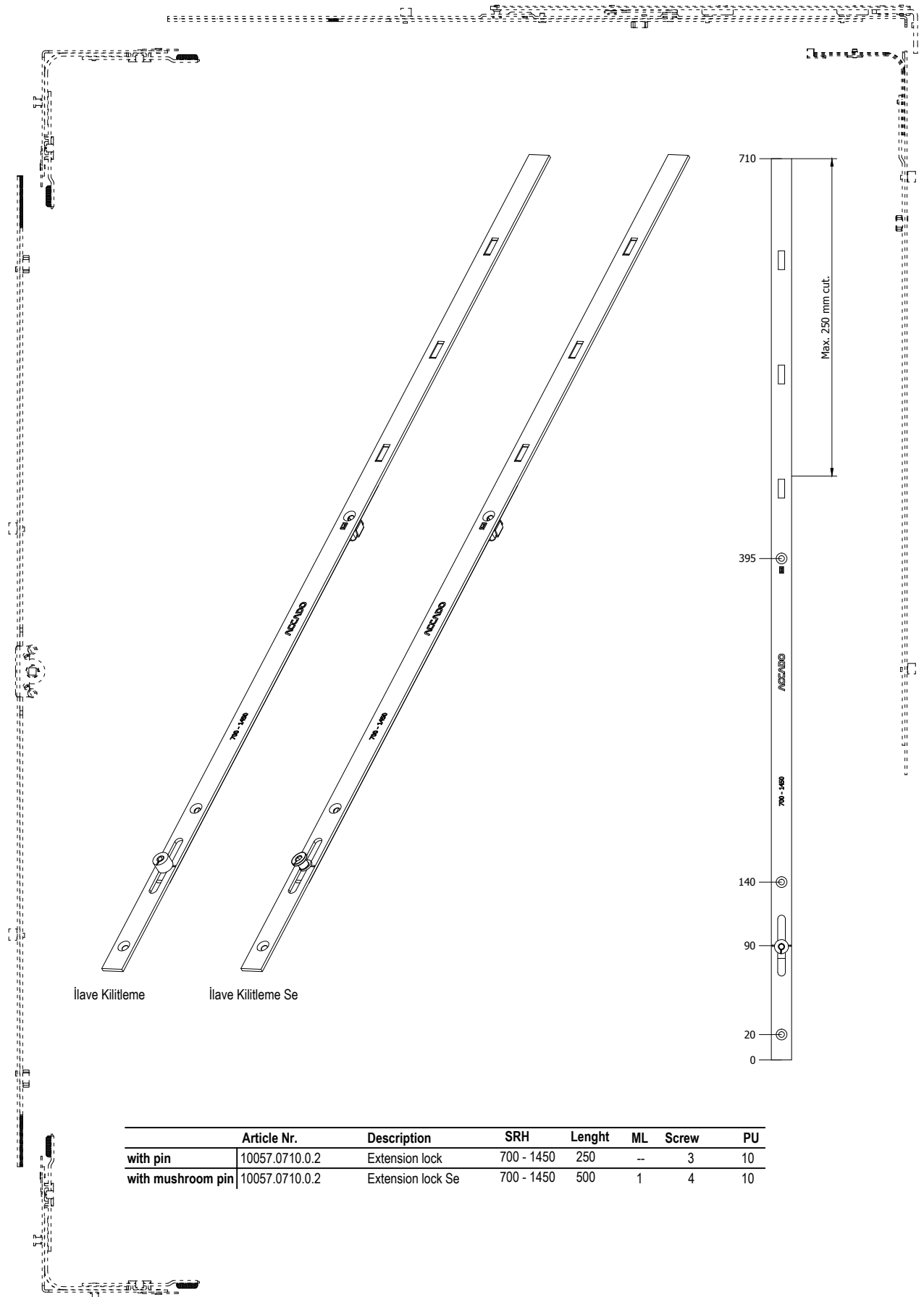
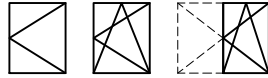
Extension piece 250

Extension piece 500

Extension piece Se 500

	Article Nr.	Description	SRH	Lenght	ML	Screw	PU
with pin	10041.0250.0.2	Extension piece 250	General	250	--	3	10
	10041.0500.0.2	Extension piece 500	General	500	1	4	10
with mushroom pin	10063.0500.0.2	Extension piece Se 500	General	500	1	4	10

Extension Lock



4

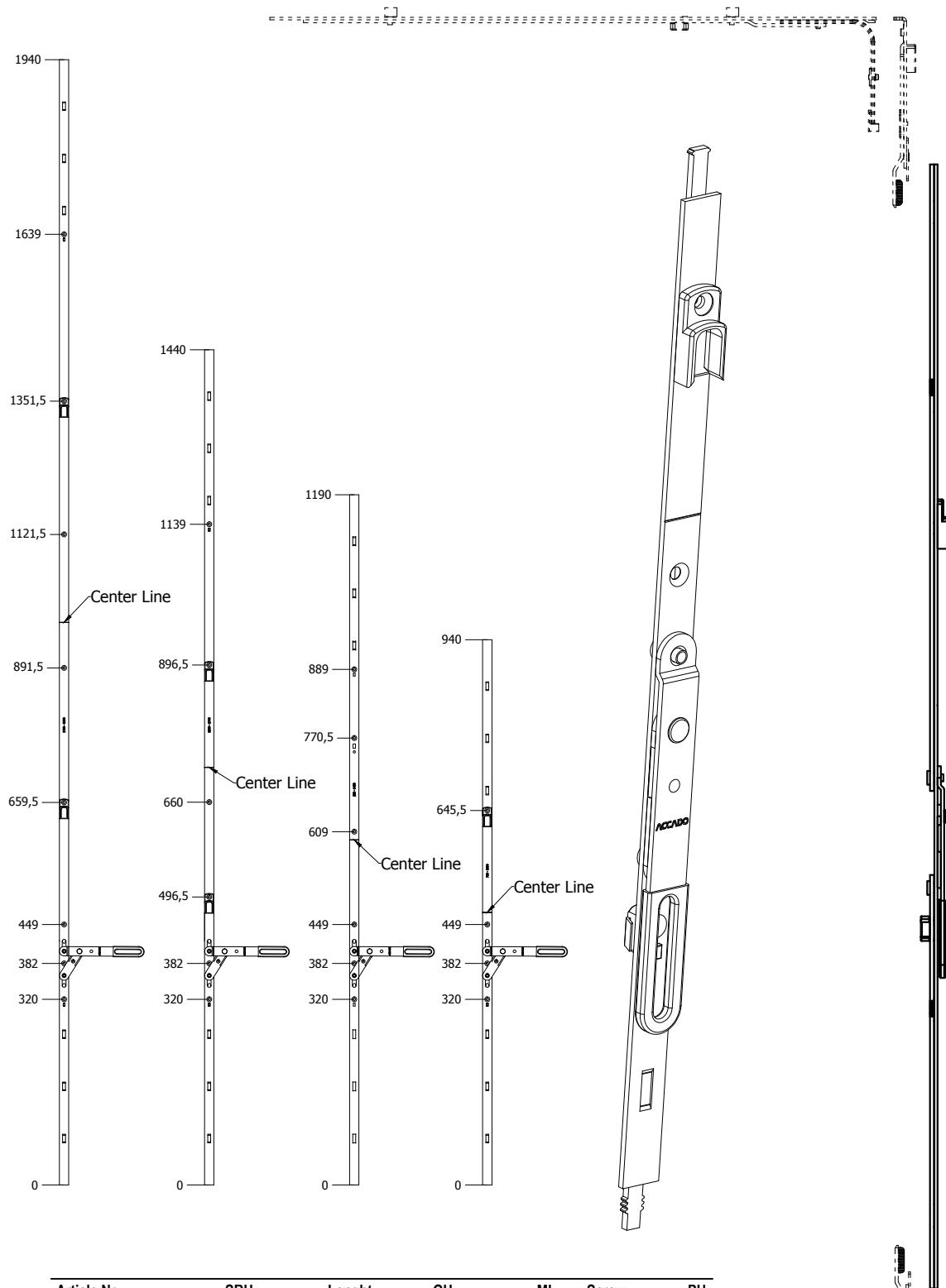
İlave Kilitleme

İlave Kilitleme Se

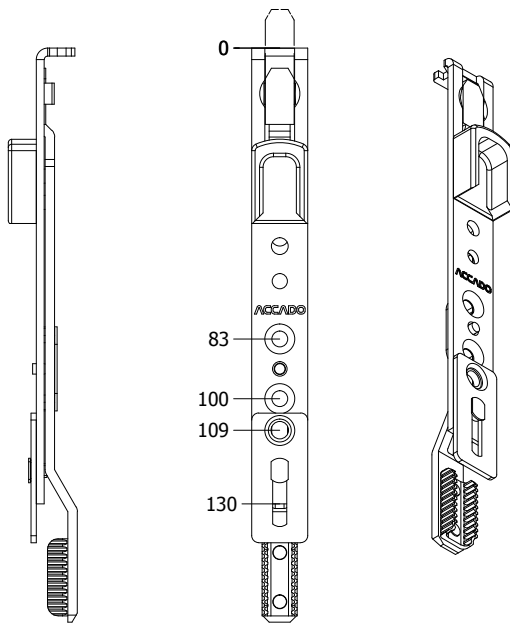
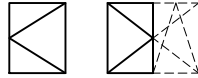
	Article Nr.	Description	SRH	Lenght	ML	Screw	PU
with pin	10057.0710.0.2	Extension lock	700 - 1450	250	--	3	10
with mushroom pin	10057.0710.0.2	Extension lock Se	700 - 1450	500	1	4	10



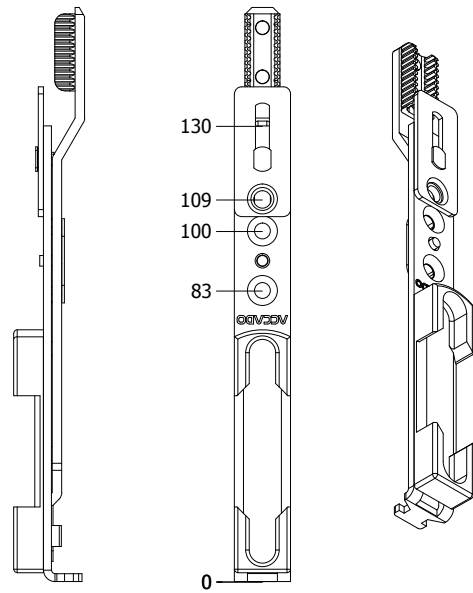
4



Article Nr.	SRH	Lenght	GH	ML	Screw	PU
10010.0940.0.2	700 - 1200	940	350 - 600	1	4	10
10010.1190.0.2	950 - 1450	1190	475 - 725	1	5	10
10010.1440.0.2	1200 - 1700	1440	600 - 850	2	6	10
10010.1940.0.2	1700 - 2200	1940	850 - 1100	2	8	10

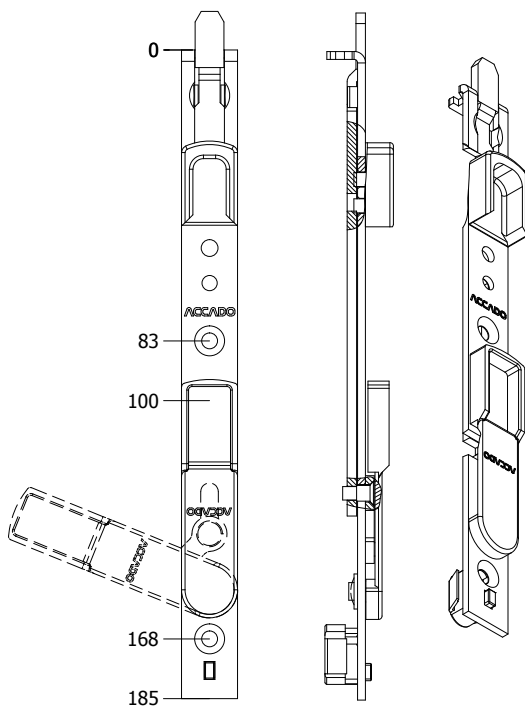


Shoot bolt top

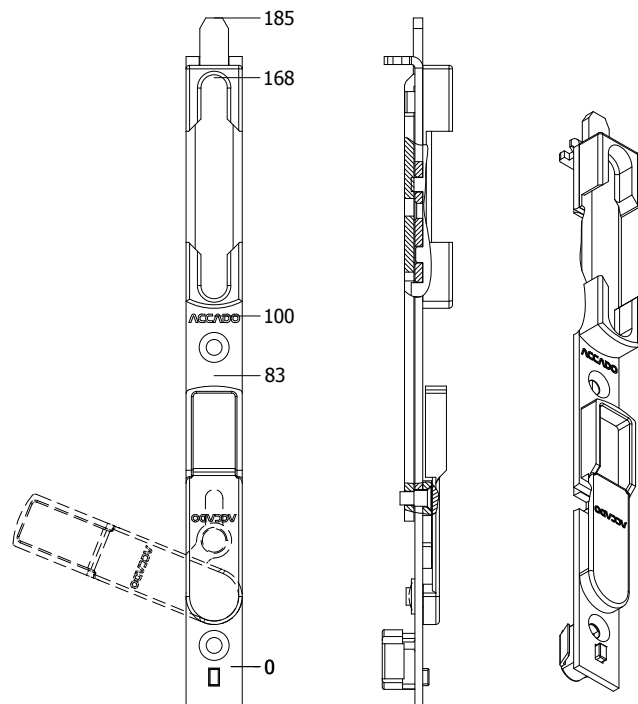


Shoot bolt bottom

4

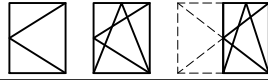


Lever shoot bolt top

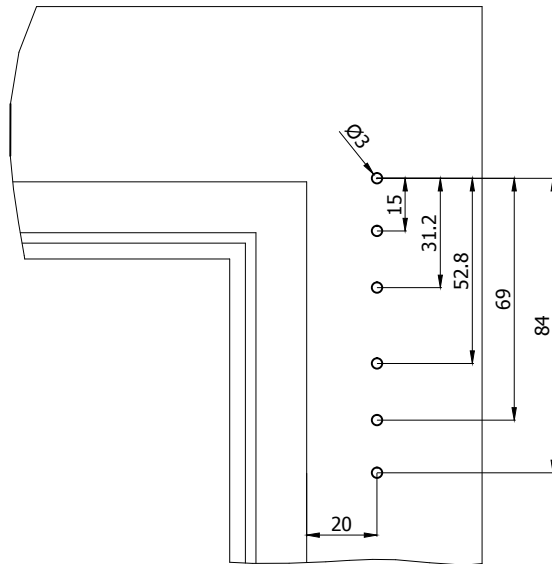
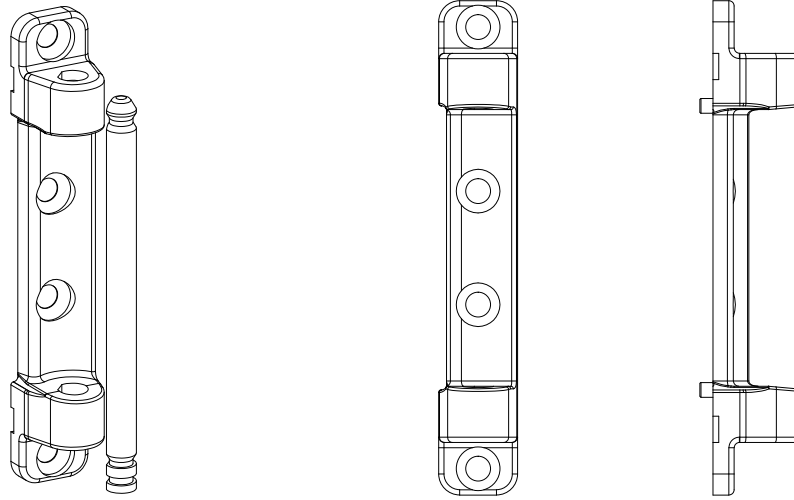


Lever shoot bolt bottom

Article Nr.	Description	SRH	Lenght	ML	Screw	PU
10011.0000.0.2	Shoot bolt top	General	130	1	3	100
10012.0000.0.2	Shoot bolt bottom	General	130	1	3	100
10060.0000.0.2	Lever shoot bolt top	General	185	1	3	25
10061.0000.0.2	Lever shoot bolt bottom	General	185	1	3	25



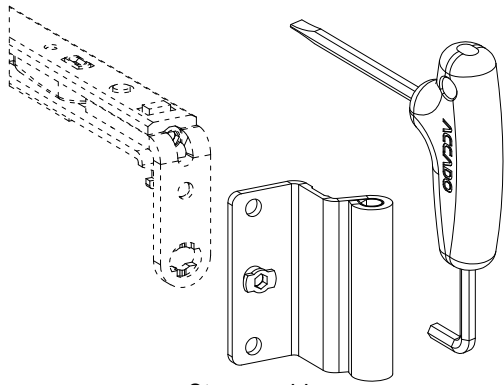
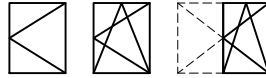
4



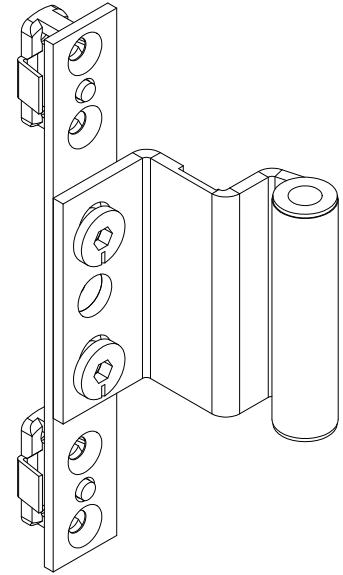
Screw holes

Article Nr.	Description	Max. sash weight	Screw	PU
10013.0000.0.2	Stay arm bearing	130 kg	4	100

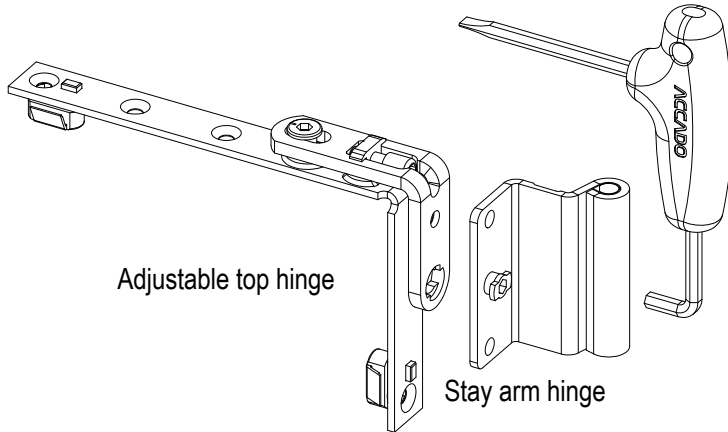
Sash Top Hinges



Stay arm hinge
Tilt & Turn application



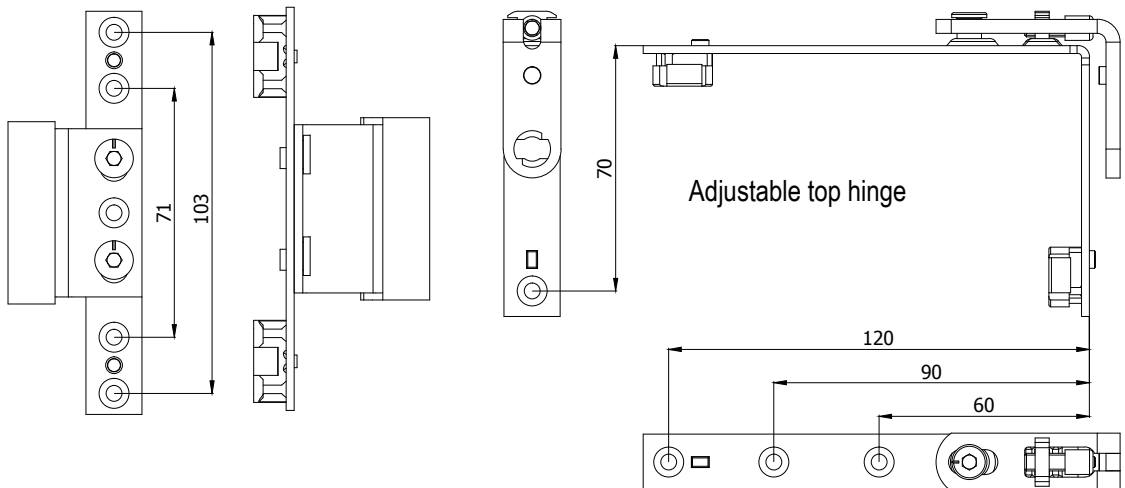
Adjustable middle hinge



Adjustable top hinge

Stay arm hinge

Side hung top hinge application

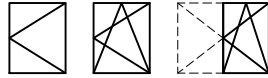


Adjustable middle hinge

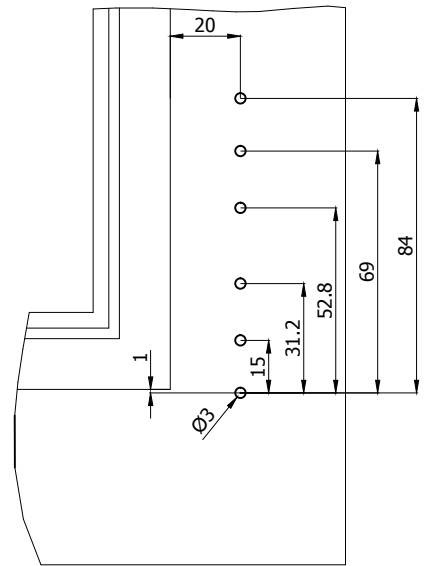
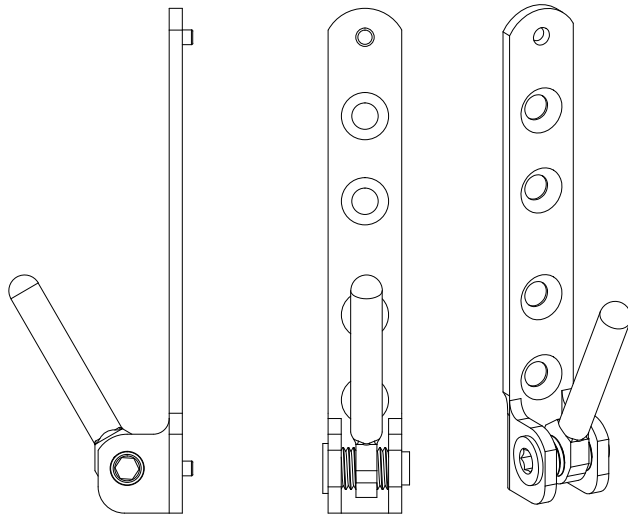
Article Nr.	Description	Max. sash weight	Screw	PU
10014.0009.0.2	Stay arm hinge , 9 mm	130 kg	-	100
10014.0013.0.2	Stay arm hinge , 13 mm	130 kg	-	100
10022.0000.0.2	Adjustable top hinge	130 kg	4	100
10044.0009.0.2	Adjustable middle hinge 9 mm	-	4	100
10044.0013.0.2	Adjustable middle hinge 13 mm	-	4	100

4

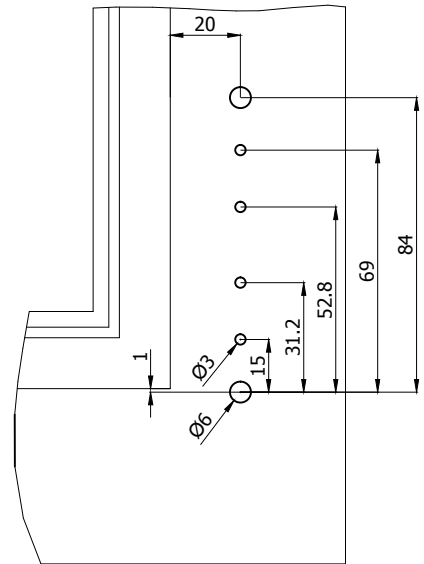
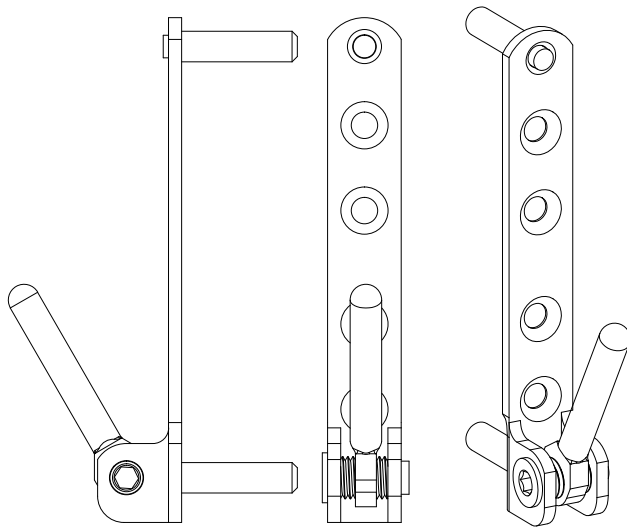
Corner Bearings



4



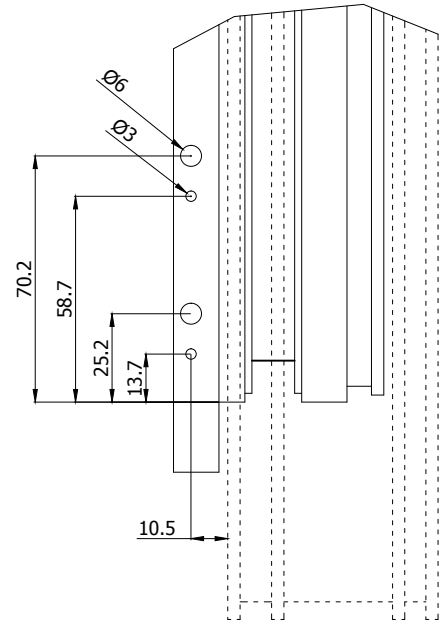
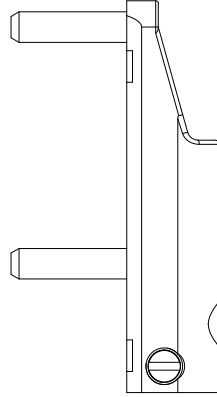
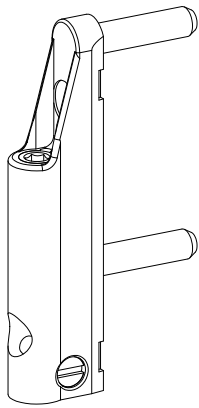
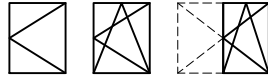
Screw holes



Screw holes

Article Nr.	Description	Max. sash weight	Screw	PU
10015.0000.0.2	Corner bearing	100 kg	4	100
10026.0000.0.2	Corner bearing with pin	130 kg	4	100

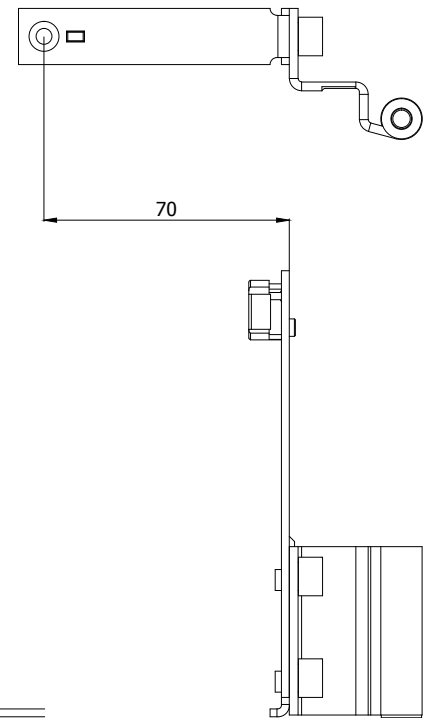
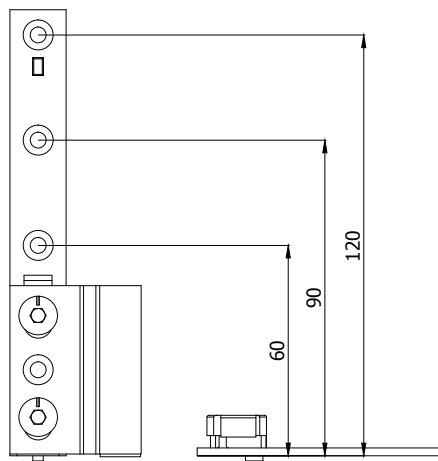
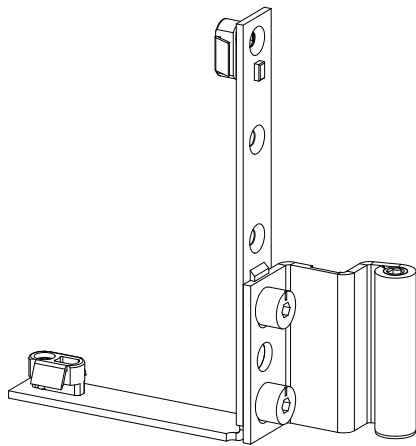
Drill-in Corner Hinges



4

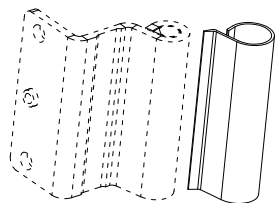
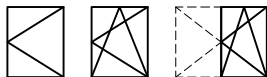
Drill-in corner hinge

Screw holes

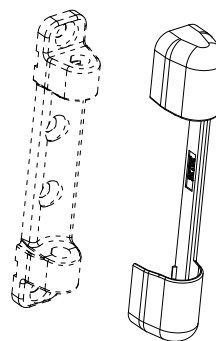


Adjustable bottom hinge

Article Nr.	Description	Max. sash weight	Screw	PU
10016.0000.0.2	Drill-in corner hinge	130 kg	2	100
10023.0009.L.2	Adjustable bottom hinge, 9mm, Left	130 kg	4	100
10023.0009.R.2	Adjustable bottom hinge, 9mm, Right	130 kg	4	100
10023.0013.L.2	Adjustable bottom hinge, 13 mm, Sol	130 kg	4	100
10023.0013.R.2	Adjustable bottom hinge, 13 mm, Sağ	130 kg	4	100

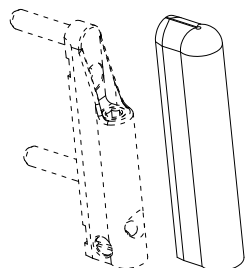


Stay arm hinge cover

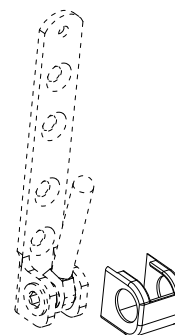


Stay arm bearing cover

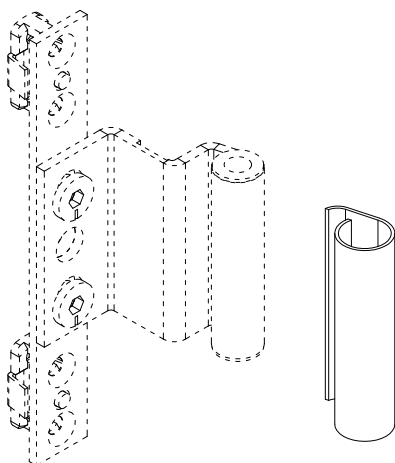
4



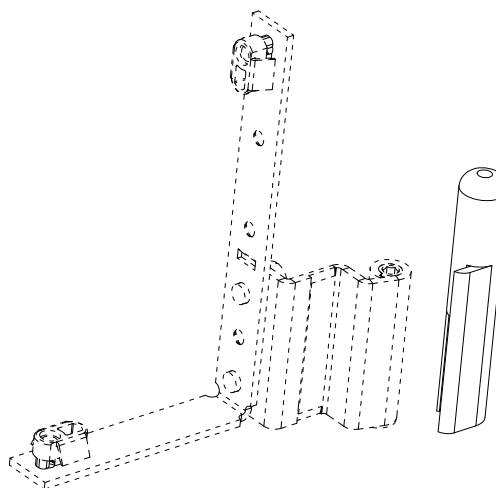
Drill-in corner hinge cover



Corner bearing cover



Adjustable middle hinge cover

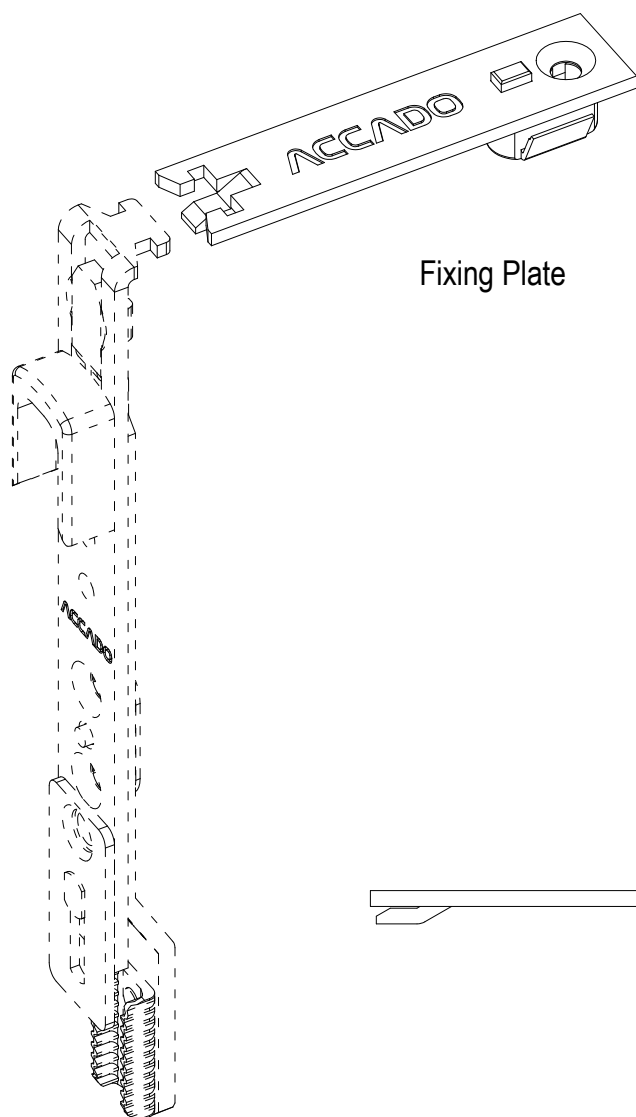
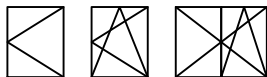


Adjustable bottom hinge cover

Article Nr.	Description	Content	PU
10042.0000.0.*	Top hinge cover set	Stay arm hinge cover + Stay arm bearing cover	100
10043.0000.0.*	Bottom hinge cover set	Drill-in corner hinge cover + Corner bearing cover	100
10045.0000.L.*	Adjustable bottom hinge cover set, Left	Adjustable bottom hinge cover, Left + Corner bearing cover	100
10045.0000.R.*	Adjustable bottom hinge cover set, Right	Adjustable bottom hinge cover, Right + Corner bearing cover	100
10374.0000.0.*	Adjustable middle hinge cover set	Adjustable middle hinge cover + Stay arm bearing cover	100

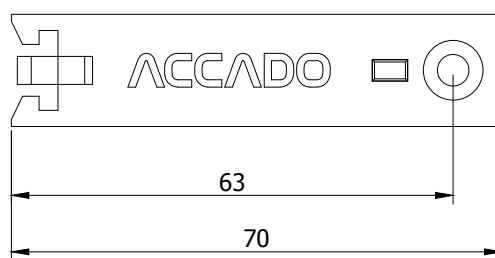
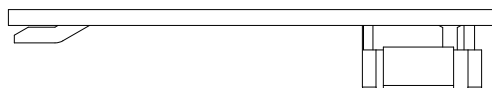
* 1=White ; 2=Silver colour ; 3=Champagne ; 4=Gold colour ; 5=Bronze colour ; 6=Brown

Fixing Plate

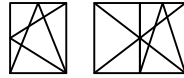


Fixing Plate

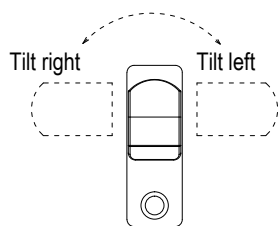
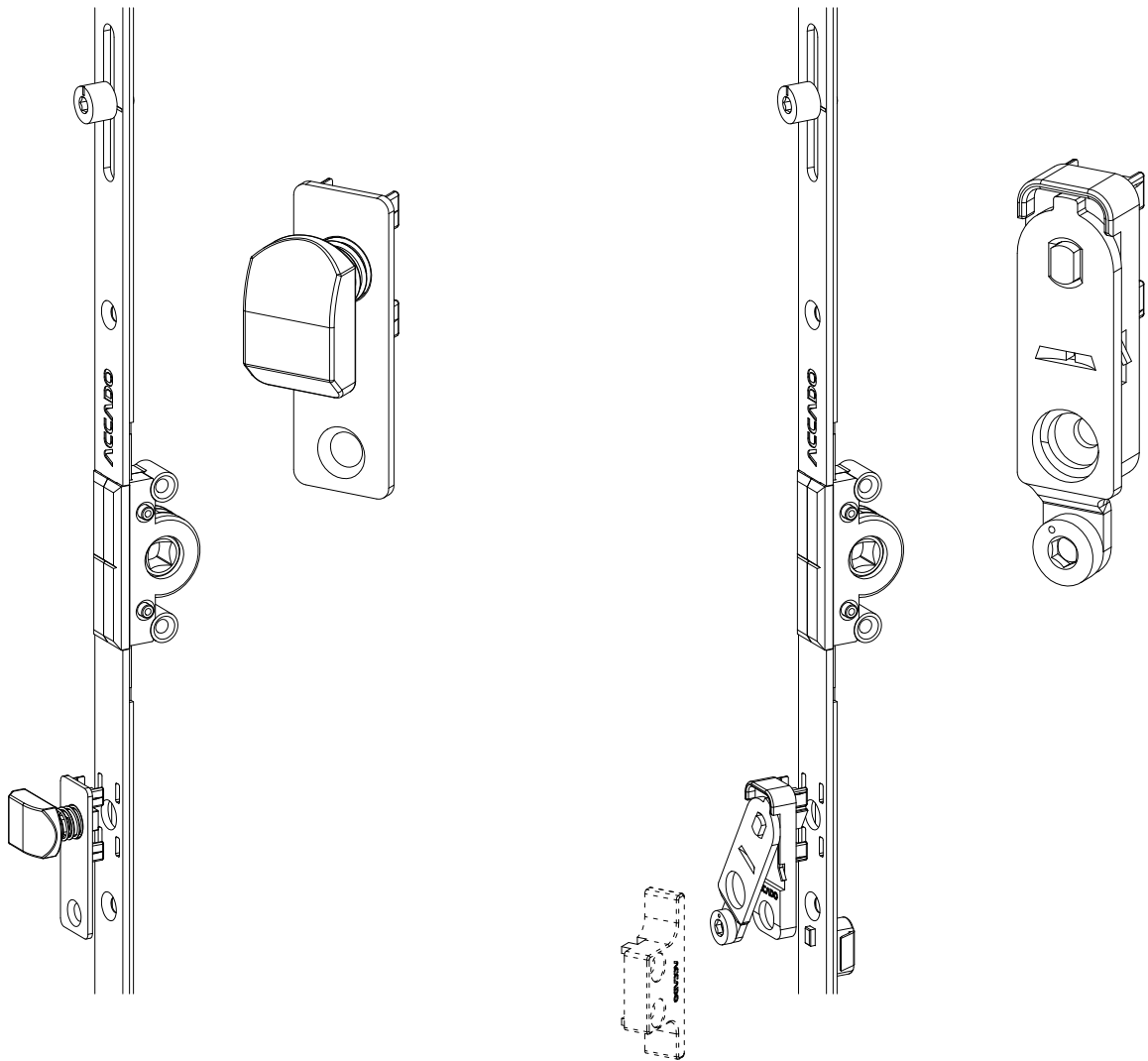
4



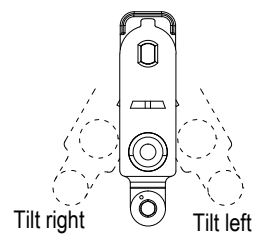
Article Nr.	Description	Lenght	ML	Screw	PU
10062.0000.0.2	Fixing Plate	70	-	1	100



4



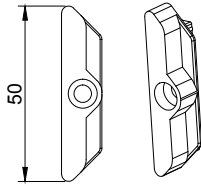
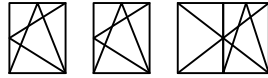
Wrong operation safety device
(without use locking plate)



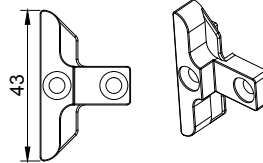
Wrong operation safety & lifting device
(without use locking plate)

Article Nr.	Description	PU
10025.0009.0.2	Wrong operation safety device, 9 mm	100
10025.0013.0.2	Wrong operation safety device, 13 mm	100
10069.0000.0.2	Wrong operation safety & lifting device	100

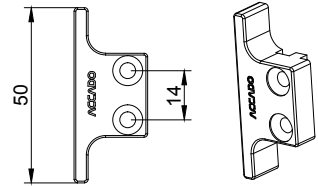
Locking Plates



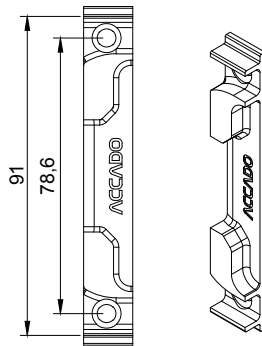
Locking plate



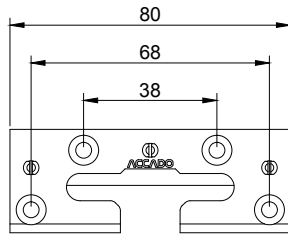
Locking plate



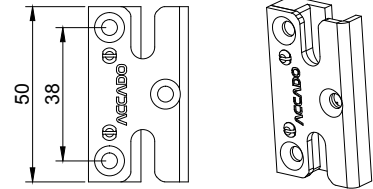
Wrong operation safety & lifting device



Tilt locking plate

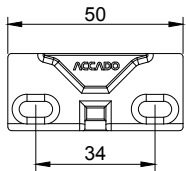


Horizontal tilt locking plate

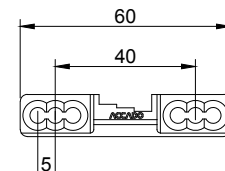


Locking plate Se

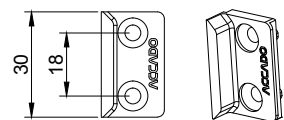
4



Locking plate IS

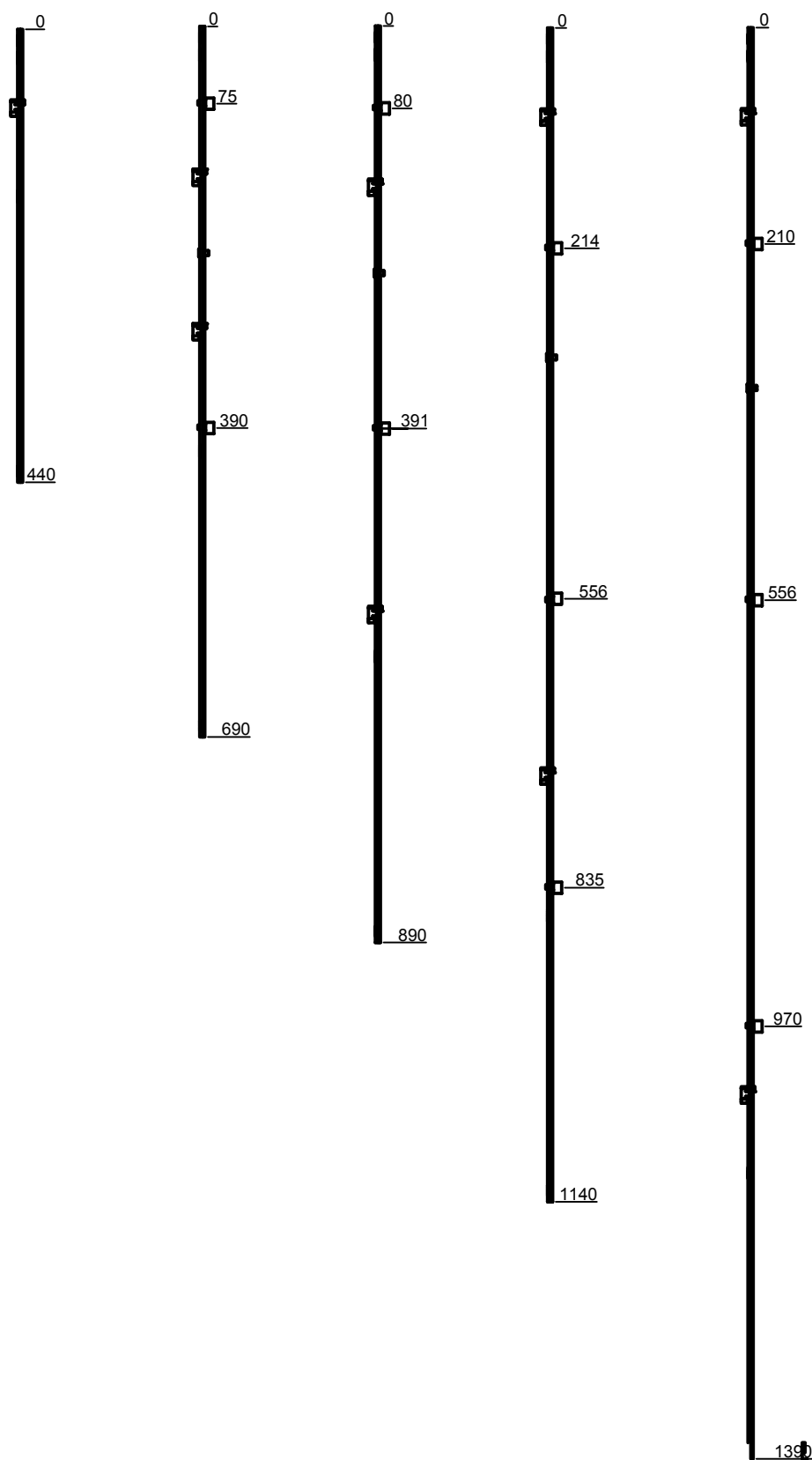


Locking plate for shoot bolt

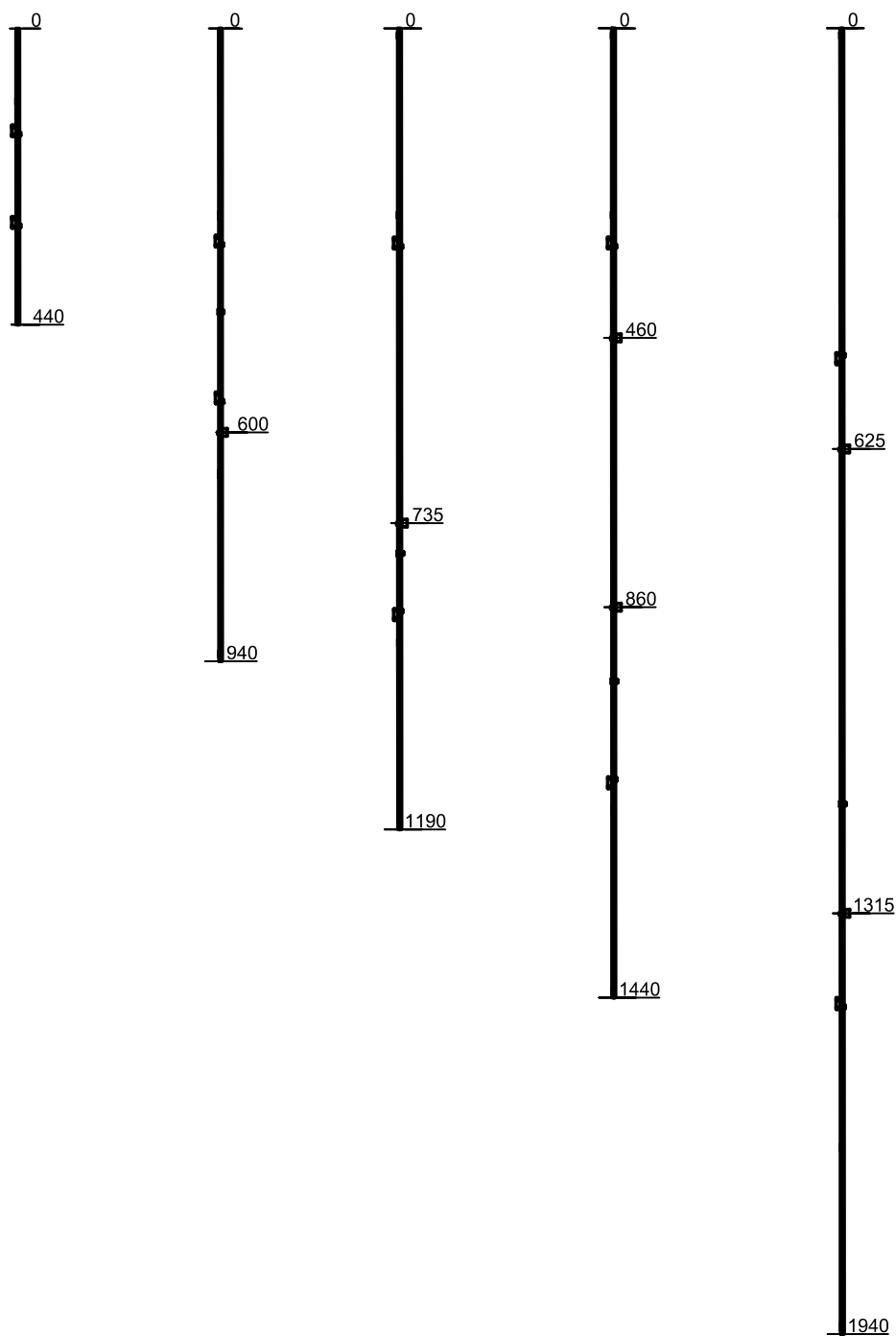


Locking plate for rebate

Description	Article Nr.	Screw	PU
Locking plate	acc. to profile	1	100
Locking plate	acc. to profile	2	100
Locking plate for rebate	20146.0000.0.2	2	250
Wrong operation safety & lifting device	acc. to profile	2	100
Tilt locking plate	acc. to profile	2	100
Horizontal tilt locking plate	acc. to profile	4	100
Locking plate Se	acc. to profile	3	100
Locking plate IS	acc. to profile	2	100
Locking plate for shoot bolt	acc. to profile	2	100

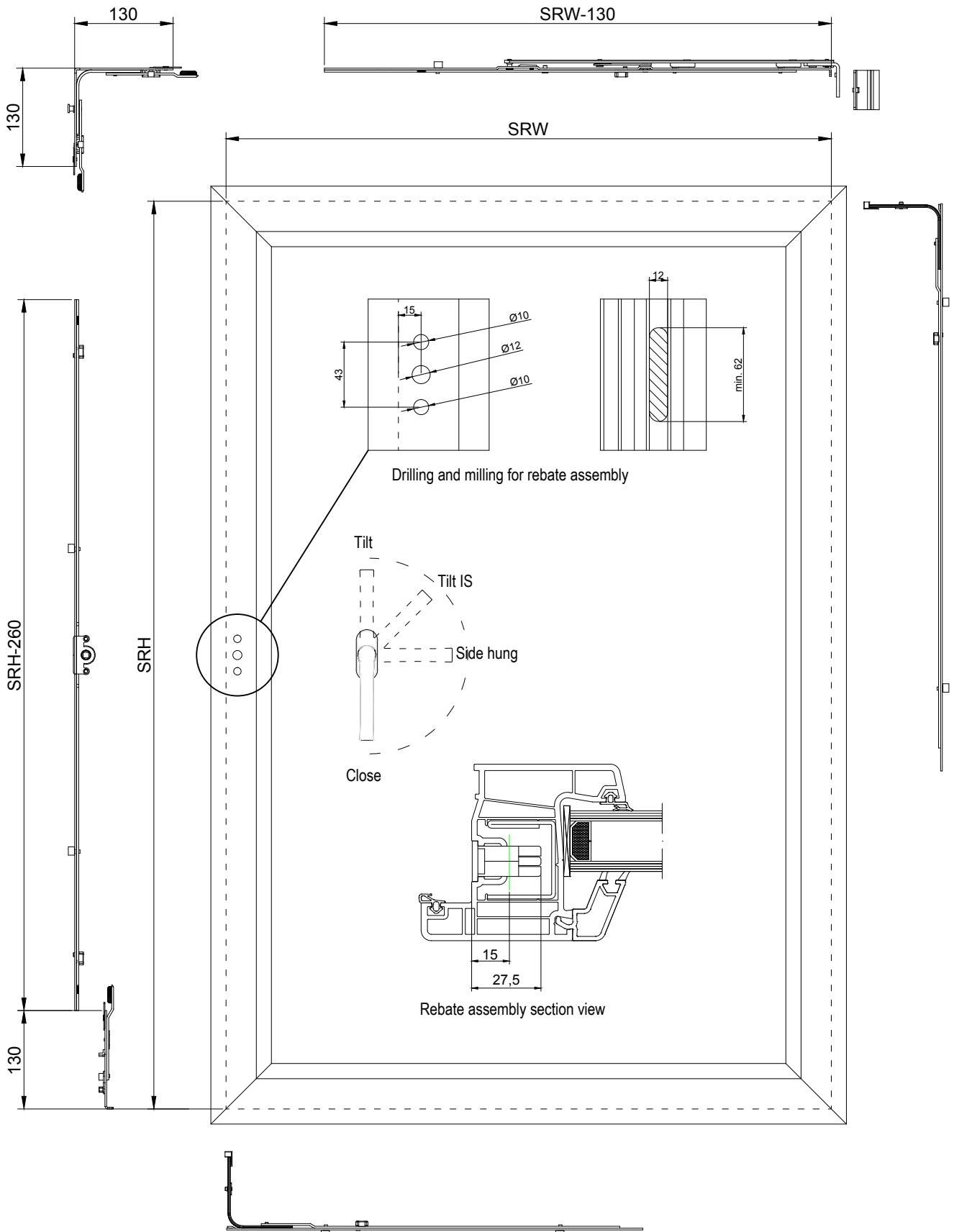


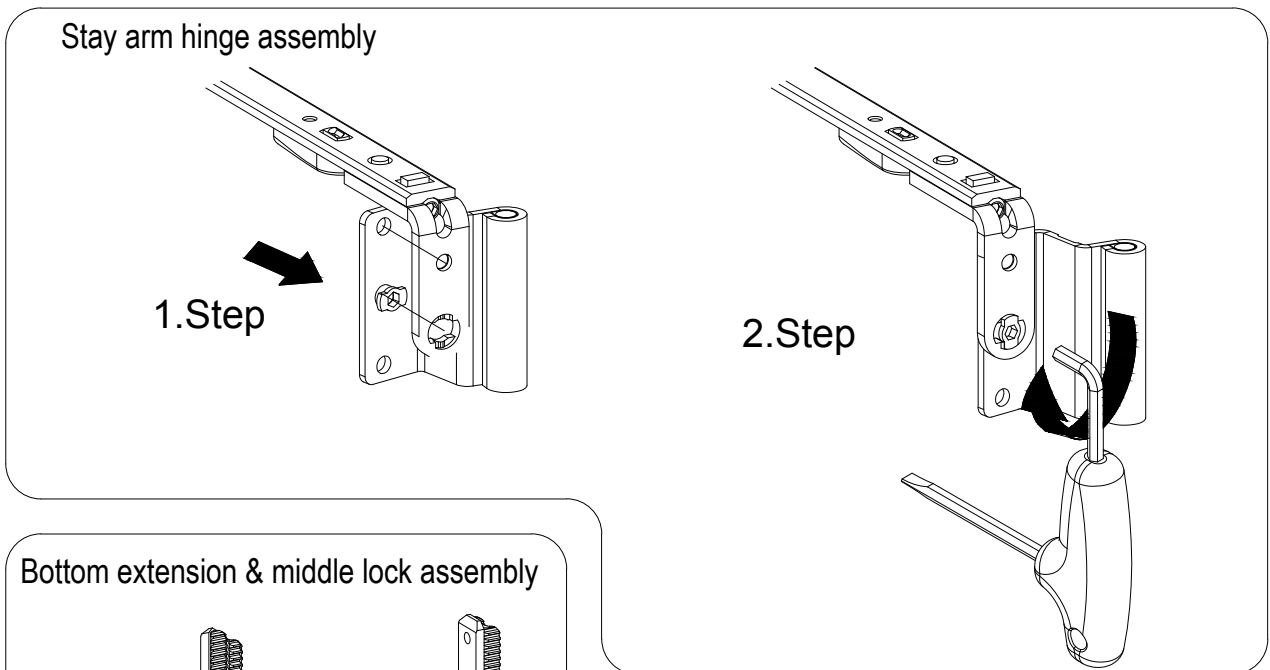
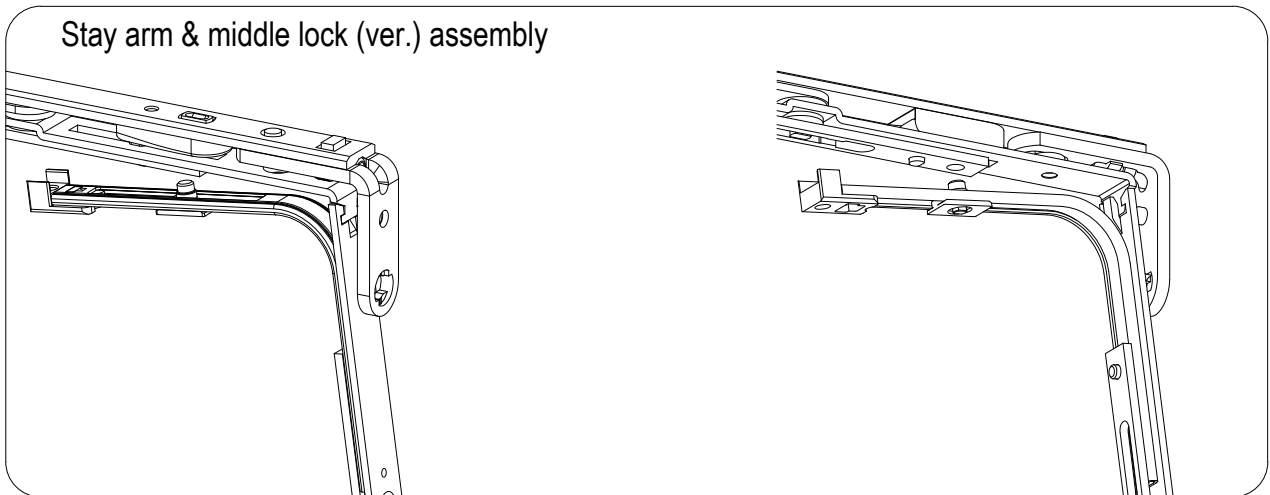
Article Nr.	SRH	Length	KP	Screw	PU
10386.0440.0.2	450 - 700	440	-	1	10
10386.0690.0.2	700 - 900	690	2	2	10
10386.0890.0.2	900 - 1150	890	2	3	10
10386.1140.0.2	1150 - 1400	1140	3	4	10
10386.1390.0.2	1400 - 1650	1390	3	5	10



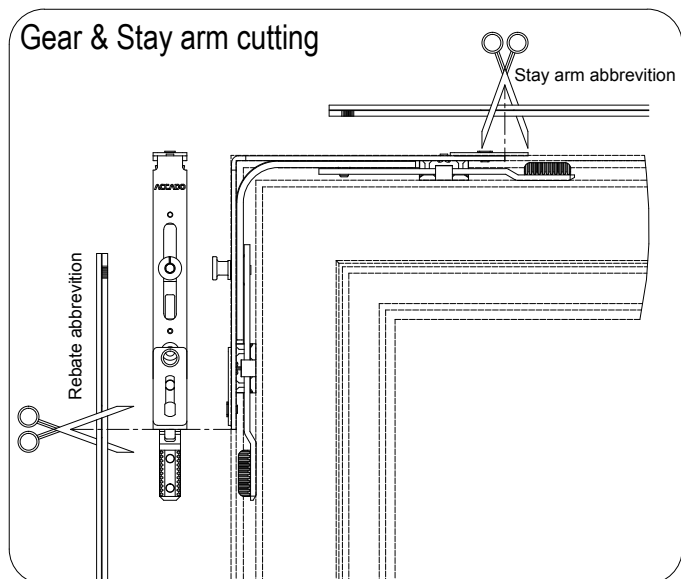
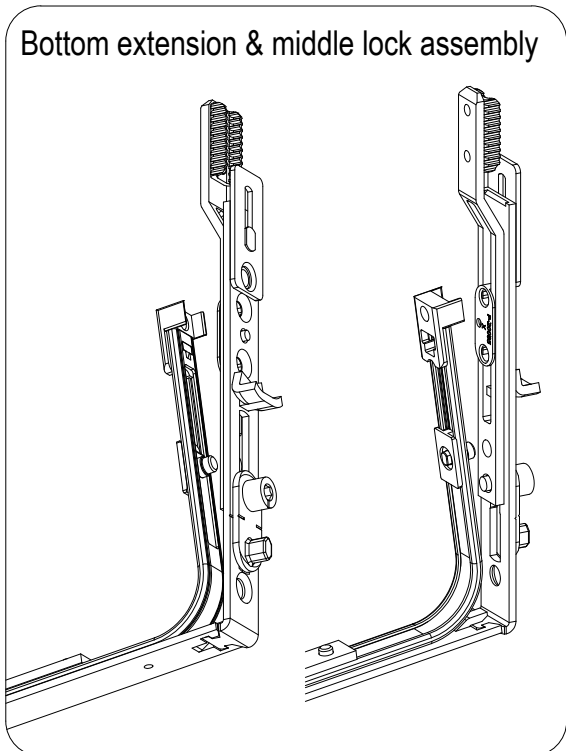
Article Nr.	SRH	Length	KP	Screw	PU
10387.0440.0.2	530 - 700	440	-	2	10
10387.0940.0.2	700 - 1200	940	1	2	10
10387.1190.0.2	950 - 1450	1190	1	2	10
10387.1440.0.2	1200 - 1700	1440	2	2	10
10387.1940.0.2	1700 - 2200	1940	2	2	10

5

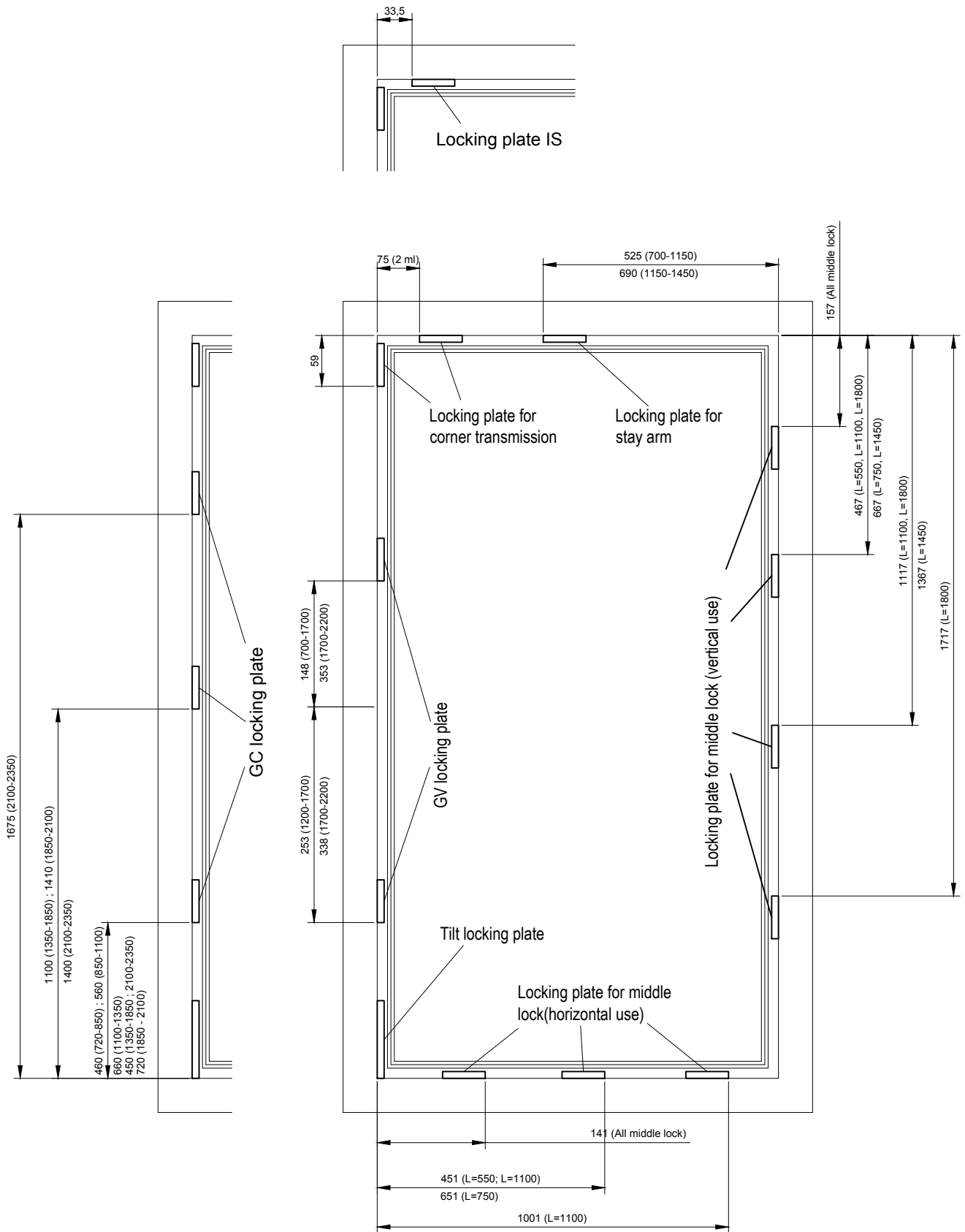




5



5





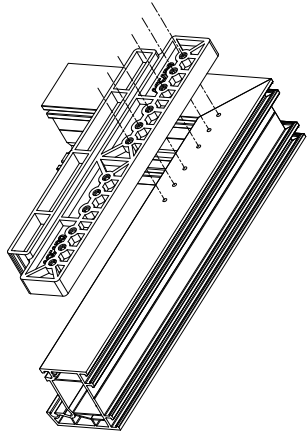
Locking jig for corner transmission
10033.0000.0.2



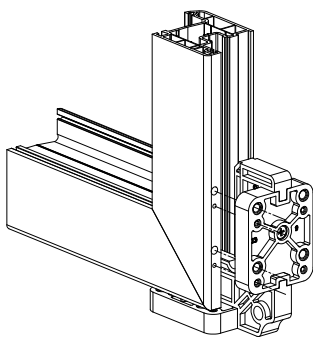
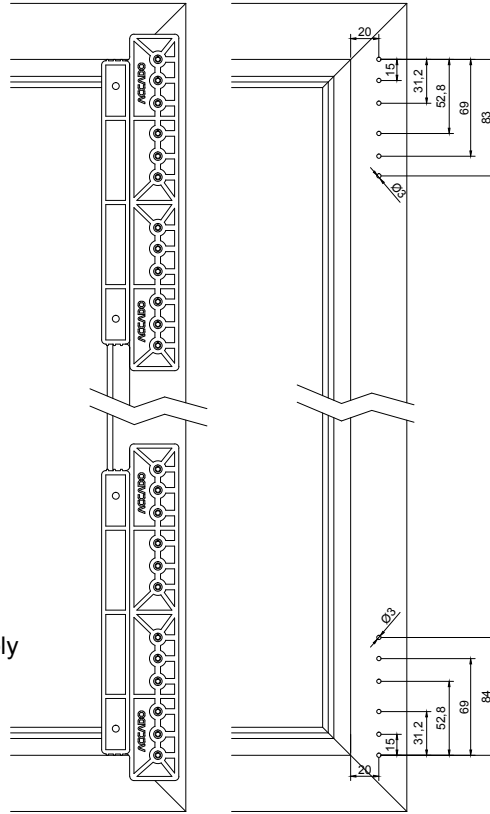
Locking jig for stay arm
10035.0000.0.2



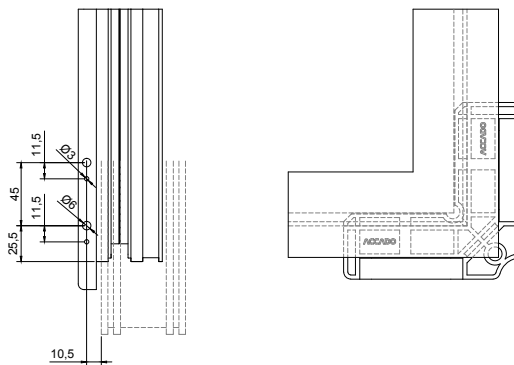
Locking jig for GV rebate
10032.0000.0.2



Drilling jig for bearing assembly
10007.0000.0.7



Drilling jig for hinge assembly
10031.0000.0.7



Locking jig for middle lock (ver.)
10034.0001.0.2

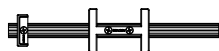


Locking jig for middle lock 240 (ver.)
10034.0011.0.2



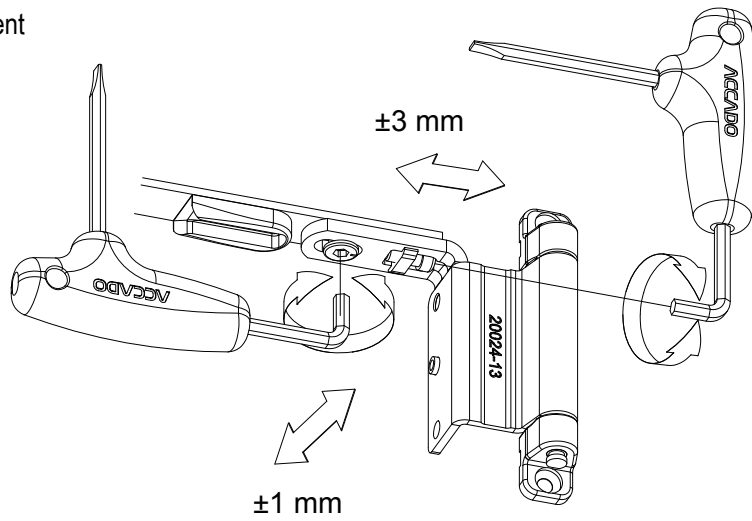
5

Locking jig for middle lock (hor.)
10034.0002.0.2



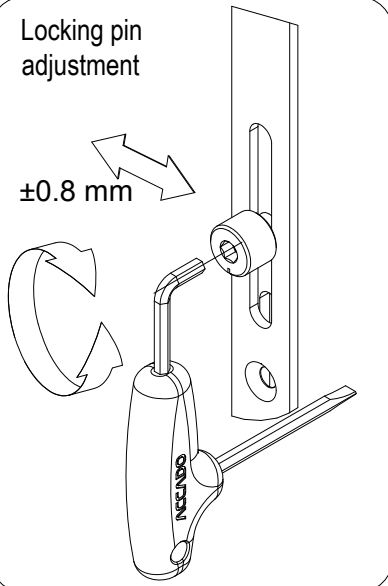
Locking jig for middle lock (hor.)
10034.0012.0.2

Stay arm adjustment

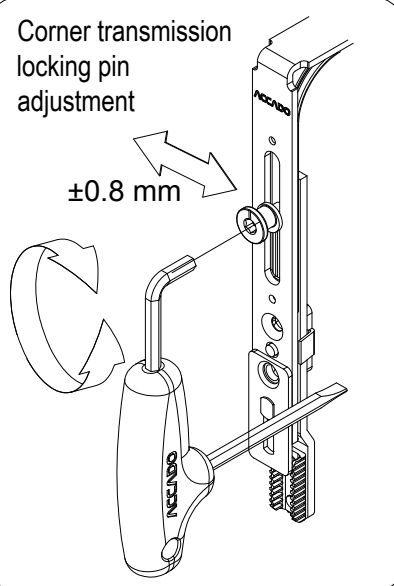


5

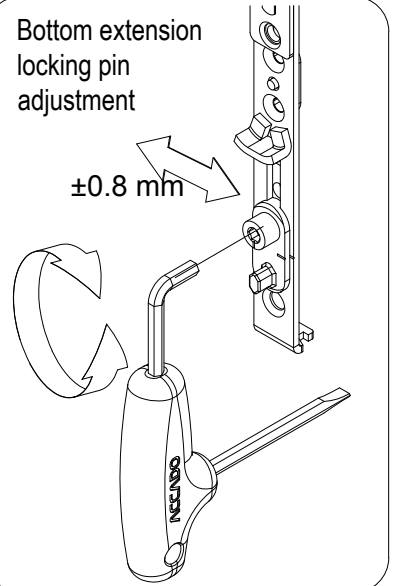
Locking pin adjustment



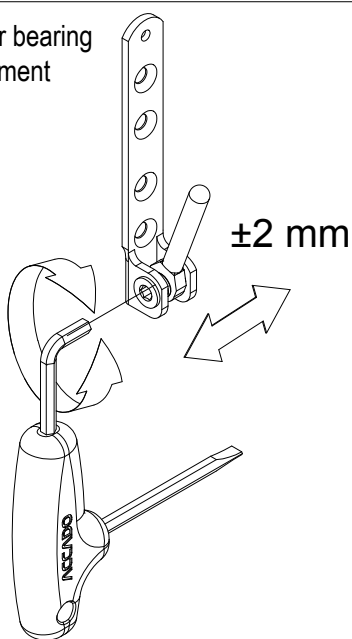
Corner transmission locking pin adjustment



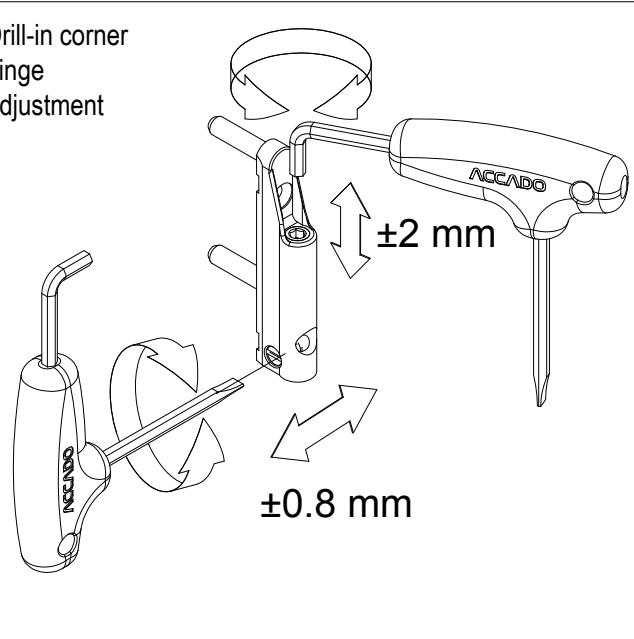
Bottom extension locking pin adjustment

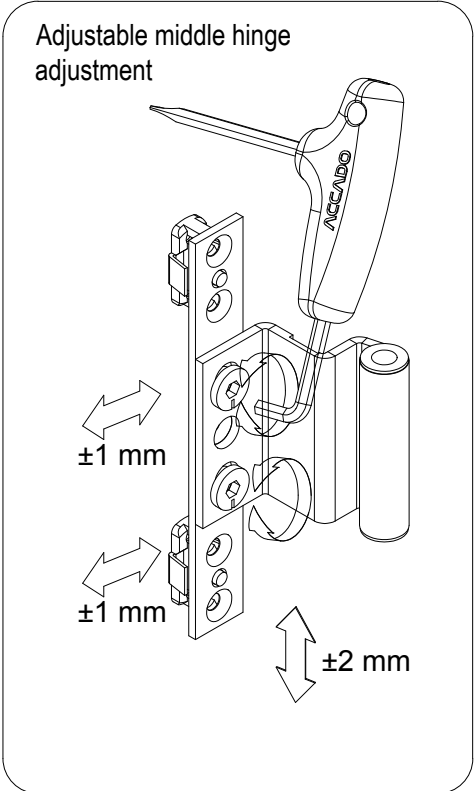
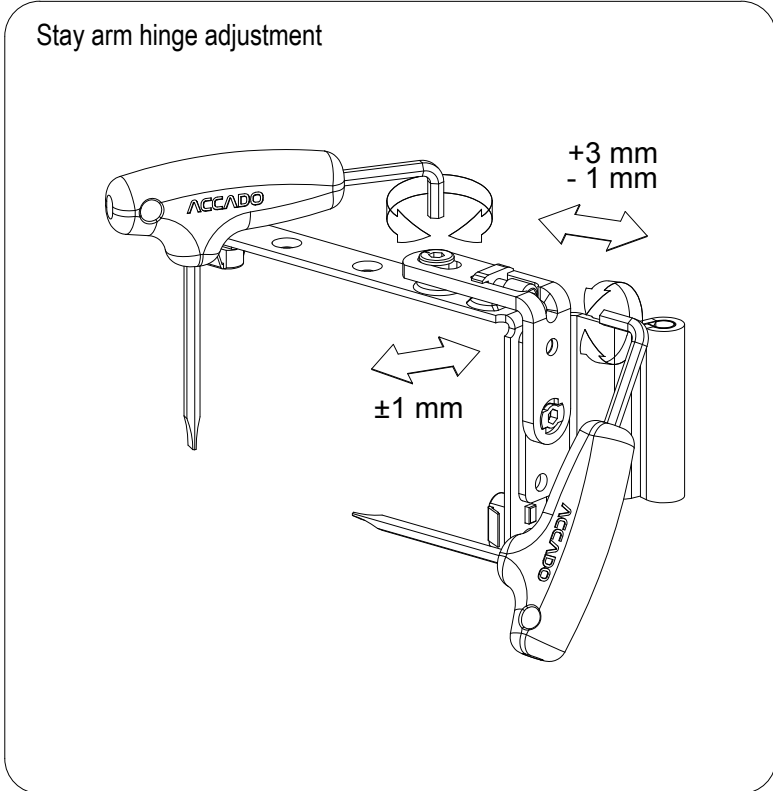


Corner bearing adjustment

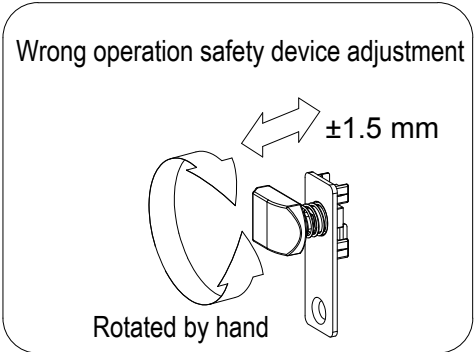
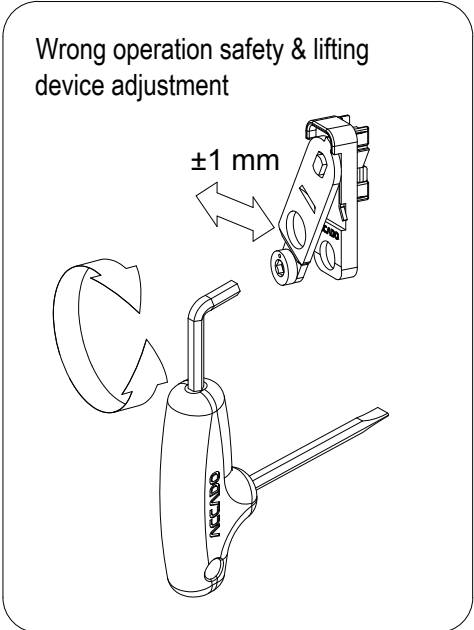
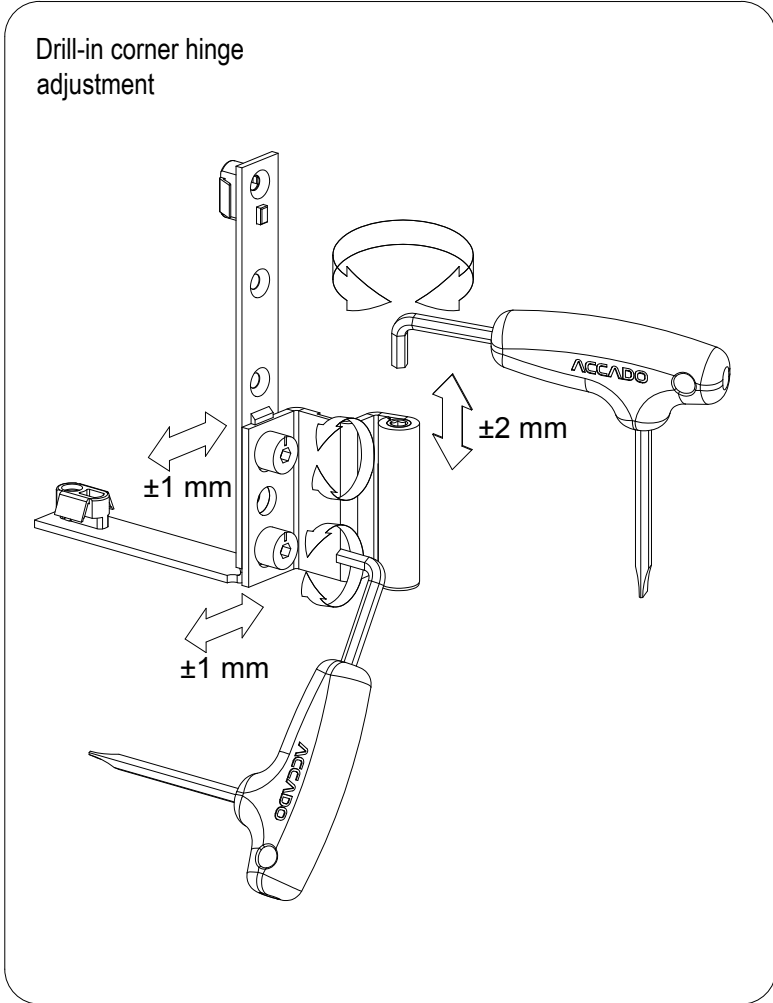


Drill-in corner hinge adjustment

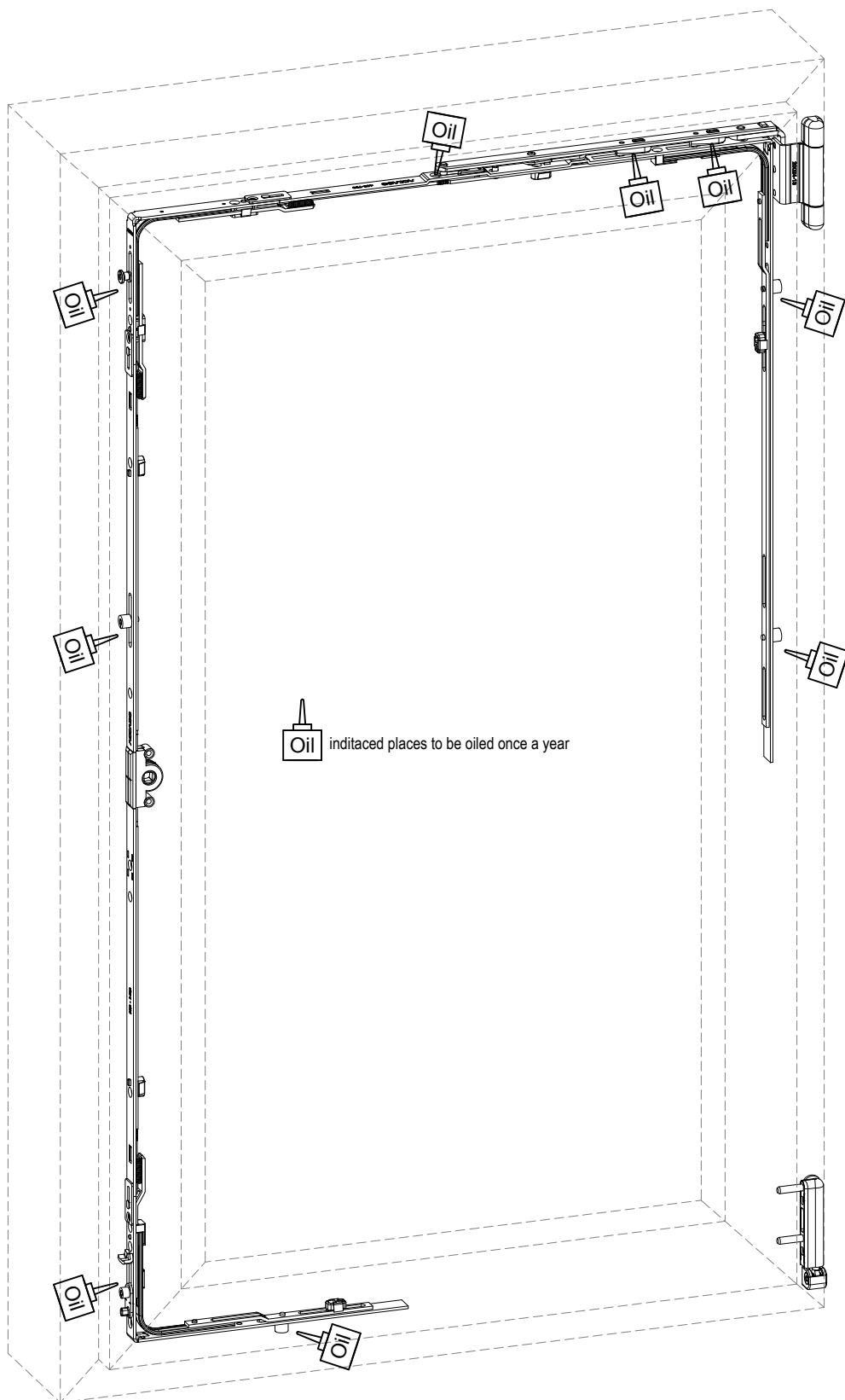




5



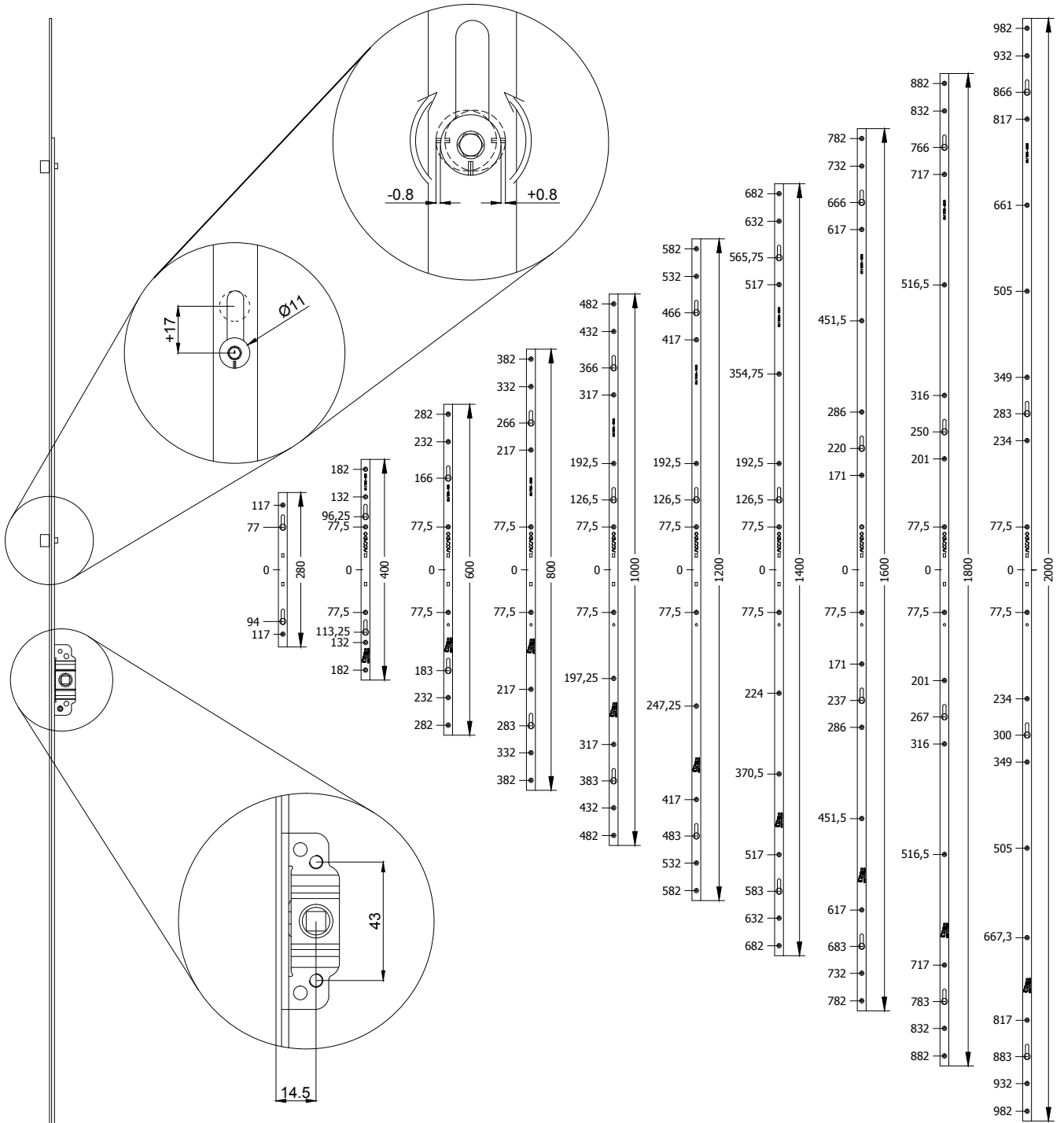
5



Side Hung 15 mm Backset GV Gear (steel gear box)

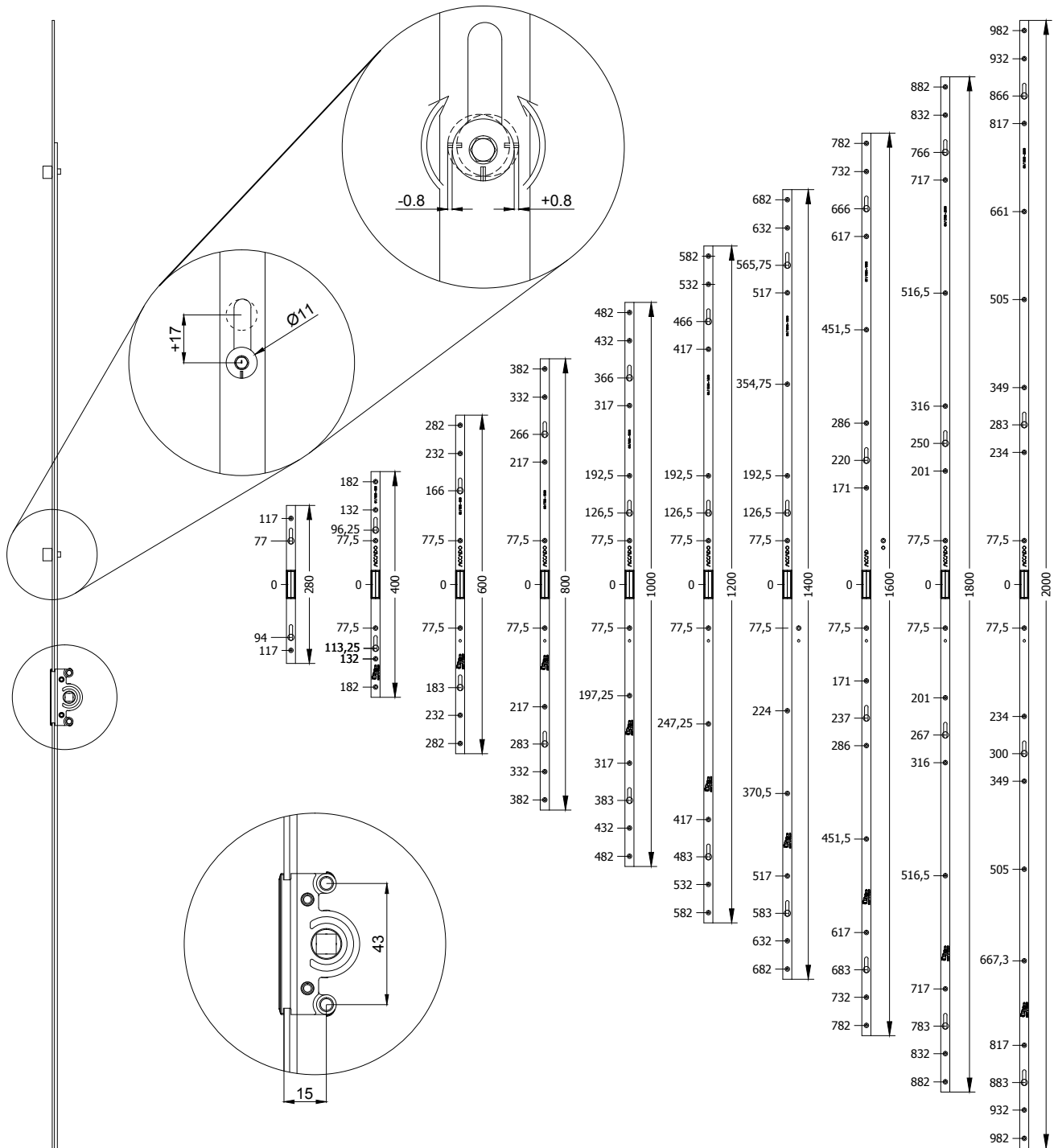


6



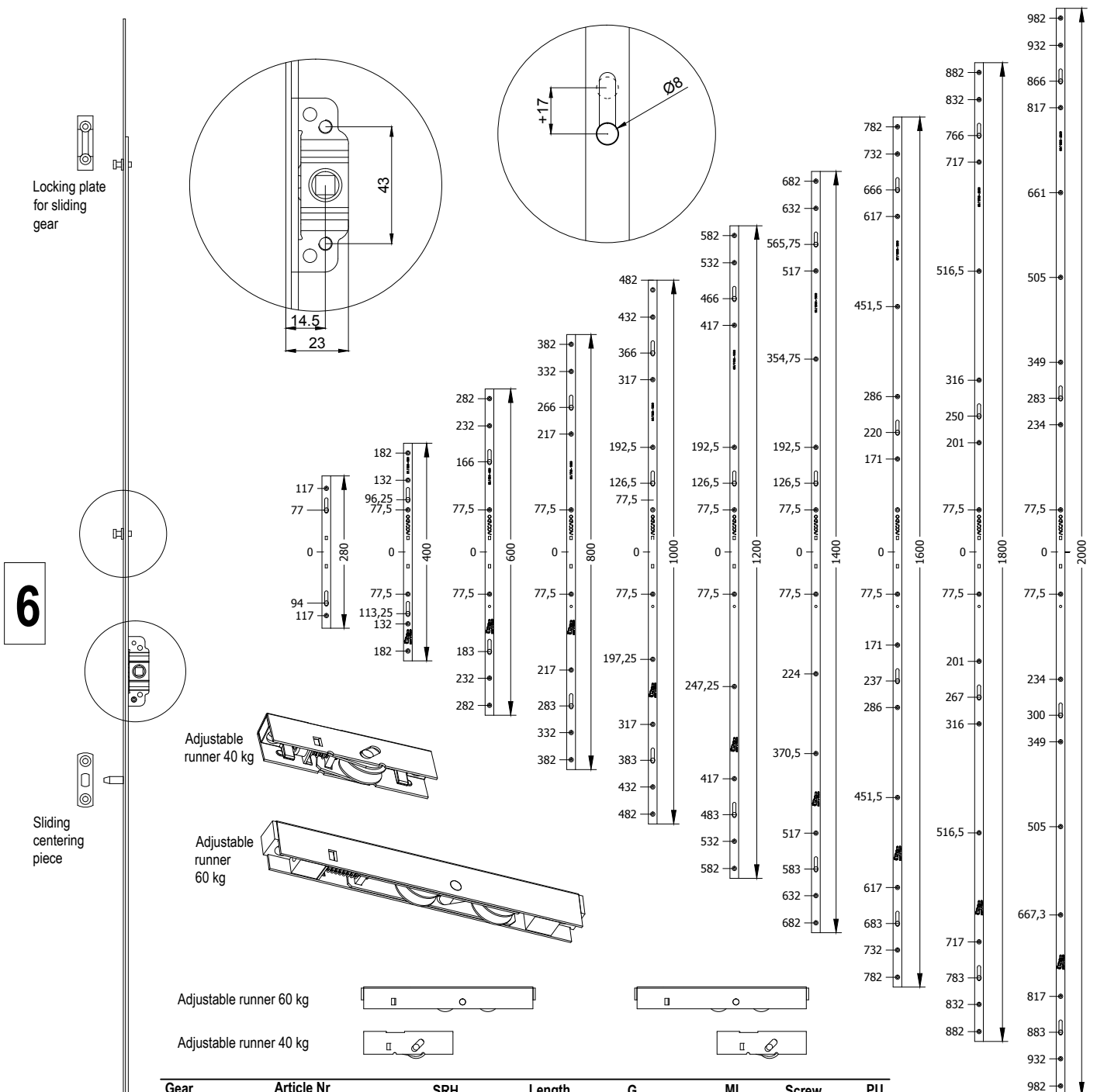
Article Nr	SRH	Length	GH	ML	Screw	PU
10071.0280.0.2	280 - 400	280	140 - 200	2	2	50
10071.0400.0.2	300 - 600	400	150 - 300	2	6	50
10071.0600.0.2	500 - 800	600	250 - 400	2	6	50
10071.0800.0.2	700 - 1000	800	350 - 500	2	8	50
10071.1000.0.2	900 - 1200	1000	450 - 600	3	10	50
10071.1200.0.2	1100 - 1400	1200	550 - 700	3	10	50
10071.1400.0.2	1300 - 1600	1400	650 - 800	3	12	20
10071.1600.0.2	1500 - 1800	1600	750 - 900	4	14	20
10071.1800.0.2	1700 - 2000	1800	850 - 1000	4	14	20
10071.2000.0.2	1900 - 2200	2000	950 - 1100	4	16	20

Side Hung 15 mm Backset GV Gear (zinc gear box)



Article Nr	SRH	Length	GH	ML	Screw	PU
10070.0280.0.2	280 - 400	280	140 - 200	2	2	50
10070.0400.0.2	300 - 600	400	150 - 300	2	6	50
10070.0600.0.2	500 - 800	600	250 - 400	2	6	50
10070.0800.0.2	700 - 1000	800	350 - 500	2	8	50
10070.1000.0.2	900 - 1200	1000	450 - 600	3	10	50
10070.1200.0.2	1100 - 1400	1200	550 - 700	3	10	50
10070.1400.0.2	1300 - 1600	1400	650 - 800	3	12	20
10070.1600.0.2	1500 - 1800	1600	750 - 900	4	14	20
10070.1800.0.2	1700 - 2000	1800	850 - 1000	4	14	20
10070.2000.0.2	1900 - 2200	2000	950 - 1100	4	16	20

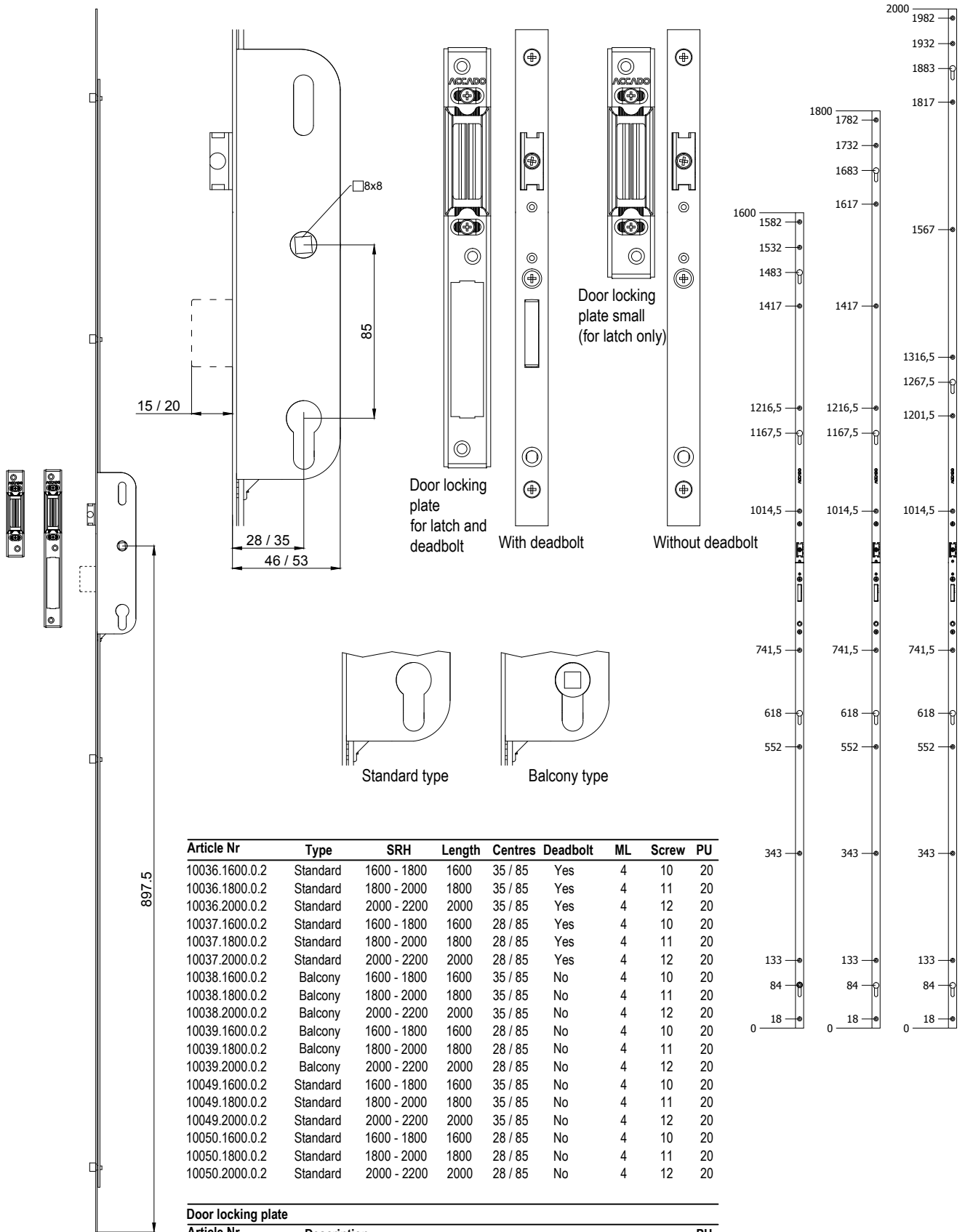
15 mm Backset GV Sliding Gear (steel gear box)



Gear	Article Nr	SRH	Length	G	ML	Screw	PU
	10072.0280.0.2	280 - 400	280	140 - 200	2	2	50
	10072.0400.0.2	300 - 600	400	150 - 300	2	6	50
	10072.0600.0.2	500 - 800	600	250 - 400	2	6	50
	10072.0800.0.2	700 - 1000	800	350 - 500	2	8	50
	10072.1000.0.2	900 - 1200	1000	450 - 600	3	10	50
	10072.1200.0.2	1100 - 1400	1200	550 - 700	3	10	50
	10072.1400.0.2	1300 - 1600	1400	650 - 800	3	12	20
	10072.1600.0.2	1500 - 1800	1600	750 - 900	4	14	20
	10072.1800.0.2	1700 - 2000	1800	850 - 1000	4	14	20
	10072.2000.0.2	1900 - 2200	2000	950 - 1100	4	16	20

Slide & tilt runner set	Article Nr	Description	Capacity	PU
	10239.0000.0.2	Adjustable slide & tilt runner set (2 plastic runner)	60 kg	150
	10241.0000.0.2	Adjustable slide & tilt runner set (2 brass runner)	60 kg	150
	10240.0000.0.2	Adjustable slide & tilt runner set (1 plastic runner)	40 kg	150
	10242.0000.0.2	Adjustable slide & tilt runner set (1 brass runner)	40 kg	150

Locking plate for sliding gear	Article Nr	Description	PU
	20275.0000.0.2	Locking plate for sliding gear	1250
	20311.0000.0.2	Sliding centering piece	1250
	20420.0000.0.2	Locking plate for sliding gear (plastic base)	1250

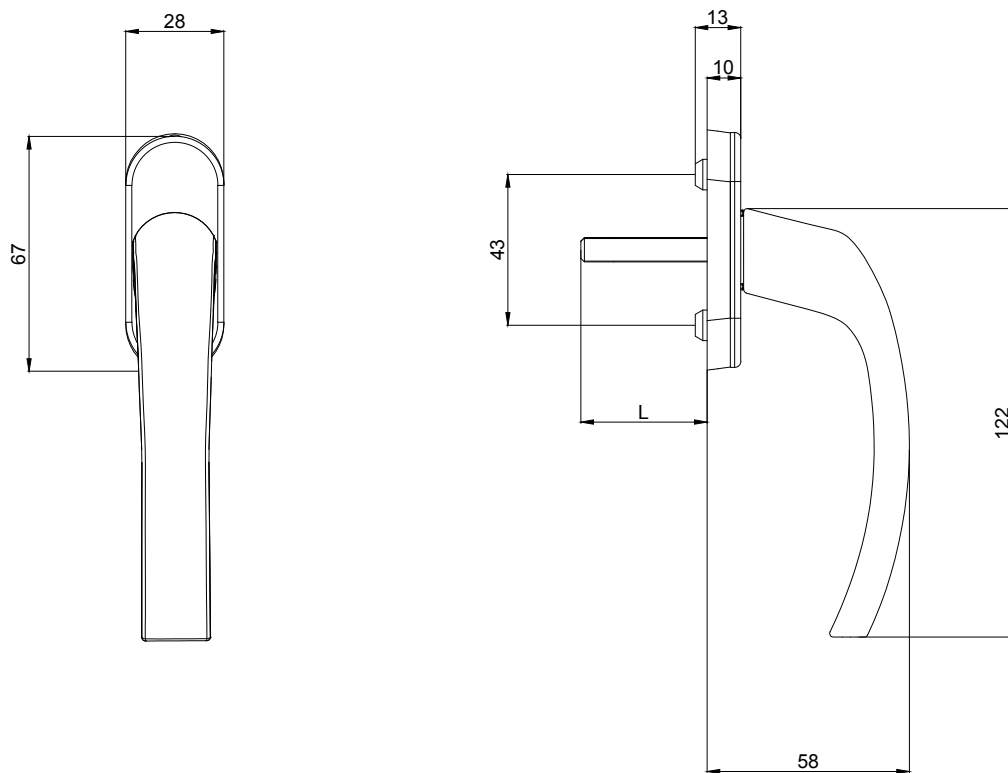
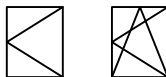


6

Article Nr	Type	SRH	Length	Centres	Deadbolt	ML	Screw	PU
10036.1600.0.2	Standard	1600 - 1800	1600	35 / 85	Yes	4	10	20
10036.1800.0.2	Standard	1800 - 2000	1800	35 / 85	Yes	4	11	20
10036.2000.0.2	Standard	2000 - 2200	2000	35 / 85	Yes	4	12	20
10037.1600.0.2	Standard	1600 - 1800	1600	28 / 85	Yes	4	10	20
10037.1800.0.2	Standard	1800 - 2000	1800	28 / 85	Yes	4	11	20
10037.2000.0.2	Standard	2000 - 2200	2000	28 / 85	Yes	4	12	20
10038.1600.0.2	Balcony	1600 - 1800	1600	35 / 85	No	4	10	20
10038.1800.0.2	Balcony	1800 - 2000	1800	35 / 85	No	4	11	20
10038.2000.0.2	Balcony	2000 - 2200	2000	35 / 85	No	4	12	20
10039.1600.0.2	Balcony	1600 - 1800	1600	28 / 85	No	4	10	20
10039.1800.0.2	Balcony	1800 - 2000	1800	28 / 85	No	4	11	20
10039.2000.0.2	Balcony	2000 - 2200	2000	28 / 85	No	4	12	20
10049.1600.0.2	Standard	1600 - 1800	1600	35 / 85	No	4	10	20
10049.1800.0.2	Standard	1800 - 2000	1800	35 / 85	No	4	11	20
10049.2000.0.2	Standard	2000 - 2200	2000	35 / 85	No	4	12	20
10050.1600.0.2	Standard	1600 - 1800	1600	28 / 85	No	4	10	20
10050.1800.0.2	Standard	1800 - 2000	1800	28 / 85	No	4	11	20
10050.2000.0.2	Standard	2000 - 2200	2000	28 / 85	No	4	12	20

Door locking plate		
Article Nr	Description	PU
10230.0000.0.*	Adjustable door locking plate	160
10231.0000.0.*	Adjustable door locking plate (plastic)	96
10036.2000.0.*	Adjustable door locking plate small	300

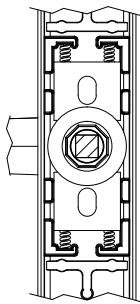
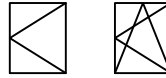
*1=White ; 2=Silver colour ; 3=Champagne ; 4=Gold colour ; 5=Bronze colour ; 6=Brown



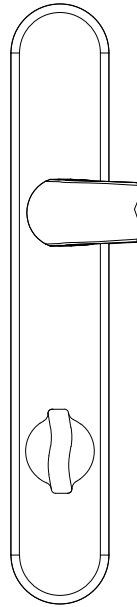
7



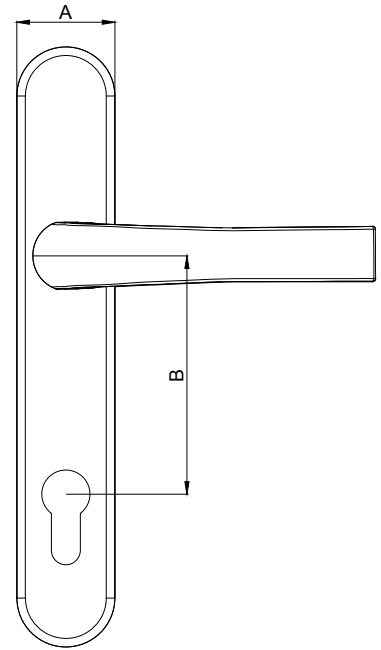
Article Nr	Description	L	PU
10200.0033.0.*	Myra window handles, 33 mm	33	60
10200.0035.0.*	Myra window handles, 35 mm	35	60
10200.0038.0.*	Myra window handles, 38 mm	38	60



With spring



WC

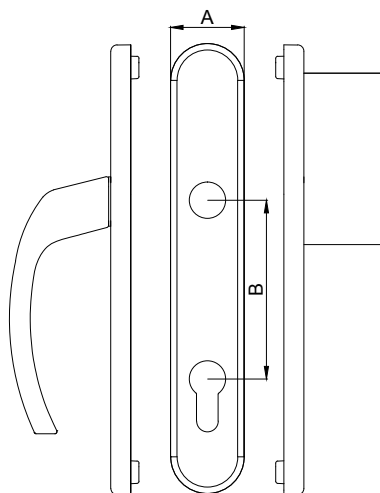
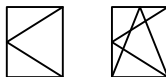


Standard

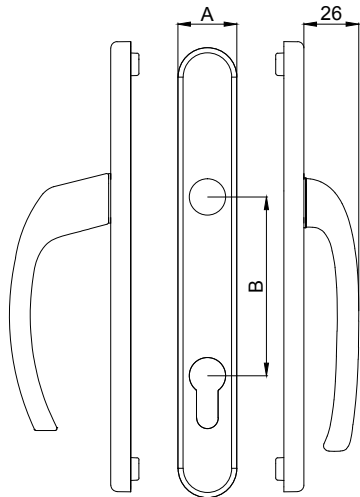


7

Article Nr	Description	Type	A	B	PU
10160.0070.0.*	Myra door handle, 70 mm	Standard	35	70	30
10160.0085.0.*	Myra door handle, 85 mm	Standard	35	85	30
10160.0092.0.*	Myra door handle, 92 mm	Standard	35	92	30
10161.0070.0.*	Myra door handle, springed, 70 mm	Standard	35	70	30
10161.0085.0.*	Myra door handle with spring, 85 mm	Standard	35	85	30
10161.0092.0.*	Myra door handle with spring, 92 mm	Standard	35	92	30
10162.0070.0.*	Myra door handle, 70 mm	Standard	28	70	30
10162.0085.0.*	Myra door handle, 85 mm	Standard	28	85	30
10162.0092.0.*	Myra door handle, 92 mm	Standard	28	92	30
10163.0070.0.*	Myra door handle with spring, 70 mm	Standard	28	70	30
10163.0085.0.*	Myra door handle with spring, 85 mm	Standard	28	85	30
10163.0092.0.*	Myra door handle with spring, 92 mm	Standard	28	92	30
10164.0090.0.*	Myra door handle WC	WC	35	90	30
10165.0090.0.*	Myra door handle with spring WC	WC	35	90	30
10166.0090.0.*	Myra door handle WC	WC	28	92	30
10167.0090.0.*	Myra door handle with spring WC	WC	28	70	30



Pull door handle



Shutter door handle

7

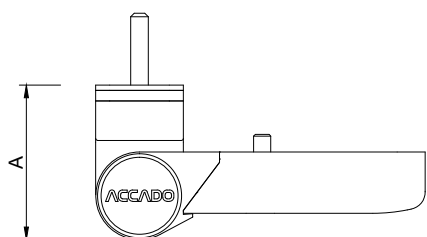
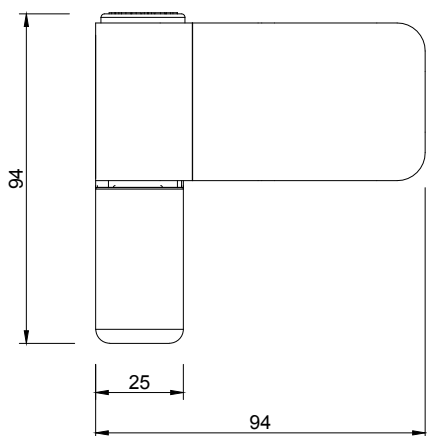
Article Nr	Description	Type	A	B	PU
10270.0070.0.*	Myra pull door handle, 70 mm	Standard	35	70	30
10270.0085.0.*	Myra pull door handle, 85 mm	Standard	35	85	30
10270.0092.0.*	Myra pull door handle, 92 mm	Standard	35	92	30
10272.0070.0.*	Myra shutter door handle, 70 mm	Standard	28	70	30
10272.0085.0.*	Myra shutter door handle, 85 mm	Standard	28	85	30
10272.0092.0.*	Myra shutter door handle, 92 mm	Standard	28	92	30

*1=White ; 2=Silver colour ; 3=Champagne ; 4=Gold colour ; 5=Bronze colour ; 6=Brown

3D Adjustable Door Hinge



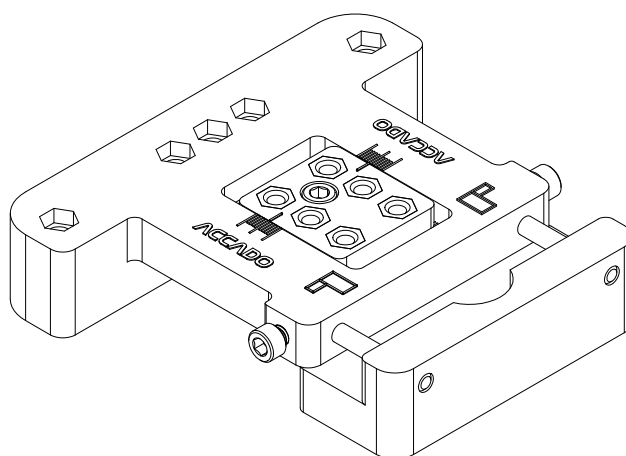
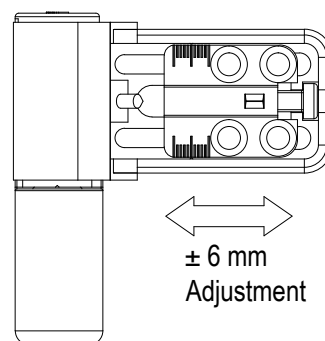
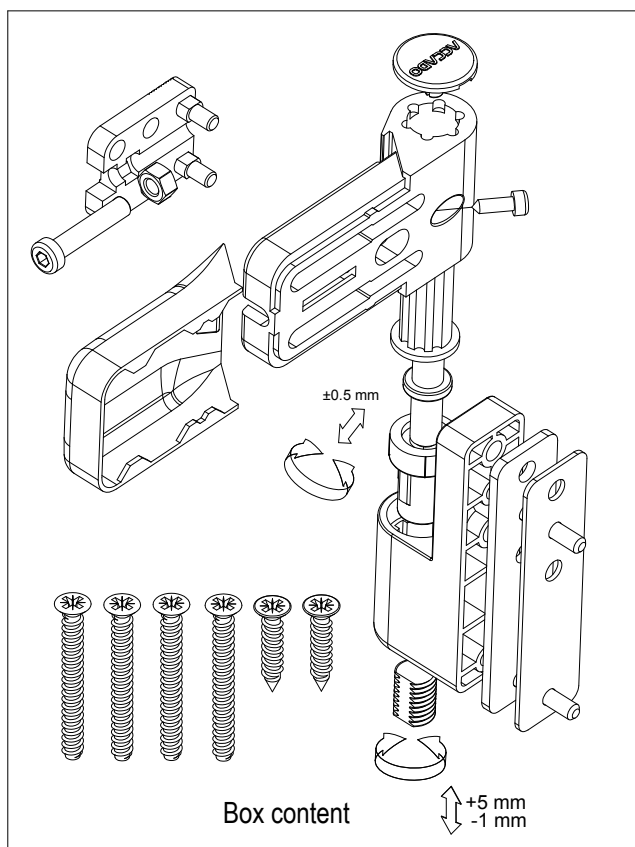
ACCADO
ACCESSORY SYSTEMS



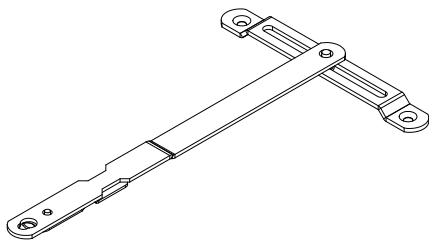
Article Nr	Description	PU
10024.0000.0.*	3D adjustable door hinge	30
10263.0000.0.9	Jig for 3D adjustable door hinge	-

*1=White ; 2=Silver colour ; 3=Champagne ; 4=Gold colour ; 5=Bronze colour ; 6=Brown

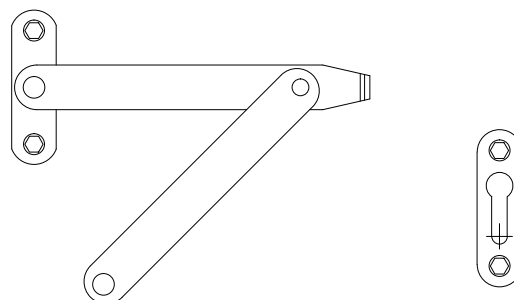
Overlap thickness	"A" dimension
12,3 - 16,3	39,3
16,3 - 20,3	43,8



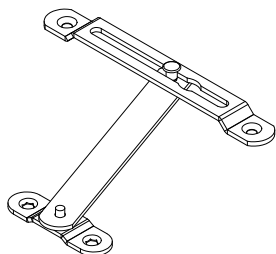
Jig for 3D adjustable door hinge



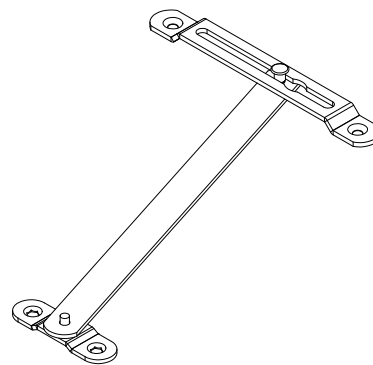
Gear linked tilt stay arm



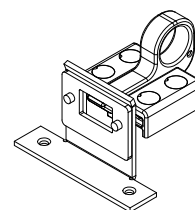
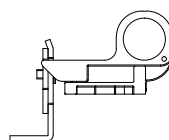
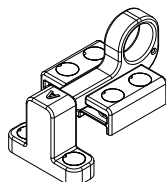
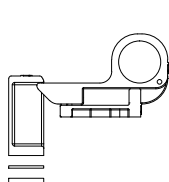
Tilt stay arm (fold)



Tilt Stay Arm - 13 cm



Tilt Stay Arm - 22 cm



Window Catch

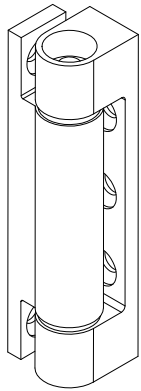
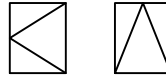
Adjustable Window Catch

8

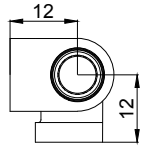
Article Nr	Description	PU
10249.0013.0.*	Tilt stay arm - 13 cm	200
10250.0022.0.*	Tilt stay arm - 22 cm	150
10251.0000.0.*	Tilt stay arm (fold)	100
10362.0000.0.*	Window Catch	200
10375.0000.0.*	Adjustable Window Catch	200
10388.0000.0.*	Gear Linked Tilt Stay Arm	100

* 1=White ; 2=Silver colour ; 3=Champagne ; 4=Gold colour ; 5=Bronze colour ; 6=Brown

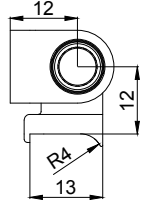
Hinges



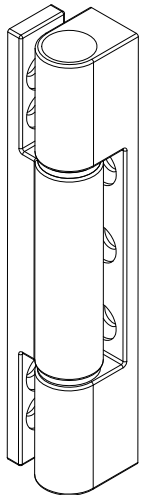
Hinge 75 mm



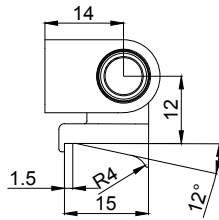
Article Nr	Description	Capacity	PU
10047.0075.0.*	75 mm Hinge	50 kg	150
10215.0075.0.*	532 - 75 mm Hinge	60 kg	150
10221.0090.0.*	532 - 90 mm Hinge	80 kg	100
10047.0100.0.*	100 mm Hinge	80 kg	100



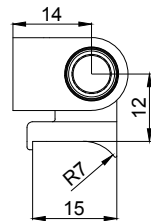
Article Nr	Description	Capacity	PU
10217.0075.0.*	632 - 75 mm Hinge	60 kg	150
10220.0090.0.*	632 - 90 mm Hinge	80 kg	100



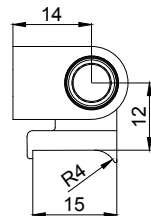
Hinge 90 / 100 mm



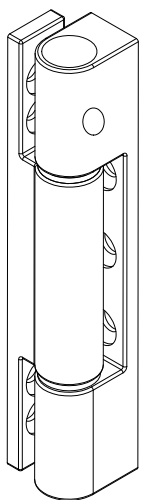
Article Nr	Description	Capacity	PU
10227.0075.0.*	752 - 75 mm Hinge	60 kg	150
10224.0090.0.*	752 - 90 mm Hinge	80 kg	100



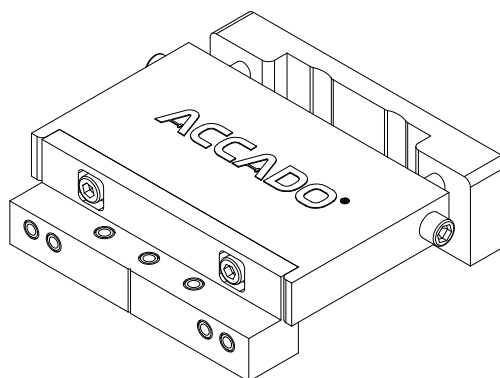
Article Nr	Description	Capacity	PU
10218.0090.0.*	80 - 90 mm Hinge	80 kg	100



Article Nr	Description	Capacity	PU
10223.0090.0.*	752- Outside opening hinge 90 mm	80 kg	100



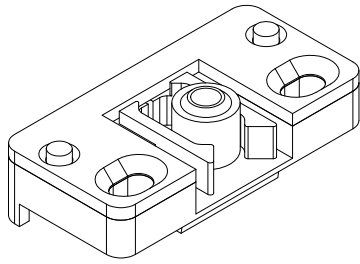
Outside opening hinge



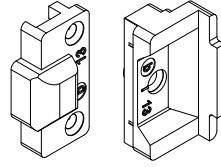
Jig for Hinge

Article Nr	Description	PU
10214.0090.0.9	Jig for hinge	-

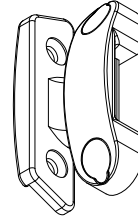
*1=White ; 2=Silver colour ; 3=Champagne ; 4=Gold colour ; 5=Bronze colour ; 6=Brown



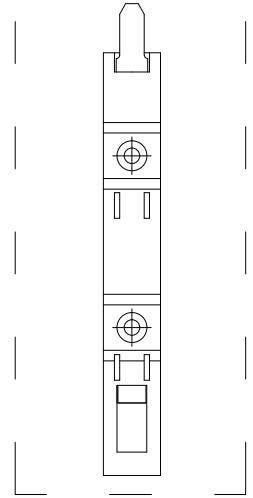
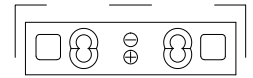
Door catch



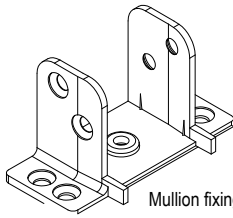
Middle hinge concealed



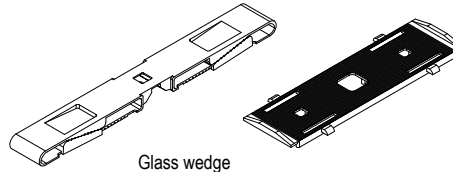
Centre rotating hinge



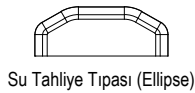
Shoot bolt



Mullion fixing block



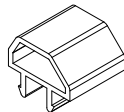
Glass wedge



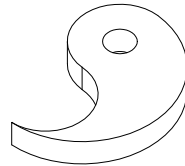
Su Tahliye Tıpası (Elipse)



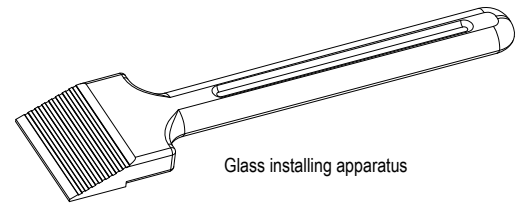
Drainage cap (Circular)



Sash lifting wedge



Door & window stopper



Glass installing apparatus

Article Nr.	Description	PU
10389.0006.0.0	Door catch	100
20285.0000.0.*	Drainage cap (elliptical)	2500
20918.0000.0.*	Drainage cap (circular)	2500
10213.0000.0.*	Middle hinge concealed	200
10256.0000.0.*	Shoot bolt	200
10363.0000.0.*	Centre rotating hinge	1000
20286.0000.0.*	Sash lifting wedge	2000
20287.0000.0.0	Double glass wedge 5 mm	5000
20288.0000.0.0	Double glass wedge 1 mm	5000
20332.0000.0.0	Glass wedge 5 mm	3000
20331.0000.0.0	Glass wedge 1 mm	5000
20354.0024.0.0	Adjustable glass wedge 18 mm	750
20339.0000.0.0	Glass wedge 60	750
20340.0000.0.0	Glass wedge 70	500
20225.0642.0.2	Mullion fixing block DKM W642	200
20229.0W70.0.2	Mullion fixing block DKM W70	200
20241.0532.0.2	Mullion fixing block DKM ISOTECH W532	300
20242.0632.0.2	Mullion fixing block DKM Yeni W632	200
20243.0532.0.2	Mullion fixing block DKM Yeni W532	200
20250.0752.0.2	Mullion fixing block DKM W752	200
20252.0750.0.2	Mullion fixing block DKM W750-1	175
20416.0000.0.0	Glass installing apparatus	50
20297.0000.0.0	Door & window stopper	100

1=White ; 2=Silver colour ; 3=Champagne ; 4=Gold colour ; 5=Bronze colour ; 6=Brown

LOCKING PLATE FOR ACCORDING TO PROFILE

NO	PROFILE	AXIS	OVERLAP HEIGHT	LOCKING PLATE	TILT LOCKING PLATE	LOCKING PLATE-SE	HORIZONTAL TILT LOCKING PLATE	LOCKING PLATE FOR SHOOT BOLT	LOCKING PLATE IS	WEDGE FOR SASH POSITIONER
1	ADOPEN / Pasifik	13	20	20270.0013.0.2	20122.0013.0.2	10266.0013.0.2	10267.0013.0.2	20204.0013.0.2	20914.0013.0.2	20915.0013.0.2
2	ADOPEN / Atlantik III	13	20	20270.0013.0.2	20122.0013.0.2	10028.0013.0.2	10030.0013.0.2	20204.0013.0.2	20124.0013.0.2	20213.0013.0.2
3	ADOPEN / Atlantik Mega	13	20	20270.0013.0.2	20122.0013.0.2	10028.0013.0.2	10030.0013.0.2	20204.0013.0.2	20124.0013.0.2	20213.0013.0.2
4	ADOPEN / Atlantik	13	20	20270.0013.0.2	20122.0013.0.2	10028.0013.0.2	10030.0013.0.2	20204.0013.0.2	20124.0013.0.2	20213.0013.0.2
5	ADOPEN / Marmara	13	20	20270.0013.0.2	20122.0013.0.2	10028.0013.0.2	10030.0013.0.2	20204.0013.0.2	20124.0013.0.2	20213.0013.0.2
6	ADOPEN / Akdeniz	13	21	20270.0013.0.2	20122.0013.0.2	10028.0013.1.2	10030.0013.1.2	20204.0013.0.2	20124.0013.1.2	20213.0013.1.2
7	AKAD (Suriye)	13	20	20270.0013.0.2	20122.0013.0.2			20204.0013.0.2		
8	AKANSUPEN / Advantage Vena	13	20	20270.0013.0.2	20122.0013.0.2	10028.0013.0.2	10030.0013.0.2	20204.0013.0.2	20124.0013.0.2	20213.0013.0.2
9	AKANSUPEN / Vena	13	20	20270.0013.0.2	20122.0013.0.2	10028.0013.0.2	10030.0013.0.2	20204.0013.0.2	20124.0013.0.2	20213.0013.0.2
10	AKANSUPEN / Super Vena	13	20	20270.0013.0.2	20122.0013.0.2	10028.0013.0.2	10030.0013.0.2	20204.0013.0.2	20124.0013.0.2	20213.0013.0.2
11	AKANSUPEN / Venart	13	20	20270.0013.0.2	20122.0013.0.2	10028.0013.0.2	10030.0013.0.2	20204.0013.0.2	20124.0013.0.2	20213.0013.0.2
12	AKANSUPEN / Bonus	13	20	20270.0013.0.2	20122.0013.0.2	10028.0013.0.2	10030.0013.0.2	20204.0013.0.2	20124.0013.0.2	20213.0013.0.2
13	AKANSUPEN / Gold	13	20	20270.0013.0.2	20122.0013.0.2	10028.0013.0.2	10030.0013.0.2	20204.0013.0.2	20124.0013.0.2	20213.0013.0.2
14	AKAPEN / Vega	13	20	20909.0013.0.2	20910.0012.0.2	10265.0013.0.2	10265.0013.0.2	20912.0013.0.2	20911.0013.0.2	20913.0013.0.2
15	AKAPEN / Libra	13	20	20909.0013.0.2	20910.0012.0.2	10264.0013.0.2	10265.0013.0.2	20912.0013.0.2	20911.0013.0.2	20913.0013.0.2
16	AKAPEN / Draco	13	20	20909.0013.0.2	20910.0012.0.2	10264.0013.0.2	10265.0013.0.2	20912.0013.0.2	20911.0013.0.2	20913.0013.0.2
17	AKAPEN / Mira	13	20	20909.0013.0.2	20910.0012.0.2	10264.0013.0.2	10265.0013.0.2	20912.0013.0.2	20911.0013.0.2	20913.0013.0.2
18	AKFA 52 mm (Özbekistan)	9	20	20268.0009.0.2	20123.0009.0.2	10027.0009.0.2	10029.0009.0.2	20220.0009.0.2	20125.0009.0.2	20214.0009.0.2
19	AKFA 60 mm (Özbekistan)	9	20	20268.0009.0.2	20123.0009.0.2	10027.0009.0.2	10029.0009.0.2	20220.0009.0.2	20125.0009.0.2	20214.0009.0.2
20	AKFA 60 mm (Özbekistan)	13	20	20270.0013.0.2	20122.0013.0.2	10028.0013.0.2	10030.0013.0.2	20204.0013.0.2	20124.0013.0.2	20213.0013.0.2
21	ALFAPEN / Armada	9	20	20268.0009.0.2	20123.0009.0.2			20220.0009.0.2		
22	ALFAPEN / Pro 7000	13	20	20270.0013.0.2	20122.0013.0.2			20204.0013.0.2		
23	ALMIMARI	13	20	20270.0013.0.2	20122.0013.0.2	10028.0013.0.2	10030.0013.0.2	20204.0013.0.2	20124.0013.0.2	20213.0013.0.2
24	ALUPLAST / Ideal 2000	13	20	20270.0013.0.2	20122.0013.0.2	10028.0013.0.2	10030.0013.0.2	20204.0013.0.2	20124.0013.0.2	20213.0013.0.2
25	ALUPLAST / Ideal 4000	13	20	20270.0013.0.2	20122.0013.0.2	10268.0013.0.2	10269.0013.0.2	20204.0013.0.2	20916.0013.0.2	20917.0013.0.2
26	ALUPLAST / Ideal 5000	13	20	20270.0013.0.2	20122.0013.0.2	10268.0013.0.2	10269.0013.0.2	20204.0013.0.2	20916.0013.0.2	20917.0013.0.2
27	ALUPLAST / Ideal 6000	13	20	20270.0013.0.2	20122.0013.0.2	10268.0013.0.2	10269.0013.0.2	20204.0013.0.2	20916.0013.0.2	20917.0013.0.2
28	ALUPLAST / Ideal 7000	13	20	20270.0013.0.2	20122.0013.0.2	10268.0013.0.2	10269.0013.0.2	20204.0013.0.2	20916.0013.0.2	20917.0013.0.2
29	ALUPLAST / Ideal 8000	13	20	20270.0013.0.2	20122.0013.0.2	10268.0013.0.2	10269.0013.0.2	20204.0013.0.2	20916.0013.0.2	20917.0013.0.2
30	ARIA (Iran)	13	20	20270.0013.0.2	20122.0013.0.2			20204.0013.0.2		
31	ASAŞPEN / 5200 Seri	9	20	20268.0009.0.2	20123.0009.0.2	10027.0009.0.2	10029.0009.0.2	20220.0009.0.2	20125.0009.0.2	20214.0009.0.2
32	ASAŞPEN / 6030 & 6040 Diamond	13	20	20270.0013.0.2	20122.0013.0.2	10028.0013.0.2	10030.0013.0.2	20204.0013.0.2	20124.0013.0.2	20213.0013.0.2
33	ASAŞPEN / 6054 Seri	13	20	20270.0013.0.2	20122.0013.0.2	10028.0013.0.2	10030.0013.0.2	20204.0013.0.2	20124.0013.0.2	20213.0013.0.2
34	ASAŞPEN / 7050 Comfort Seri	13	20	20270.0013.0.2	20122.0013.0.2	10028.0013.0.2	10030.0013.0.2	20204.0013.0.2	20124.0013.0.2	20213.0013.0.2
35	ASAŞPEN / 6022 Hayat Serisi	9	20	20268.0009.0.2	20123.0009.0.2	10027.0009.0.2	10029.0009.0.2	20220.0009.0.2	20125.0009.0.2	20214.0009.0.2
36	ASAŞPEN / 6002 Süper Serisi	9	20	20268.0009.0.2	20123.0009.0.2	10027.0009.0.2	10029.0009.0.2	20220.0009.0.2	20125.0009.0.2	20214.0009.0.2
37	ASAŞPEN / 70 mm Maxi Royal Sistem	13	20	20270.0013.0.2	20122.0013.0.2	10028.0013.0.2	10030.0013.0.2	20204.0013.0.2	20124.0013.0.2	20213.0013.0.2
38	ASAŞPEN / 80 mm Maxi Plus Sistem	13	20	20270.0013.0.2	20122.0013.0.2	10028.0013.0.2	10030.0013.0.2	20204.0013.0.2	20124.0013.0.2	20213.0013.0.2
39	ASAŞPEN / 120 mm Empire Sistem	13	20	20270.0013.0.2	20122.0013.0.2	10028.0013.0.2	10030.0013.0.2	20204.0013.0.2	20124.0013.0.2	20213.0013.0.2
40	BAUPLAST / Bau 6100	13	20	20270.0013.0.2	20122.0013.0.2	10028.0013.0.2	10030.0013.0.2	20204.0013.0.2	20124.0013.0.2	20213.0013.0.2
41	BAUPLAST / Bau 9100	13	20	20270.0013.0.2	20122.0013.0.2	10028.0013.0.2	10030.0013.0.2	20204.0013.0.2	20124.0013.0.2	20213.0013.0.2
42	BAUPLAST / Bau 7100	13	20	20270.0013.0.2	20122.0013.0.2	10028.0013.0.2	10030.0013.0.2	20204.0013.0.2	20124.0013.0.2	20213.0013.0.2
43	BRUGMANN / AD	13	20	20270.0013.0.2	20122.0013.0.2	10028.0013.0.2	10030.0013.0.2	20204.0013.0.2	20124.0013.0.2	20213.0013.0.2
44	BUTIA	13	20	20270.0013.0.2	20122.0013.0.2	10028.0013.0.2	10030.0013.0.2	20204.0013.0.2	20124.0013.0.2	20213.0013.0.2
45	EGEPEN / Zendow	13	20	20270.0013.0.2	20122.0013.0.2	10028.0013.0.2	10030.0013.0.2	20204.0013.0.2	20124.0013.0.2	20213.0013.0.2
46	EGEPEN / Everest 8848	9	20	20268.0009.0.2	20123.0009.0.2			20220.0009.0.2		
47	EGEPEN / Everest Max	13	20	20270.0013.0.2	20122.0013.0.2	10028.0013.0.2	10030.0013.0.2	20204.0013.0.2	20124.0013.0.2	20213.0013.0.2
48	ENDERPEN / Eraline	13	20	20270.0013.0.2	20122.0013.0.2	10028.0013.0.2	10030.0013.0.2	20204.0013.0.2	20124.0013.0.2	20213.0013.0.2
49	ENDERPEN / Vizyonline	13	20	20270.0013.0.2	20122.0013.0.2	10028.0013.0.2	10030.0013.0.2	20204.0013.0.2	20124.0013.0.2	20213.0013.0.2
50	ENDERPEN / Maxiline	13	20	20270.0013.0.2	20122.0013.0.2	10028.0013.0.2	10030.0013.0.2	20204.0013.0.2	20124.0013.0.2	20213.0013.0.2
51	ENDERPEN / Klasline	13	20	20270.0013.0.2	20122.0013.0.2	10028.0013.0.2	10030.0013.0.2	20204.0013.0.2	20124.0013.0.2	20213.0013.0.2
52	ENDERPEN / Klascompact	13	20	20270.0013.0.2	20122.0013.0.2	10028.0013.0.2	10030.0013.0.2	20204.0013.0.2	20124.0013.0.2	20213.0013.0.2
53	ENDERPEN / Masterline	13	20	20270.0013.0.2	20122.0013.0.2	10028.0013.0.2	10030.0013.0.2	20204.0013.0.2	20124.0013.0.2	20213.0013.0.2
54	ERPEN / Extraline 54	13	20	20909.0013.0.2	20910.0012.0.2	10264.0013.0.2	10265.0013.0.2	20912.0013.0.2	20911.0013.0.2	20913.0013.0.2
55	ERPEN / Smartline 62	13	20	20909.0013.0.2	20910.0012.0.2	10264.0013.0.2	10265.0013.0.2	20912.0013.0.2	20911.0013.0.2	20913.0013.0.2
56	ERPEN / Combiline 72	13	20	20909.0013.0.2	20910.0012.0.2	10264.0013.0.2	10265.0013.0.2	20912.0013.0.2	20911.0013.0.2	20913.0013.0.2
57	ERPEN / Multiline 82	13	20	20909.0013.0.2	20910.0012.0.2	10264.0013.0.2	10265.0013.0.2	20912.0013.0.2	20911.0013.0.2	20913.0013.0.2
58	ESENPEN / Titanyum 70	13	20	20270.0013.0.2	20122.0013.0.2	10028.0013.0.2	10030.0013.0.2	20204.0013.0.2	20124.0013.0.2	20213.0013.0.2
59	ESENPEN / Milenyum	13	20	20270.0013.0.2	20122.0013.0.2	10028.0013.0.2	10030.0013.0.2	20204.0013.0.2	20124.0013.0.2	20213.0013.0.2
60	ESENPEN / W-Best	9	20	20268.0009.0.2	20123.0009.0.2			20220.0009.0.2		
61	EUROLINE / S56 Comfort	13	20	20270.0013.0.2	20122.0013.0.2	10028.0013.0.2	10030.0013.0.2	20204.0013.0.2	20124.0013.0.2	20213.0013.0.2
62	EUROLINE / S60 Luxe	13	20	20270.0013.0.2	20122.0013.0.2	10028.0013.0.2	10030.0013.0.2	20204.0013.0.2	20124.0013.0.2	20213.0013.0.2
63	EUROLINE / S60 Deluxe	13	20	20270.0013.0.2	20122.0013.0.2	10028.0013.0.2	10030.0013.0.2	20204.0013.0.2	20124.0013.0.2	20213.0013.0.2
64	EUROLINE / S70 Deluxe	13	20	20270.0013.0.2	20122.0013.0.2	10028.0013.0.2	10030.0013.0.2	20204.0013.0.2	20124.0013.0.2	20213.0013.0.2
65	EUROPEN / Dorlon	13	20	20270.0013.0.2	20122.0013.0.2	10028.0013.0.2	10030.0013.0.2	20204.0013.0.2	20124.0013.0.2	20213.0013.0.2
66	EUROPEN / Elltex	9	20	20268.0009.0.2	20123.0009.0.2	10027.0009.0.2	10029.0009.0.2	20220.0009.0.2	20125.0009.0.2	20214.0009.0.2

LOCKING PLATE FOR ACCORDING TO PROFILE

NO	PROFILE	AXIS	OVERLAP HEIGHT	LOCKING PLATE	TILT LOCKING PLATE	LOCKING PLATE-SE	HORIZONTAL TILT LOCKING PLATE	LOCKING PLATE FOR SHOOT BOLT	LOCKING PLATE IS	WEDGE FOR SASH POSITIONER
67	EUROPEN / Fiesta	13	20	20270.0013.0.2	20122.0013.0.2	10028.0013.0.2	10030.0013.0.2	20204.0013.0.2	20124.0013.0.2	20213.0013.0.2
68	EUROPEN / Light	9	20	20268.0009.0.2	20123.0009.0.2	10027.0009.0.2	10029.0009.0.2	20220.0009.0.2	20125.0009.0.2	20214.0009.0.2
69	FILPEN / Gold 60	13	20	20270.0013.0.2	20122.0013.0.2	10028.0013.0.2	10030.0013.0.2	20204.0013.0.2	20124.0013.0.2	20213.0013.0.2
70	FILPEN / Gold 70	13	20	20270.0013.0.2	20122.0013.0.2	10028.0013.0.2	10030.0013.0.2	20204.0013.0.2	20124.0013.0.2	20213.0013.0.2
71	FILPEN / Gold 80	13	20	20270.0013.0.2	20122.0013.0.2	10028.0013.0.2	10030.0013.0.2	20204.0013.0.2	20124.0013.0.2	20213.0013.0.2
72	FIRATPEN / S80	9	20	20268.0009.0.2	20123.0009.0.2	10027.0009.0.2	10029.0009.0.2	20220.0009.0.2	20125.0009.0.2	20214.0009.0.2
73	FIRATPEN / S75	9	20	20268.0009.0.2	20123.0009.0.2	10027.0009.0.2	10029.0009.0.2	20220.0009.0.2	20125.0009.0.2	20214.0009.0.2
74	FIRATPEN / S70	9	20	20268.0009.0.2	20123.0009.0.2	10027.0009.0.2	10029.0009.0.2	20220.0009.0.2	20125.0009.0.2	20214.0009.0.2
75	GEALAN / S3000	13	20	20909.0013.0.2	20910.0012.0.2	10264.0013.0.2	10265.0013.0.2	20912.0013.0.2	20911.0013.0.2	20913.0013.0.2
76	GEALAN / S7000 IQ	13	20	20909.0013.0.2	20910.0012.0.2	10264.0013.0.2	10265.0013.0.2	20912.0013.0.2	20911.0013.0.2	20913.0013.0.2
77	GEALAN / S8000 IQ	13	20	20909.0013.0.2	20910.0012.0.2	10264.0013.0.2	10265.0013.0.2	20912.0013.0.2	20911.0013.0.2	20913.0013.0.2
78	HOMARESHANTAN (Iran)	13	20	20270.0013.0.2	20122.0013.0.2	10028.0013.0.2	10030.0013.0.2	20204.0013.0.2	20124.0013.0.2	20213.0013.0.2
79	KALPEN / K 7000	13	20	20270.0013.0.2	20122.0013.0.2	10028.0013.0.2	10030.0013.0.2	20204.0013.0.2	20124.0013.0.2	20213.0013.0.2
80	KALPEN / K 6700	13	20	20270.0013.0.2	20122.0013.0.2	10028.0013.0.2	10030.0013.0.2	20204.0013.0.2	20124.0013.0.2	20213.0013.0.2
81	KALPEN / K 6000	13	20	20270.0013.0.2	20122.0013.0.2	10028.0013.0.2	10030.0013.0.2	20204.0013.0.2	20124.0013.0.2	20213.0013.0.2
82	KBE / AD	9	20	20268.0009.0.2	20123.0009.0.2			20220.0009.0.2		
83	KBE / AD 70mm	13	20	20270.0013.0.2	20122.0013.0.2	10266.0013.0.2	10267.0013.0.2	20204.0013.0.2	20914.0013.0.2	20915.0013.0.2
84	KOMMERLING / EURODUR 3S	13	20	20270.0013.0.2	20122.0013.0.2	10266.0013.0.2	10267.0013.0.2	20204.0013.0.2	20914.0013.0.2	20915.0013.0.2
85	KOMMERLING / EUROFUTUR	13	20	20270.0013.0.2	20122.0013.0.2	10266.0013.0.2	10267.0013.0.2	20204.0013.0.2	20914.0013.0.2	20915.0013.0.2
86	KOMPEN / KOM 500 Starline	9	20	20268.0009.0.2	20123.0009.0.2			20220.0009.0.2		
87	KOMPEN / KOM 600 Thermoline	13	20	20270.0013.0.2	20122.0013.0.2	10266.0013.0.2	10267.0013.0.2	20204.0013.0.2	20914.0013.0.2	20915.0013.0.2
88	KOMPEN / KOM 700 Primeline	13	20	20270.0013.0.2	20122.0013.0.2	10266.0013.0.2	10267.0013.0.2	20204.0013.0.2	20914.0013.0.2	20915.0013.0.2
89	KOMPEN / KOM 900	13	20	20270.0013.0.2	20122.0013.0.2	10266.0013.0.2	10267.0013.0.2	20204.0013.0.2	20914.0013.0.2	20915.0013.0.2
90	KOMPEN / KOM 950	13	20	20270.0013.0.2	20122.0013.0.2	10266.0013.0.2	10267.0013.0.2	20204.0013.0.2	20914.0013.0.2	20915.0013.0.2
91	MIROPLAST / WDS 505 (Ukrayna)	13	20	20270.0013.0.2	20122.0013.0.2	10028.0013.0.2	10030.0013.0.2	20204.0013.0.2	20124.0013.0.2	20213.0013.0.2
92	MIROPLAST / WDS 404 (Ukrayna)	13	20	20270.0013.0.2	20122.0013.0.2	10028.0013.0.2	10030.0013.0.2	20204.0013.0.2	20124.0013.0.2	20213.0013.0.2
93	MIROPLAST / WDS 400 (Ukrayna)	13	20	20270.0013.0.2	20122.0013.0.2	10028.0013.0.2	10030.0013.0.2	20204.0013.0.2	20124.0013.0.2	20213.0013.0.2
94	MIROPLAST / WDS 303 (Ukrayna)	13	20	20270.0013.0.2	20122.0013.0.2	10028.0013.0.2	10030.0013.0.2	20204.0013.0.2	20124.0013.0.2	20213.0013.0.2
95	NATURELPEN / N5400	13	20	20270.0013.0.2	20122.0013.0.2	10266.0013.0.2	10267.0013.0.2	20204.0013.0.2	20914.0013.0.2	20915.0013.0.2
96	NATURELPEN / N6000	13	20	20270.0013.0.2	20122.0013.0.2	10266.0013.0.2	10267.0013.0.2	20204.0013.0.2	20914.0013.0.2	20915.0013.0.2
97	NATURELPEN / N6400	13	20	20270.0013.0.2	20122.0013.0.2	10266.0013.0.2	10267.0013.0.2	20204.0013.0.2	20914.0013.0.2	20915.0013.0.2
98	NATURELPEN / N7000	13	20	20270.0013.0.2	20122.0013.0.2	10266.0013.0.2	10267.0013.0.2	20204.0013.0.2	20914.0013.0.2	20915.0013.0.2
99	PAKPEN / Optimal	13	20	20909.0013.0.2	20910.0012.0.2	10264.0013.0.2	10265.0013.0.2	20912.0013.0.2	20911.0013.0.2	20913.0013.0.2
100	PAKPEN / Rival	13	20	20909.0013.0.2	20910.0012.0.2	10264.0013.0.2	10265.0013.0.2	20912.0013.0.2	20911.0013.0.2	20913.0013.0.2
101	PAKPEN / Global	13	20	20909.0013.0.2	20910.0012.0.2	10264.0013.0.2	10265.0013.0.2	20912.0013.0.2	20911.0013.0.2	20913.0013.0.2
102	PENSA / Avantaj	13	20	20270.0013.0.2	20122.0013.0.2	10266.0013.0.2	10267.0013.0.2	20204.0013.0.2	20914.0013.0.2	20915.0013.0.2
103	PENSA / Bonus	13	20	20270.0013.0.2	20122.0013.0.2	10266.0013.0.2	10267.0013.0.2	20204.0013.0.2	20914.0013.0.2	20915.0013.0.2
104	PENSA / Deluxe	13	20	20270.0013.0.2	20122.0013.0.2	10266.0013.0.2	10267.0013.0.2	20204.0013.0.2	20914.0013.0.2	20915.0013.0.2
105	PENSA / Lux	13	20	20270.0013.0.2	20122.0013.0.2	10266.0013.0.2	10267.0013.0.2	20204.0013.0.2	20914.0013.0.2	20915.0013.0.2
106	PENSA / Premier	13	20	20270.0013.0.2	20122.0013.0.2	10266.0013.0.2	10267.0013.0.2	20204.0013.0.2	20914.0013.0.2	20915.0013.0.2
107	PENSA / Sila 60	13	20	20270.0013.0.2	20122.0013.0.2	10266.0013.0.2	10267.0013.0.2	20204.0013.0.2	20914.0013.0.2	20915.0013.0.2
108	PENSA / Sila 50	13	20	20270.0013.0.2	20122.0013.0.2	10266.0013.0.2	10267.0013.0.2	20204.0013.0.2	20914.0013.0.2	20915.0013.0.2
109	PENSA / Ultra	13	20	20270.0013.0.2	20122.0013.0.2	10266.0013.0.2	10267.0013.0.2	20204.0013.0.2	20914.0013.0.2	20915.0013.0.2
110	PIMAPEN / S-7500 Fantasia	13	20	20270.0013.0.2	20122.0013.0.2	10028.0013.0.2	10030.0013.0.2	20204.0013.0.2	20124.0013.0.2	20213.0013.0.2
111	PIMAPEN / S-7000 Maksimus	13	20	20270.0013.0.2	20122.0013.0.2			20204.0013.0.2		
112	PIMAPEN / S-7000 Horizon	13	20	20270.0013.0.2	20122.0013.0.2			20204.0013.0.2		
113	PIMAPEN / S-6000 Quadro	13	20	20270.0013.0.2	20122.0013.0.2	10028.0013.0.2	10030.0013.0.2	20204.0013.0.2	20124.0013.0.2	20213.0013.0.2
114	PLASPEN / P 80	13	20	20270.0013.0.2	20122.0013.0.2			20204.0013.0.2		
115	PLASPEN / P 750	13	20	20270.0013.0.2	20122.0013.0.2	10028.0013.0.2	10030.0013.0.2	20204.0013.0.2	20124.0013.0.2	20213.0013.0.2
116	PLASPEN / P 430	9	20	20268.0009.0.2	20123.0009.0.2	10027.0009.0.2	10029.0009.0.2	20220.0009.0.2	20125.0009.0.2	20214.0009.0.2
117	PROKAL / Ova	13	20	20270.0013.0.2	20122.0013.0.2	10028.0013.0.2	10030.0013.0.2	20204.0013.0.2	20124.0013.0.2	20213.0013.0.2
118	PROKAL / Damla	13	20	20270.0013.0.2	20122.0013.0.2	10028.0013.0.2	10030.0013.0.2	20204.0013.0.2	20124.0013.0.2	20213.0013.0.2
119	PROKAL / P70	13	20	20270.0013.0.2	20122.0013.0.2	10028.0013.0.2	10030.0013.0.2	20204.0013.0.2	20124.0013.0.2	20213.0013.0.2
120	PROPEN / PRO 60	13	20	20270.0013.0.2	20122.0013.0.2	10028.0013.0.2	10030.0013.0.2	20204.0013.0.2	20124.0013.0.2	20213.0013.0.2
121	PROPEN / PRO 70	13	20	20270.0013.0.2	20122.0013.0.2	10028.0013.0.2	10030.0013.0.2	20204.0013.0.2	20124.0013.0.2	20213.0013.0.2
122	PROPEN / PRO 80	13	20	20270.0013.0.2	20122.0013.0.2	10028.0013.0.2	10030.0013.0.2	20204.0013.0.2	20124.0013.0.2	20213.0013.0.2
123	REHAU / Geneo	13	20	20270.0013.0.2	20122.0013.0.2	10268.0013.0.2	10269.0013.0.2	20204.0013.0.2	20916.0013.0.2	20917.0013.0.2
124	REHAU / Brilliant	13	20	20270.0013.0.2	20122.0013.0.2	10268.0013.0.2	10269.0013.0.2	20204.0013.0.2	20916.0013.0.2	20917.0013.0.2
125	REHAU / Euro-Design 70	13	20	20270.0013.0.2	20122.0013.0.2	10268.0013.0.2	10269.0013.0.2	20204.0013.0.2	20916.0013.0.2	20917.0013.0.2
126	REHAU / Euro-Design 60	13	20	20270.0013.0.2	20122.0013.0.2	10268.0013.0.2	10269.0013.0.2	20204.0013.0.2	20916.0013.0.2	20917.0013.0.2
127	RESMAN / RS 6000	13	20	20270.0013.0.2	20122.0013.0.2	10028.0013.0.2	10030.0013.0.2	20204.0013.0.2	20124.0013.0.2	20213.0013.0.2
128	ROPLASTO / 7001	13	20	20270.0013.0.2	20122.0013.0.2	10266.0013.0.2	10267.0013.0.2	20204.0013.0.2	20914.0013.0.2	20915.0013.0.2
129	SALAMANDER / Streamline	13	20	20270.0013.0.2	20122.0013.0.2	10268.0013.1.2	10269.0013.1.2	20204.0013.0.2	20916.0013.1.2	20917.0013.1.2
130	SALAMANDER / AD	13	20	20270.0013.0.2	20122.0013.0.2	10268.0013.1.2	10269.0013.1.2	20204.0013.0.2	20916.0013.1.2	20917.0013.1.2
131	SALAMANDER / MD	13	20	20270.0013.0.2	20122.0013.0.2	10268.0013.1.2	10269.0013.1.2	20204.0013.0.2	20916.0013.1.2	20917.0013.1.2
132	SALAMANDER / 3D	13	20	20270.0013.0.2	20122.0013.0.2	10268.0013.1.2	10269.0013.1.2	20204.0013.0.2	20916.0013.1.2	20917.0013.1.2

LOCKING PLATE FOR ACCORDING TO PROFILE



NO	PROFILE	AXIS	OVERLAP HEIGHT	LOCKING PLATE	TILT LOCKING PLATE	LOCKING PLATE-SE	HORIZONTAL TILT LOCKING PLATE	LOCKING PLATE FOR SHOOT BOLT	LOCKING PLATE IS	WEDGE FOR SASH POSITIONER
133	SALAMANDER / 2D	13	20	20270.0013.0.2	20122.0013.0.2	10268.0013.1.2	10269.0013.1.2	20204.0013.0.2	20916.0013.1.2	20917.0013.1.2
134	SARAYPEN / S600	13	20	20270.0013.0.2	20122.0013.0.2	10028.0013.0.2	10030.0013.0.2	20204.0013.0.2	20124.0013.0.2	20213.0013.0.2
135	SARAYPEN / S360	13	20	20270.0013.0.2	20122.0013.0.2	10028.0013.0.2	10030.0013.0.2	20204.0013.0.2	20124.0013.0.2	20213.0013.0.2
136	SARAYPEN / S460	13	20	20270.0013.0.2	20122.0013.0.2	10028.0013.0.2	10030.0013.0.2	20204.0013.0.2	20124.0013.0.2	20213.0013.0.2
137	SARAYPEN / S7000 Premium	13	20	20270.0013.0.2	20122.0013.0.2	10028.0013.0.2	10030.0013.0.2	20204.0013.0.2	20124.0013.0.2	20213.0013.0.2
138	SCHONLINE / ECOLINE 60	13	20	20270.0013.0.2	20122.0013.0.2			20204.0013.0.2		
139	SCHONLINE / LINE 60	13	20	20270.0013.0.2	20122.0013.0.2			20204.0013.0.2		
140	SCHONLINE / LINE 70	13	20	20270.0013.0.2	20122.0013.0.2			20204.0013.0.2		
141	SECPEN / Firsline 70	13	20	20270.0013.0.2	20122.0013.0.2			20204.0013.0.2		
142	SECPEN / Ultraline	13	20	20270.0013.0.2	20122.0013.0.2			20204.0013.0.2		
143	SCHUCO / Corona AS 60	13	20	20270.0013.0.2	20122.0013.0.2	10268.0013.0.2	10269.0013.0.2	20204.0013.0.2	20916.0013.0.2	20917.0013.0.2
144	SCHUCO / Corona CT 70	13	20	20270.0013.0.2	20122.0013.0.2	10268.0013.2.2	10269.0013.2.2	20204.0013.0.2	20916.0013.2.2	20917.0013.2.2
145	SCHUCO / Corona SI 82	13	20	20270.0013.0.2	20122.0013.0.2	10268.0013.2.2	10269.0013.2.2	20204.0013.0.2	20916.0013.2.2	20917.0013.2.2
146	TAURUS / Silver	13	20	20270.0013.0.2	20122.0013.0.2	10028.0013.0.2	10030.0013.0.2	20204.0013.0.2	20124.0013.0.2	20213.0013.0.2
147	TAURUS / Best	13	20	20270.0013.0.2	20122.0013.0.2	10028.0013.0.2	10030.0013.0.2	20204.0013.0.2	20124.0013.0.2	20213.0013.0.2
148	TAURUS / Platin	13	20	20270.0013.0.2	20122.0013.0.2	10028.0013.0.2	10030.0013.0.2	20204.0013.0.2	20124.0013.0.2	20213.0013.0.2
149	TECNOPLAS / Startec	13	20	20270.0013.0.2	20122.0013.0.2	10028.0013.0.2	10030.0013.0.2	20204.0013.0.2	20124.0013.0.2	20213.0013.0.2
150	TECNOPLAS / Megatec	13	20	20270.0013.0.2	20122.0013.0.2	10028.0013.0.2	10030.0013.0.2	20204.0013.0.2	20124.0013.0.2	20213.0013.0.2
151	TECNOPLAS / Supertec	13	20	20270.0013.0.2	20122.0013.0.2	10028.0013.0.2	10030.0013.0.2	20204.0013.0.2	20124.0013.0.2	20213.0013.0.2
152	TECNOPLAS / Ultratec	13	20	20270.0013.0.2	20122.0013.0.2	10028.0013.0.2	10030.0013.0.2	20204.0013.0.2	20124.0013.0.2	20213.0013.0.2
153	TROCAL / CONFORT	13	20	20270.0013.0.2	20122.0013.0.2	10268.0013.0.2	10269.0013.0.2	20204.0013.0.2	20916.0013.0.2	20917.0013.0.2
154	UNIPLAST / Ecolium	13	20	20270.0013.0.2	20122.0013.0.2			20204.0013.0.2		
155	UNIPLAST / Mondial	13	20	20270.0013.0.2	20122.0013.0.2			20204.0013.0.2		
156	UNIPLAST / Premium	13	20	20270.0013.0.2	20122.0013.0.2			20204.0013.0.2		
157	VEKA / Alphaline	13	20	20270.0013.0.2	20122.0013.0.2	10028.0013.0.2	10030.0013.0.2	20204.0013.0.2	20124.0013.0.2	20213.0013.0.2
158	VEKA / Topline AD	13	20	20270.0013.0.2	20122.0013.0.2	10028.0013.0.2	10030.0013.0.2	20204.0013.0.2	20124.0013.0.2	20213.0013.0.2
159	VEKA / Softline 70 AD	13	20	20270.0013.0.2	20122.0013.0.2	10028.0013.0.2	10030.0013.0.2	20204.0013.0.2	20124.0013.0.2	20213.0013.0.2
160	VEKA / Swingline	13	20	20270.0013.0.2	20122.0013.0.2	10028.0013.0.2	10030.0013.0.2	20204.0013.0.2	20124.0013.0.2	20213.0013.0.2
161	VEKA / Topline plus	13	20	20270.0013.0.2	20122.0013.0.2	10028.0013.0.2	10030.0013.0.2	20204.0013.0.2	20124.0013.0.2	20213.0013.0.2
162	VEKA / Softline 70 MD	13	20	20270.0013.0.2	20122.0013.0.2	10028.0013.0.2	10030.0013.0.2	20204.0013.0.2	20124.0013.0.2	20213.0013.0.2
163	VISTABEST (Iran)	13	20	20270.0013.0.2	20122.0013.0.2			20204.0013.0.2		
164	WEISS PROFIL / 3 chamber	9	20	20268.0009.0.2	20123.0009.0.2	10027.0009.0.2	10029.0009.0.2	20220.0009.0.2	20125.0009.0.2	20214.0009.0.2
165	WEISS PROFIL / 3 chamber new	13	20	20270.0013.0.2	20122.0013.0.2	10028.0013.0.2	10030.0013.0.2	20204.0013.0.2	20124.0013.0.2	20213.0013.0.2
166	WEISS PROFIL / 4 chamber	9	20	20268.0009.0.2	20123.0009.0.2	10027.0009.0.2	10029.0009.0.2	20220.0009.0.2	20125.0009.0.2	20214.0009.0.2
167	WEISS PROFIL / 5 chamber	13	20	20270.0013.0.2	20122.0013.0.2	10028.0013.0.2	10030.0013.0.2	20204.0013.0.2	20124.0013.0.2	20213.0013.0.2
168	WINHOUSE / S60	9	20	20268.0009.0.2	20123.0009.0.2	10027.0009.0.2	10029.0009.0.2	20220.0009.0.2	20125.0009.0.2	20214.0009.0.2
169	WINHOUSE / S70	9	20	20268.0009.0.2	20123.0009.0.2	10027.0009.0.2	10029.0009.0.2	20220.0009.0.2	20125.0009.0.2	20214.0009.0.2
170	WINHOUSE / S75	9	20	20268.0009.0.2	20123.0009.0.2	10027.0009.0.2	10029.0009.0.2	20220.0009.0.2	20125.0009.0.2	20214.0009.0.2
171	WINHOUSE / S80	9	20	20268.0009.0.2	20123.0009.0.2	10027.0009.0.2	10029.0009.0.2	20220.0009.0.2	20125.0009.0.2	20214.0009.0.2
172	WINSA / Dorado	13	20	20270.0013.0.2	20122.0013.0.2	10266.0013.0.2	10267.0013.0.2	20204.0013.0.2	20914.0013.0.2	20915.0013.0.2
173	WINSA / Carina	13	20	20270.0013.0.2	20122.0013.0.2	10266.0013.0.2	10267.0013.0.2	20204.0013.0.2	20914.0013.0.2	20915.0013.0.2
174	WINSA / Safir	13	20	20270.0013.0.2	20122.0013.0.2	10266.0013.0.2	10267.0013.0.2	20204.0013.0.2	20914.0013.0.2	20915.0013.0.2
175	WINTECH / W80	13	20	20270.0013.0.2	20122.0013.0.2	10266.0013.0.2	10267.0013.0.2	20204.0013.0.2	20914.0013.0.2	20915.0013.0.2
176	WINTECH / W790	13	20	20270.0013.0.2	20122.0013.0.2	10028.0013.0.2	10030.0013.0.2	20204.0013.0.2	20124.0013.0.2	20213.0013.0.2
177	WINTECH / W777	13	20	20270.0013.0.2	20122.0013.0.2	10028.0013.0.2	10030.0013.0.2	20204.0013.0.2	20124.0013.0.2	20213.0013.0.2
178	WINTECH / W752	13	20	20270.0013.0.2	20122.0013.0.2	10028.0013.0.2	10030.0013.0.2	20204.0013.0.2	20124.0013.0.2	20213.0013.0.2
179	WINTECH / W750	13	20	20270.0013.0.2	20122.0013.0.2	10028.0013.0.2	10030.0013.0.2	20204.0013.0.2	20124.0013.0.2	20213.0013.0.2
180	WINTECH / W442	9	20	20268.0009.0.2	20123.0009.0.2	10027.0009.0.2	10029.0009.0.2	20220.0009.0.2	20125.0009.0.2	20214.0009.0.2
181	WINTECH / W642	13	20	20270.0013.0.2	20122.0013.0.2	10028.0013.0.2	10030.0013.0.2	20204.0013.0.2	20124.0013.0.2	20213.0013.0.2
182	WINTECH / W632	13	21	20270.0013.0.2	20122.0013.0.2	10028.0013.1.2	10030.0013.1.2	20204.0013.0.2	20124.0013.1.2	20213.0013.1.2
183	WINTECH / W530	13	21	20270.0013.0.2	20122.0013.0.2	10028.0013.1.2	10030.0013.1.2	20204.0013.0.2	20124.0013.1.2	20213.0013.1.2
184	WINTECH / W433	9	20	20268.0009.0.2	20123.0009.0.2	10027.0009.0.2	10029.0009.0.2	20220.0009.0.2	20125.0009.0.2	20214.0009.0.2
185	WINTECH / W432	9	20	20268.0009.0.2	20123.0009.0.2	10027.0009.0.2	10029.0009.0.2	20220.0009.0.2	20125.0009.0.2	20214.0009.0.2
186	WINTECH / W430	9	20	20268.0009.0.2	20123.0009.0.2	10027.0009.0.2	10029.0009.0.2	20220.0009.0.2	20125.0009.0.2	20214.0009.0.2
187	WINTECH / Plaswin	13	20	20270.0013.0.2	20122.0013.0.2	10028.0013.0.2	10030.0013.0.2	20204.0013.0.2	20124.0013.0.2	20213.0013.0.2
188	WINTECH / Winopen	13	20	20270.0013.0.2	20122.0013.0.2	10028.0013.0.2	10030.0013.0.2	20204.0013.0.2	20124.0013.0.2	20213.0013.0.2
189	WINTECH / Pentech	9	20	20268.0009.0.2	20123.0009.0.2	10027.0009.0.2	10029.0009.0.2	20220.0009.0.2	20125.0009.0.2	20214.0009.0.2
190	WINTECH / W332	9	20	20268.0009.0.2	20123.0009.0.2	10027.0009.0.2	10029.0009.0.2	20220.0009.0.2	20125.0009.0.2	20214.0009.0.2
191	WINTECH / W330	9	20	20268.0009.0.2	20123.0009.0.2	10027.0009.0.2	10029.0009.0.2	20220.0009.0.2	20125.0009.0.2	20214.0009.0.2
192	YELPEN / Unique	9	20	20268.0009.0.2	20123.0009.0.2			20220.0009.0.2		
193	YELPEN / Smart	9	20	20268.0009.0.2	20123.0009.0.2			20220.0009.0.2		
194	YELPEN / Esthetic	9	20	20268.0009.0.2	20123.0009.0.2	10027.0009.0.2	10029.0009.0.2	20220.0009.0.2	20125.0009.0.2	20214.0009.0.2
195	YILDIZPEN / 6000	9	20	20268.0009.0.2	20123.0009.0.2			20220.0009.0.2		
196	YILDIZPEN / 6000S	13	20	20270.0013.0.2	20122.0013.0.2			20204.0013.0.2		
197	YILDIZPEN / 7000	13	20	20270.0013.0.2	20122.0013.0.2			20204.0013.0.2		